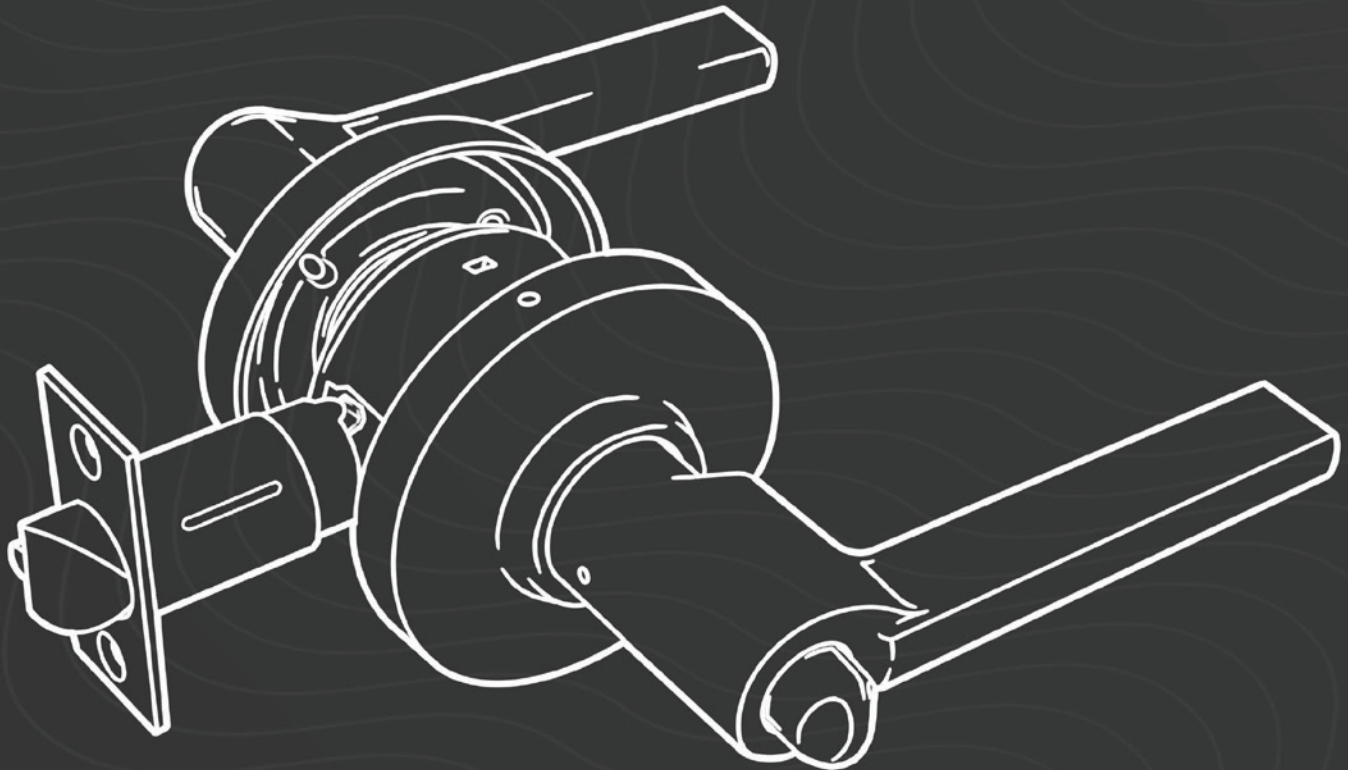




LOCKSETS

PRICELIST VERSION 2025



04/25 VERSION NO.
01
PUBLISHED



ATSI Technical Services, Inc.
6174 State Route 88, Finleyville, PA 15332

Locksets
L1 – L130

- Office: 724-969-2595
- Cell/Text: 703-283-6192 • Fax: 413-677-7814
- Email: Sales@assatechnicalservicesinc.com



TABLE OF CONTENTS

I. GRADE 1

MORTISE

NM Series

Electrified..... L18
 Deadbolt..... L16
 Escutcheon..... L6-L15
 Sectional..... L1-L5

SC Series

Electrified..... L25-L25A
 Deadbolt..... L23
 Escutcheon..... L21-L22
 Sectional..... L19-L20
 Hospital Latch (HL Series)..... L26
 Ligature Resistant (LG Series)..... L27-L28

TUBULAR

HOSPP Series..... L31

CYLINDRICAL

Genesys Series..... L32-L38
 Genesys Series **Electrified**..... L39
 Calypso Series..... L41
 LRC Series (Ligature Resistant)..... L42
 Omega GRB Series..... L44

DEADBOLTS

CRB800 Series..... L78

II. GRADE 2

MECHANICAL

CRCODE200 Series..... L67

TUBULAR

Grand Series..... L65

CYLINDRICAL

Pioneer Series..... L48-L50
 Explorer Series..... L52-L54
 Tuscany Series..... L56
 Commander Series..... L58
 Challenger Series..... L60-L63
 Guardian Series..... L66-A
 Barrington BA Series..... L68-L69

INTERCONNECTED

HIL Series..... L72
 JHIL Series..... L73
 CIL Series..... L74

DEADBOLT

T300 Series..... L80
 SQ300 Series..... L82
 CB160 Series..... L84
 IND90-G2 Indicator Deadbolts..... L86

III. GRADE 3

MORTISE

Italia Series (NM)..... L114

CYLINDRICAL

Columbus Series..... L71
 Epic Series..... L76

DEADBOLTS

T220 & GL220 Series..... L87, L89

III. GRADE 3

DEADBOLT

LSD Series..... L91
 IND84 Indicator Deadbolts Series..... L92
 Chelsie Series..... L99
 Clipper Series..... L108
 Italia Series..... L115

TUBULAR

Legacy Series..... L106-L107
 Contemporary Series..... L102
 Summit Series..... L103-L103B
 Chelsie Series..... L96-L97
 Vanguard Series..... L101
 Heritage Series..... L100-L100A
 Ashley Series..... L94
 Italia Series..... L111-L112
 INDLEV-20 Series (Commercial Grade)..... L93

HANDLESETS

Chelsie Series..... L98

IV. TEMPORARY LOCKSETS

L115-A

IV. KEYS & KEYING

REPLACEMENT CYLINDERS

Key-in-Knob-Lever Cylinders..... L116
 Rim Cylinders..... L117
 Mortise Cylinders..... L116
 Mortise and Rim Cylinders..... L118
 Mortise Cylinder Accessories..... L117
 Mortise Cylinder Cams..... L117
 Small Format IC Cylinders..... L119
 Large Format IC Cylinders..... L120

RESTRICTED CYLINDERS

Key-in-Knob-Lever Cylinders..... L121
 Small Format IC Cylinders..... L121
 Mortise Cylinders..... L121
 Single Cylinder Deadbolt Kits..... L121
 Double Cylinder Deadbolt Kits..... L121
 Mortise and Rim Cylinder Kits..... L121
 Key Blanks..... L121

HIGH SECURITY KEY (HSK) SYSTEM

Key-in-Knob-Lever Cylinders..... L122
 Mortise-Rim Combo Cylinder..... L122
 Small Format IC Cylinders..... L122
 Large Format IC Cylinders..... L122
 IC Housing..... L122
 HSK Accessories..... L123-L125
 HSK Heavy Duty Deadbolts..... L126

CRP COMBI CYLINDER PROGRAM

Key-in-Knob-Lever Cylinders..... L127
 Small Format IC Cylinders..... L127
 Mortise Cylinders..... L127
 Large Format Interchangeable Cores..... L127
 European Profile Cylinders..... L127
 CRP Combi Pinning Kits..... L128

COMMERCIAL KEYING CHARGES

L129

RESIDENTIAL KEYING CHARGES

L130





NM Series List Price

HEAVY DUTY, GRADE 1 MORTISE LOCKSET

Optional Interchangeable Core Small Format (Best, Falcon and Arrow) or Large Format (Schlage)

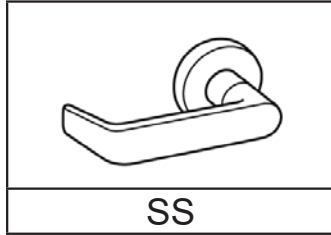
QUANTITY DISCOUNT
UP TO 30 UNITS MIXED ▶ STANDARD DISCOUNT ONLY
31 - 60 UNITS MIXED ▶▶ LESS 5%
61 AND MORE UNITS MIXED ▶▶▶ LESS 10%



LIFETIME WARRANTY

BHMA CERTIFIED
Be Safe. Be Secure. Look for the Mark.

MEETS
The Buy American Act



STOCK ITEM PRICES IN BOLD.
(FOR OTHER DESIGNS, SEE NEXT PAGE)
NON-STOCK FINISHES AVAILABLE WITH FACTORY LEAD TIME AND SUBJECT TO MINIMUM ORDER

SS SECTIONAL TRIM ONLY							
	FUNCTIONS	ANSI	FINISHES				
			US26D	US32D	US32	US10B	US3, 26, 4, 19
<i>Single cylinder without deadbolt</i>	NM8050 - Office / Entrance	F04	\$333.61	\$393.78	\$393.78	\$349.43	\$349.43
	NM8056 - Office with Automatic Unlocking	----	344.17	423.20	423.20	359.98	359.98
	NM8070 - Classroom	F05	333.61	393.78	393.78	349.43	349.43
	NM8080 - Storeroom	F07				349.43	
<i>Single cylinder with deadbolt</i>	NM8453 - Entrance	F20	344.17	423.20	423.20	359.98	359.98
	NM8456 - Corridor	F13					
	NM8495 - Keyed Privacy with Indicator	----	454.74	533.77	533.77	470.54	470.54
	NM8465 - Closet / Storeroom with Deadbolt	----	344.17	423.20	423.20	359.98	359.98
	NM8473 - Dormitory / Bedroom	F21					
<i>Double cylinder without deadbolt</i>	NM8480 - Storeroom with Deadbolt	----	344.17	423.20	423.20	359.98	359.98
	NM8071 - Classroom Security	F32	391.23	474.86	474.86	408.24	408.24
<i>Double cylinder with deadbolt</i>	NM8082 - Asylum / Institution	F30	372.24	451.26	451.26	388.05	388.05
	NM8457 - Classroom Security with Deadbolt	F33	411.08	490.46	426.67	426.67	426.67
	NM8458 - Classroom Security with Deadbolt and Auxiliary Latch	F34	422.42	504.63	439.43	439.43	439.43
	NM8466 - Storeroom	F14	372.24	451.26	451.26	388.05	388.05
<i>Other Functions</i>	NM8040 - Privacy Bedroom / Bath	F22	298.53				
	NM8044 - Privacy with Coin Turn Outside	----	298.53	377.48	314.34	314.34	314.34
	NM8440 - Privacy with Deadbolt	F19	298.53				
	NM8444 - Privacy with Deadbolt & Coin Turn Outside	F19A	320.36	403.99	337.37	337.37	337.37
	NM8445 - Privacy with Deadbolt, Coin Turn Outside and Indicator	F19B	409.10	488.05	424.90	424.90	424.90
	NM8010 - Passage	F01	263.37	342.41	342.41	279.18	279.18
	NM8170 - Single Fixed Dummy	----	87.82	166.85	166.85	103.62	103.62
	NM8172 - Double Fixed Dummy	----	184.28	229.98	229.98	219.30	219.30
NM8175 - Single Dummy with Lock Case	----	184.28					
NM8176 - Double Dummy with Lock Case	----	263.37	342.41	342.41	279.18	279.18	

Optional Interchangeable Cores (See page L17 for additional charges). Prices do not include cores.
For IC Core pricing see pages L119 – L120. For Keying charges see page L129.



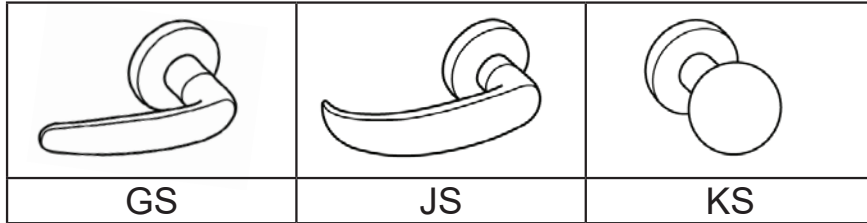


NM Series List Price

HEAVY DUTY, GRADE 1 MORTISE LOCKSET

Optional Interchangeable Core Small Format (Best, Falcon and Arrow) or Large Format (Schlage)

QUANTITY DISCOUNT
UP TO 30 UNITS MIXED ► STANDARD DISCOUNT ONLY
31 - 60 UNITS MIXED ►► LESS 5%
61 AND MORE UNITS MIXED ►►► LESS 10%



ALL ITEMS BELOW AVAILABLE WITH FACTORY LEAD TIME AND SUBJECT TO MINIMUM ORDER QUANTITY

GS, JS, AND KS SECTIONAL TRIM ONLY

FUNCTIONS		ANSI	FINISHES			
			US26D	US32D	US32	US10B, 3, 26, 4, 19
<i>Single cylinder without deadbolt</i>	NM8050 - Office / Entrance	F04	\$333.61	\$393.78	\$393.78	\$349.43
	NM8056 - Office with Automatic Unlocking	----	344.17	423.20	423.20	359.98
	NM8070 - Classroom	F05	333.61	393.78	393.78	349.43
	NM8080 - Storeroom	F07				
<i>Single cylinder with deadbolt</i>	NM8453 - Entrance	F20	344.17	423.20	423.20	359.98
	NM8456 - Corridor	F13				
	NM8495 - Keyed Privacy with Indicator	----	454.74	533.77	533.77	470.54
	NM8465 - Closet / Storeroom with Deadbolt	----	344.17	423.20	423.20	359.98
	NM8473 - Dormitory / Bedroom	F21				
	NM8480 - Storeroom with Deadbolt	----				
<i>Double cylinder without deadbolt</i>	NM8071 - Classroom Security	F32	391.23	474.86	474.86	408.24
	NM8082 - Asylum / Institution	F30	372.24	451.26	451.26	388.05
<i>Double cylinder with deadbolt</i>	NM8457 - Classroom Security with Deadbolt	F33	411.08	490.46	426.67	426.67
	NM8458 - Classroom Security with Deadbolt and Auxiliary Latch	F34	422.42	504.63	439.43	439.43
	NM8466 - Storeroom	F14	372.24	451.26	451.26	388.05
<i>Other Functions</i>	NM8040 - Privacy Bedroom / Bath	F22	298.53	377.48	314.34	314.34
	NM8044 - Privacy with Coin Turn Outside	----				
	NM8440 - Privacy with Deadbolt	F19	298.53	403.99	337.37	337.37
	NM8444 - Privacy with Deadbolt & Coin Turn Outside	F19A	320.36			
	NM8445 - Privacy with Deadbolt, Coin Turn Outside and Indicator	F19B	409.10	488.05	424.90	424.90
	NM8010 - Passage	F01	263.37	342.41	342.41	279.18
	NM8170 - Single Fixed Dummy	----	87.82	229.98	229.98	219.30
	NM8172 - Double Fixed Dummy	----	184.28			
	NM8175 - Single Dummy with Lock Case	----	184.28			
	NM8176 - Double Dummy with Lock Case	----	263.37			

Optional Interchangeable Cores (See page L17 for additional charges). Prices do not include cores.
For IC Core pricing see pages L119 – L120. For Keying charges see page L129.



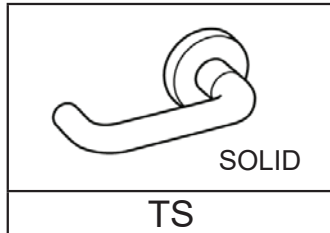


NM Series List Price

HEAVY DUTY, GRADE 1 MORTISE LOCKSET

Optional Interchangeable Core Small Format (Best, Falcon and Arrow) or Large Format (Schlage)

QUANTITY DISCOUNT
UP TO 30 UNITS MIXED ► STANDARD DISCOUNT ONLY
31 - 60 UNITS MIXED ►► LESS 5%
61 AND MORE UNITS MIXED ►►► LESS 10%



STOCK ITEM PRICES IN BOLD.
(FOR OTHER DESIGNS, SEE NEXT PAGE)
NON-STOCK FINISHES AVAILABLE
WITH FACTORY LEAD TIME AND
SUBJECT TO MINIMUM ORDER

TS SECTIONAL TRIM ONLY						
FUNCTIONS		ANSI	FINISHES			
			US26D	US32D	US32	US10B, 3, 26, 4, 19
<i>Single cylinder without deadbolt</i>	NM8050 - Office / Entrance	F04	\$333.61	\$393.78	\$393.78	\$349.43
	NM8056 - Office with Automatic Unlocking	----	344.17	423.20	423.20	359.98
	NM8070 - Classroom	F05	333.61	393.78	393.78	349.43
	NM8080 - Storeroom	F07				
<i>Single cylinder with deadbolt</i>	NM8453 - Entrance	F20	344.17	423.20	423.20	359.98
	NM8456 - Corridor	F13				
	NM8495 - Keyed Privacy with Indicator	----	454.74	533.77	533.77	470.54
	NM8465 - Closet / Storeroom with Deadbolt	----	344.17			
	NM8473 - Dormitory / Bedroom	F21		423.20	423.20	359.98
	NM8480 - Storeroom with Deadbolt	----	344.17			
<i>Double cylinder without deadbolt</i>	NM8071 - Classroom Security	F32	391.23	474.86	474.86	408.24
	NM8082 - Asylum / Institution	F30	372.24	451.26	451.26	388.05
<i>Double cylinder with deadbolt</i>	NM8457 - Classroom Security with Deadbolt	F33	411.08	490.46	426.67	426.67
	NM8458 - Classroom Security with Deadbolt and Auxiliary Latch	F34	422.42	504.63	439.43	439.43
	NM8466 - Storeroom	F14	372.24	451.26	451.26	388.05
<i>Other Functions</i>	NM8040 - Privacy Bedroom / Bath	F22				
	NM8044 - Privacy with Coin Turn Outside	----	298.53	377.48	314.34	314.34
	NM8440 - Privacy with Deadbolt	F19	298.53	377.48		
	NM8444 - Privacy with Deadbolt & Coin Turn Outside	F19A	320.36	403.99	337.37	337.37
	NM8445 - Privacy with Deadbolt, Coin Turn Outside and Indicator	F19B	409.10	488.05	424.90	424.90
	NM8010 - Passage	F01	263.37	342.41	342.41	279.18
	NM8170 - Single Fixed Dummy	----	87.82	166.85	166.85	103.62
	NM8172 - Double Fixed Dummy	----	184.28	229.98	229.98	219.30
	NM8175 - Single Dummy with Lock Case	----	184.28	229.98		
NM8176 - Double Dummy with Lock Case	----	263.37	342.41	342.41	279.18	

Optional Interchangeable Cores (See page L17 for additional charges). Prices do not include cores.
For IC Core pricing see pages L119 – L120. For Keying charges see page L129.





NM Series *List Price*

HEAVY DUTY, GRADE 1 MORTISE LOCKSET

•• Optional Interchangeable Core Small Format (Best, Falcon and Arrow) or Large Format (Schlage)

QUANTITY DISCOUNT
UP TO 30 UNITS MIXED ► STANDARD DISCOUNT ONLY
31 - 60 UNITS MIXED ►► LESS 5%
61 AND MORE UNITS MIXED ►►► LESS 10%



LIFETIME WARRANTY



MEETS
The Buy American Act



SECTIONAL TRIMS

 CS	 HS	 VS	 YS
 FS	 IS	 DS	 MS
 QS	 ZS	 RS	 PS
 WS	 XS		





NM Series List Price

HEAVY DUTY, GRADE 1 MORTISE LOCKSET

Optional Interchangeable Core Small Format (Best, Falcon and Arrow) or Large Format (Schlage)

QUANTITY DISCOUNT
UP TO 30 UNITS MIXED ► STANDARD DISCOUNT ONLY
31 - 60 UNITS MIXED ►► LESS 5%
61 AND MORE UNITS MIXED ►►► LESS 10%

NON-STOCK ITEMS
ALL ITEMS BELOW AVAILABLE WITH FACTORY LEAD TIME
AND SUBJECT TO MINIMUM ORDER QUANTITY

CS, HS, VS, YS, DS, FS, IS, MS, QS, RS, PS, WS, XS, ZS SECTIONAL TRIM ONLY

FUNCTIONS		ANSI	FINISHES		
			US26D	US32D, 32	US10B, 3, 26, 4, 19
<i>Single cylinder without deadbolt</i>	NM8050 - Office / Entrance	F04	\$333.61	\$393.78	\$349.43
	NM8056 - Office with Automatic Unlocking	----	344.17	423.20	359.98
	NM8070 - Classroom	F05	333.61	393.78	349.43
	NM8080 - Storeroom	F07			
<i>Single cylinder with deadbolt</i>	NM8453 - Entrance	F20	344.17	423.20	359.98
	NM8456 - Corridor	F13			
	NM8495 - Keyed Privacy with Indicator	----	454.74	533.77	470.54
	NM8465 - Closet / Storeroom with Deadbolt	----	344.17	423.20	359.98
	NM8473 - Dormitory / Bedroom	F21			
NM8480 - Storeroom with Deadbolt	----				
<i>Double cylinder without deadbolt</i>	NM8071 - Classroom Security	F32	391.23	474.86	408.24
	NM8082 - Asylum / Institution	F30	372.24	451.26	388.05
<i>Double cylinder with deadbolt</i>	NM8457 - Classroom Security with Deadbolt	F33	411.08	490.46	426.67
	NM8458 - Classroom Security with Deadbolt and Auxiliary Latch	F34	422.42	504.63	439.43
	NM8466 - Storeroom	F14	372.24	451.26	388.05
<i>Other Functions</i>	NM8040 - Privacy Bedroom / Bath	F22	298.53	377.48	314.34
	NM8044 - Privacy with Coin Turn Outside	----			
	NM8440 - Privacy with Deadbolt	F19	320.36	403.99	337.37
	NM8444 - Privacy with Deadbolt & Coin Turn Outside	F19A			
	NM8445 - Privacy with Deadbolt, Coin Turn Outside and Indicator	F19B			
	NM8010 - Passage	F01	263.37	342.41	279.18
	NM8170 - Single Fixed Dummy	----	87.82	166.85	103.62
	NM8172 - Double Fixed Dummy	----	184.28	229.98	219.30
	NM8175 - Single Dummy with Lock Case	----			
NM8176 - Double Dummy with Lock Case	----	263.37	342.68	279.18	

Optional Interchangeable Cores (See page L17 for additional charges). Prices do not include cores.
For IC Core pricing see pages L119 – L120. For Keying charges see page L129.



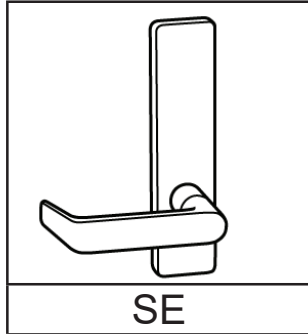


NM Series List Price

HEAVY DUTY, GRADE 1 MORTISE LOCKSET

Optional Interchangeable Core Small Format (Best, Falcon and Arrow) or Large Format (Schlage)

QUANTITY DISCOUNT
UP TO 30 UNITS MIXED ► STANDARD DISCOUNT ONLY
31 - 60 UNITS MIXED ►► LESS 5%
61 AND MORE UNITS MIXED ►►► LESS 10%



STOCK ITEM PRICES IN BOLD.
(FOR OTHER DESIGNS, SEE NEXT PAGE)
NON-STOCK FINISHES AVAILABLE
WITH FACTORY LEAD TIME AND
SUBJECT TO MINIMUM ORDER

SE ESCUTCHEON TRIM ONLY							
FUNCTIONS		ANSI	FINISHES				
			US26D	US32D	US10B	US3, 26	US4, 19
<i>Single cylinder without deadbolt</i>	NM8050 - Office / Entrance	F04	\$363.51	\$442.47	\$379.26	\$379.26	\$379.26
	NM8056 - Office with Automatic Unlocking	----	372.24	451.26	388.05	388.05	388.05
	NM8070 - Classroom	F05	363.51	442.47	379.26	379.26	379.26
	NM8080 - Storeroom	F07			379.26		
<i>Single cylinder with deadbolt</i>	NM8453 - Entrance	F20	372.24	451.26	388.05	388.05	388.05
	NM8456 - Corridor	F13			388.05	388.05	
	NM8495 - Keyed Privacy with Indicator	----	482.81	561.83	398.39	398.39	398.39
	NM8465 - Closet / Storeroom with Deadbolt	----	372.24	451.26	388.05	388.05	337.02
	NM8473 - Dormitory / Bedroom	F21					
NM8480 - Storeroom with Deadbolt	----	372.24					
<i>Double cylinder without deadbolt</i>	NM8071 - Classroom Security	F32	411.08	494.71	428.09	428.09	428.09
	NM8082 - Asylum / Institution	F30	391.58	470.61	407.39	407.39	407.39
<i>Double cylinder with deadbolt</i>	NM8457 - Classroom Security with Deadbolt	F33	460.69	540.07	476.28	476.28	476.28
	NM8458 - Classroom Security with Deadbolt and Auxiliary Latch	F34	473.45	555.66	490.46	490.46	490.46
	NM8466 - Storeroom	F14	391.58	470.61	407.39	407.39	407.39
<i>Other Functions</i>	NM8040 - Privacy Bedroom / Bath	F22	347.64	426.67	363.51	363.51	363.51
	NM8044 - Privacy with Coin Turn Outside	----	347.64				
	NM8440 - Privacy with Deadbolt	F19	347.64				
	NM8444 - Privacy with Deadbolt & Coin Turn Outside	F19A	372.80	457.85	389.81	389.81	389.81
	NM8445 - Privacy with Deadbolt, Coin Turn Outside and Indicator	F19B	458.20	537.23	474.08	474.08	474.08
	NM8010 - Passage	F01	302.00	381.03	317.80	317.80	317.80
	NM8170 - Single Fixed Dummy	----	98.37	177.33	114.19	114.19	114.19
	NM8172 - Double Fixed Dummy	----	216.74	262.45	257.99	257.99	257.99
	NM8175 - Single Dummy with Lock Case	----	216.74				
NM8176 - Double Dummy with Lock Case	----	302.00	381.03	317.80	317.80	317.80	

Optional Interchangeable Cores (See page L17 for additional charges). Prices do not include cores.
For IC Core pricing see pages L119 – L120. For Keying charges see page L129.



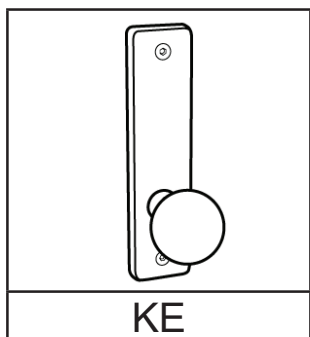


NM Series List Price

HEAVY DUTY, GRADE 1 MORTISE LOCKSET

Optional Interchangeable Core Small Format (Best, Falcon and Arrow) or Large Format (Schlage)

QUANTITY DISCOUNT
UP TO 30 UNITS MIXED ▶ STANDARD DISCOUNT ONLY
31 - 60 UNITS MIXED ▶▶ LESS 5%
61 AND MORE UNITS MIXED ▶▶▶ LESS 10%



STOCK ITEM PRICES IN BOLD.
 (FOR OTHER DESIGNS, SEE NEXT PAGE)
NON-STOCK FINISHES AVAILABLE
WITH FACTORY LEAD TIME AND
SUBJECT TO MINIMUM ORDER

KE ESCUTCHEON TRIM ONLY					
FUNCTIONS		ANSI	FINISHES		
			US26D	US32D	US10B, 3, 26, 4, 19
<i>Single cylinder without deadbolt</i>	NM8050 - Office / Entrance	F04	\$363.51	\$442.47	\$379.26
	NM8056 - Office with Automatic Unlocking	----	372.24	451.26	388.05
	NM8070 - Classroom	F05	363.51	442.47	379.26
	NM8080 - Storeroom	F07			
<i>Single cylinder with deadbolt</i>	NM8453 - Entrance	F20	372.24	451.26	388.05
	NM8456 - Corridor	F13			
	NM8495 - Keyed Privacy with Indicator	----	482.81	561.83	398.39
	NM8465 - Closet / Storeroom with Deadbolt	----	372.24	451.26	388.05
	NM8473 - Dormitory / Bedroom	F21			
	NM8480 - Storeroom with Deadbolt	----			
<i>Double cylinder without deadbolt</i>	NM8071 - Classroom Security	F32	411.08	494.71	428.09
	NM8082 - Asylum / Institution	F30	391.58	470.61	407.39
<i>Double cylinder with deadbolt</i>	NM8457 - Classroom Security with Deadbolt	F33	460.69	540.07	476.28
	NM8458 - Classroom Security with Deadbolt and Auxiliary Latch	F34	473.45	555.66	490.46
	NM8466 - Storeroom	F14	391.58	470.61	407.39
<i>Other Functions</i>	NM8040 - Privacy Bedroom / Bath	F22	347.64	426.67	363.51
	NM8044 - Privacy with Coin Turn Outside	----			
	NM8440 - Privacy with Deadbolt	F19	347.64	457.85	389.81
	NM8444 - Privacy with Deadbolt & Coin Turn Outside	F19A	372.80		
	NM8445 - Privacy with Deadbolt, Coin Turn Outside and Indicator	F19B	458.20		
	NM8010 - Passage	F01	302.00	381.03	317.80
	NM8170 - Single Fixed Dummy	----	98.37	177.33	114.19
	NM8172 - Double Fixed Dummy	----	216.74	262.45	257.99
	NM8175 - Single Dummy with Lock Case	----			
NM8176 - Double Dummy with Lock Case	----				

Optional Interchangeable Cores (See page L17 for additional charges). Prices do not include cores.
 For IC Core pricing see pages L119 – L120. For Keying charges see page L129.



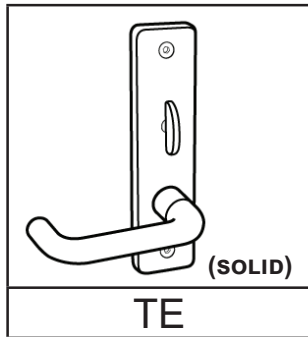


NM Series List Price

HEAVY DUTY, GRADE 1 MORTISE LOCKSET

Optional Interchangeable Core Small Format (Best, Falcon and Arrow) or Large Format (Schlage)

QUANTITY DISCOUNT
UP TO 30 UNITS MIXED ► STANDARD DISCOUNT ONLY
31 - 60 UNITS MIXED ►► LESS 5%
61 AND MORE UNITS MIXED ►►► LESS 10%



STOCK ITEM PRICES IN BOLD.
(FOR OTHER DESIGNS, SEE NEXT PAGE)
NON-STOCK FINISHES AVAILABLE
WITH FACTORY LEAD TIME AND
SUBJECT TO MINIMUM ORDER

TE ESCUTCHEON TRIM ONLY					
FUNCTIONS		ANSI	FINISHES		
			US26D	US32D	US10B, 3, 26, 4, 19
<i>Single cylinder without deadbolt</i>	NM8050 - Office / Entrance	F04	\$363.51	\$442.47	\$379.26
	NM8056 - Office with Automatic Unlocking	----	372.24	451.26	388.05
	NM8070 - Classroom	F05	363.51	442.47	379.26
	NM8080 - Storeroom	F07			
<i>Single cylinder with deadbolt</i>	NM8453 - Entrance	F20	372.24	451.26	388.05
	NM8456 - Corridor	F13			
	NM8495 - Keyed Privacy with Indicator	----	482.81	561.83	398.39
	NM8465 - Closet / Storeroom with Deadbolt	----	372.24	451.26	388.05
	NM8473 - Dormitory / Bedroom	F21			
<i>Double cylinder without deadbolt</i>	NM8480 - Storeroom with Deadbolt	----	372.24	451.26	
	NM8071 - Classroom Security	F32	411.08	494.71	428.09
<i>Double cylinder with deadbolt</i>	NM8082 - Asylum / Institution	F30	391.58	470.61	407.39
	NM8457 - Classroom Security with Deadbolt	F33	460.69	540.07	476.28
	NM8458 - Classroom Security with Deadbolt and Auxiliary Latch	F34	473.45	555.66	490.46
<i>Other Functions</i>	NM8466 - Storeroom	F14	391.58	470.61	407.39
	NM8040 - Privacy Bedroom / Bath	F22			
	NM8044 - Privacy with Coin Turn Outside	----	347.64	426.67	363.51
	NM8440 - Privacy with Deadbolt	F19	347.64	426.67	
	NM8444 - Privacy with Deadbolt & Coin Turn Outside	F19A	372.80	457.85	389.81
	NM8445 - Privacy with Deadbolt, Coin Turn Outside and Indicator	F19B	458.20	537.23	474.08
	NM8010 - Passage	F01	302.00	381.03	317.80
	NM8170 - Single Fixed Dummy	----	98.37	177.33	114.19
	NM8172 - Double Fixed Dummy	----	216.74	262.45	257.99
	NM8175 - Single Dummy with Lock Case	----	216.74	262.45	
NM8176 - Double Dummy with Lock Case	----	302.00	381.03	317.80	

Optional Interchangeable Cores (See page L17 for additional charges). Prices do not include cores.
For IC Core pricing see pages L119 – L120. For Keying charges see page L129.



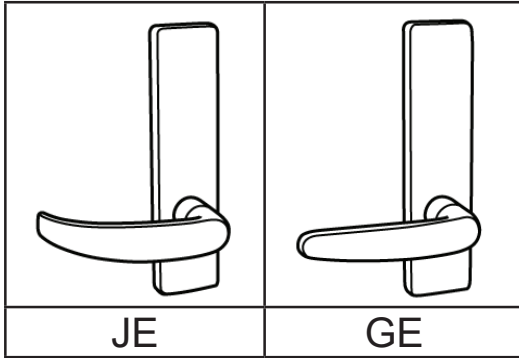


NM Series List Price

HEAVY DUTY, GRADE 1 MORTISE LOCKSET

Optional Interchangeable Core Small Format (Best, Falcon and Arrow) or Large Format (Schlage)

QUANTITY DISCOUNT
UP TO 30 UNITS MIXED ► STANDARD DISCOUNT ONLY
31 - 60 UNITS MIXED ►► LESS 5%
61 AND MORE UNITS MIXED ►►► LESS 10%



STOCK ITEM PRICES IN BOLD.
(FOR OTHER DESIGNS, SEE NEXT PAGE)
NON-STOCK FINISHES AVAILABLE
WITH FACTORY LEAD TIME AND
SUBJECT TO MINIMUM ORDER

JE AND GE ESCUTCHEON TRIM ONLY					
FUNCTIONS		ANSI	FINISHES		
			US26D	US32D	US10B, 3, 26, 4, 19
<i>Single cylinder without deadbolt</i>	NM8050 - Office / Entrance	F04	\$363.51	\$442.47	\$379.26
	NM8056 - Office with Automatic Unlocking	----	372.24	451.26	388.05
	NM8070 - Classroom	F05	363.51	442.47	379.26
	NM8080 - Storeroom	F07			
<i>Single cylinder with deadbolt</i>	NM8453 - Entrance	F20	372.24	451.26	388.05
	NM8456 - Corridor	F13			
	NM8495 - Keyed Privacy with Indicator	----	482.81	561.83	398.39
	NM8465 - Closet / Storeroom with Deadbolt	----	372.24	451.26	388.05
	NM8473 - Dormitory / Bedroom	F21			
NM8480 - Storeroom with Deadbolt	----	372.24			
<i>Double cylinder without deadbolt</i>	NM8071 - Classroom Security	F32	411.08	494.71	428.09
	NM8082 - Asylum / Institution	F30	391.58	470.61	407.39
<i>Double cylinder with deadbolt</i>	NM8457 - Classroom Security with Deadbolt	F33	460.69	540.07	476.28
	NM8458 - Classroom Security with Deadbolt and Auxiliary Latch	F34	473.45	555.66	490.46
	NM8466 - Storeroom	F14	391.58	470.61	407.39
<i>Other Functions</i>	NM8040 - Privacy Bedroom / Bath	F22	347.64	426.67	363.51
	NM8044 - Privacy with Coin Turn Outside	----			
	NM8440 - Privacy with Deadbolt	F19	347.64	426.67	
	NM8444 - Privacy with Deadbolt & Coin Turn Outside	F19A	372.80	457.85	389.81
	NM8445 - Privacy with Deadbolt, Coin Turn Outside and Indicator	F19B	458.20	537.23	474.08
	NM8010 - Passage	F01	302.00	381.03	317.80
	NM8170 - Single Fixed Dummy	----	98.37	177.33	114.19
	NM8172 - Double Fixed Dummy	----	216.74	262.45	257.99
NM8175 - Single Dummy with Lock Case	----	216.74	262.45		
NM8176 - Double Dummy with Lock Case	----	302.00	381.03	317.80	

Optional Interchangeable Cores (See page L17 for additional charges). Prices do not include cores.
For IC Core pricing see pages L119 – L120. For Keying charges see page L129.



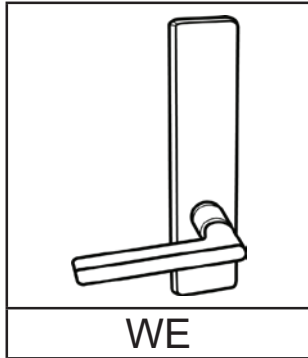


NM Series List Price

HEAVY DUTY, GRADE 1 MORTISE LOCKSET

Optional Interchangeable Core Small Format (Best, Falcon and Arrow) or Large Format (Schlage)

QUANTITY DISCOUNT
UP TO 30 UNITS MIXED ► STANDARD DISCOUNT ONLY
31 - 60 UNITS MIXED ►► LESS 5%
61 AND MORE UNITS MIXED ►►► LESS 10%



STOCK ITEM PRICES IN BOLD.
(FOR OTHER DESIGNS, SEE NEXT PAGE)
NON-STOCK FINISHES AVAILABLE
WITH FACTORY LEAD TIME AND
SUBJECT TO MINIMUM ORDER

WE ESCUTCHEON TRIM ONLY						
FUNCTIONS	ANSI	FINISHES				
		US26D	US19	US32D	US10B, 3, 26, 4	
<i>Single cylinder without deadbolt</i>	NM8050 - Office / Entrance	F04	\$363.51	\$379.26	\$442.47	\$379.26
	NM8056 - Office with Automatic Unlocking	----	372.24	388.05	451.26	388.05
	NM8070 - Classroom	F05	363.51	379.26	442.47	379.26
	NM8080 - Storeroom	F07	363.51	379.26		
<i>Single cylinder with deadbolt</i>	NM8453 - Entrance	F20	372.24	388.05	451.26	388.05
	NM8456 - Corridor	F13	372.24	388.05		
	NM8495 - Keyed Privacy with Indicator	----	482.81	398.39	561.83	398.39
	NM8465 - Closet / Storeroom with Deadbolt	----	372.24	388.05	451.26	388.05
	NM8473 - Dormitory / Bedroom	F21				
NM8480 - Storeroom with Deadbolt	----					
<i>Double cylinder without deadbolt</i>	NM8071 - Classroom Security	F32	411.08	428.09	494.71	428.09
	NM8082 - Asylum / Institution	F30	391.58	407.39	470.61	407.39
<i>Double cylinder with deadbolt</i>	NM8457 - Classroom Security with Deadbolt	F33	460.69	476.28	540.07	476.28
	NM8458 - Classroom Security with Deadbolt and Auxiliary Latch	F34	473.45	490.46	555.66	490.46
	NM8466 - Storeroom	F14	391.58	407.39	470.61	407.39
<i>Other Functions</i>	NM8040 - Privacy Bedroom / Bath	F22	347.64	363.51	426.67	363.51
	NM8044 - Privacy with Coin Turn Outside	----				
	NM8440 - Privacy with Deadbolt	F19	372.80	389.81	457.85	389.81
	NM8444 - Privacy with Deadbolt & Coin Turn Outside	F19A				
	NM8445 - Privacy with Deadbolt, Coin Turn Outside and Indicator	F19B				
	NM8010 - Passage	F01	302.00	317.80	381.03	317.80
	NM8170 - Single Fixed Dummy	----	98.37	114.19	177.33	114.19
	NM8172 - Double Fixed Dummy	----	216.74	257.99	262.45	257.99
NM8175 - Single Dummy with Lock Case	----					
NM8176 - Double Dummy with Lock Case	----					

Optional Interchangeable Cores (See page L17 for additional charges). Prices do not include cores.
For IC Core pricing see pages L119 – L120. For Keying charges see page L129.






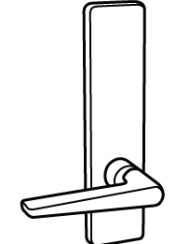
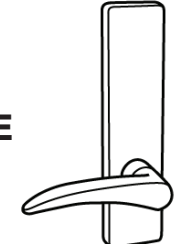
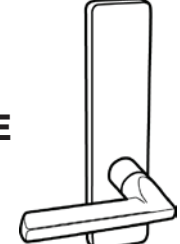
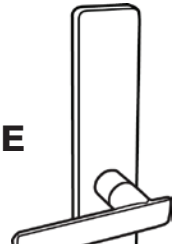
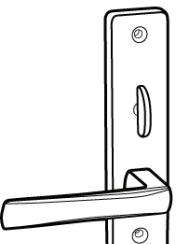



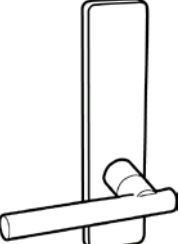

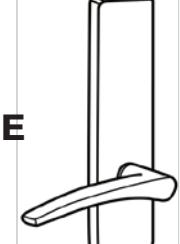


NM Series *List Price*

HEAVY DUTY, GRADE 1 MORTISE LOCKSET

**Optional Interchangeable Core Small Format (Best, Falcon and Arrow)
or Large Format (Schlage)**

ESCUTCHEON TRIMS

<p>(HOLLOW)</p> <p>CE</p> 	<div style="display: flex; justify-content: space-between; align-items: center;"> <div data-bbox="574 520 683 621">  <small>3 HOUR FIRE RATED UL10C, UBC7-2-1997</small> </div> <div data-bbox="695 520 878 621"> <p>LIFETIME WARRANTY</p> </div> <div data-bbox="889 520 1122 621"> <p>BHMA CERTIFIED <small>Be Safe. Be Secure. Look for the Mark.</small></p> </div> <div data-bbox="1133 520 1463 621"> <p>MEETS <i>The Buy American Act</i></p> </div> </div> <div style="text-align: center; margin-top: 10px;"> <p>QUANTITY DISCOUNT</p> <p>UP TO 30 UNITS MIXED ► STANDARD DISCOUNT ONLY</p> <p>31 - 60 UNITS MIXED ►► LESS 5%</p> <p>61 AND MORE UNITS MIXED ►►► LESS 10%</p> </div> <div style="display: flex; justify-content: space-around; margin-top: 10px;"> <div data-bbox="1062 667 1268 768"> <p><small>HURRICANE APPROVED HARDWARE FLORIDA BUILDING CODE</small></p> <p>FL13922-R9</p> <p><small>ASTM E330-02 & E1886-05/1996-06 TAS 091, 202, 203-04 UL10C-09</small></p> </div> <div data-bbox="1279 667 1485 768"> <p><small>HURRICANE APPROVED HARDWARE TEXAS EVALUATION ID</small></p> <p>DR-472</p> <p><small>ASTM E330-14/ E1886-13a/ E1896-14a</small></p> </div> </div>		
<p>(HOLLOW)</p> <p>HE</p> 	<p>VE</p> 	<p>YE</p> 	<p>FE</p> 
<p>IE</p> 	<p>DE</p> 	<p>ME</p> 	<p>QE</p> 
<p>ZE</p> 	<p>RE</p> 	<p>PE</p> 	<p>XE</p> 





NM Series List Price

HEAVY DUTY, GRADE 1 MORTISE LOCKSET

Optional Interchangeable Core Small Format (Best, Falcon and Arrow) or Large Format (Schlage)

QUANTITY DISCOUNT
UP TO 30 UNITS MIXED ► STANDARD DISCOUNT ONLY
31 - 60 UNITS MIXED ►► LESS 5%
61 AND MORE UNITS MIXED ►►► LESS 10%

NON-STOCK ITEMS
ALL ITEMS BELOW AVAILABLE WITH FACTORY LEAD TIME
AND SUBJECT TO MINIMUM ORDER QUANTITY

CE, HE, VE, YE, FE, IE, DE, ME, QE, ZE, RE, PE, XE
ESCUTCHEON TRIM ONLY

FUNCTIONS	ANSI	FINISHES			
		US26D	US32D	US10B, 3, 26, 4, 19	
<i>Single cylinder without deadbolt</i>	NM8050 - Office / Entrance	F04	\$363.51	\$442.47	\$379.26
	NM8056 - Office with Automatic Unlocking	----	372.24	451.26	388.05
	NM8070 - Classroom	F05	363.51	442.47	379.26
	NM8080 - Storeroom	F07			
<i>Single cylinder with deadbolt</i>	NM8453 - Entrance	F20	372.24	451.26	388.05
	NM8456 - Corridor	F13			
	NM8495 - Keyed Privacy with Indicator	----	482.81	561.83	398.39
	NM8465 - Closet / Storeroom with Deadbolt	----	372.24	451.26	388.05
	NM8473 - Dormitory / Bedroom	F21			
NM8480 - Storeroom with Deadbolt	----				
<i>Double cylinder without deadbolt</i>	NM8071 - Classroom Security	F32	411.08	494.71	428.09
	NM8082 - Asylum / Institution	F30	391.58	470.61	407.39
<i>Double cylinder with deadbolt</i>	NM8457 - Classroom Security with Deadbolt	F33	460.69	540.07	476.28
	NM8458 - Classroom Security with Deadbolt and Auxiliary Latch	F34	473.45	555.66	490.46
	NM8466 - Storeroom	F14	391.58	470.61	407.39
<i>Other Functions</i>	NM8040 - Privacy Bedroom / Bath	F22	347.64	426.67	363.51
	NM8044 - Privacy with Coin Turn Outside	----			
	NM8440 - Privacy with Deadbolt	F19			
	NM8444 - Privacy with Deadbolt & Coin Turn Outside	F19A	372.80	457.85	389.81
	NM8445 - Privacy with Deadbolt, Coin Turn Outside and Indicator	F19B	458.20	537.23	474.08
	NM8010 - Passage	F01	302.00	381.03	317.80
	NM8170 - Single Fixed Dummy	----	98.37	177.33	114.19
	NM8172 - Double Fixed Dummy	----	216.74	262.45	257.99
	NM8175 - Single Dummy with Lock Case	----			
NM8176 - Double Dummy with Lock Case	----				

Optional Interchangeable Cores (See page L17 for additional charges). Prices do not include cores.
For IC Core pricing see pages L119 – L120. For Keying charges see page L129.

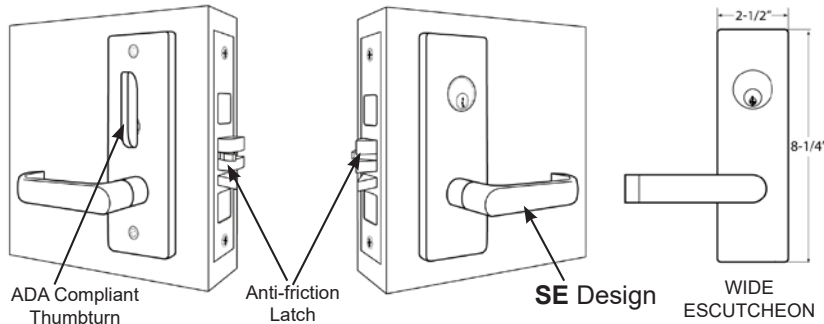




WI Series List Price

HEAVY DUTY, GRADE 1 WIDE ESCUTCHEON MORTISE LOCKSET

Optional Interchangeable Core Small Format (Best, Falcon and Arrow) or Large Format (Schlage)



QUANTITY DISCOUNT
UP TO 30 UNITS MIXED ► STANDARD DISCOUNT ONLY
31 - 60 UNITS MIXED ►► LESS 5%
61 AND MORE UNITS MIXED ►►► LESS 10%

STOCK ITEM PRICES IN BOLD. (FOR OTHER DESIGNS, SEE NEXT PAGE)
NON-STOCK FINISHES AVAILABLE WITH FACTORY LEAD TIME AND SUBJECT TO MINIMUM ORDER

WIDE ESCUTCHEON SE TRIM ONLY

FUNCTIONS		ANSI	FINISHES	
			US26D	US10B, 3, 26, 4, 19
<i>Single cylinder without deadbolt</i>	WI8050 - Office / Entrance	F04	\$461.04	\$461.48
	WI8056 - Office with Automatic Unlocking	----	468.84	468.84
	WI8070 - Classroom	F05	461.04	461.48
	WI8080 - Storeroom	F07		
<i>Single cylinder with deadbolt</i>	WI8453 - Entrance	F20	468.84	468.84
	WI8456 - Corridor	F13		
	WI8495 - Keyed Privacy with Indicator	----	579.41	579.41
	WI8465 - Closet / Storeroom with Deadbolt	----	468.84	468.84
	WI8473 - Dormitory / Bedroom	F21		468.84
<i>Double cylinder without deadbolt</i>	WI8480 - Storeroom with Deadbolt	----	468.84	
	WI8071 - Classroom Security	F32	515.21	515.50
<i>Double cylinder with deadbolt</i>	WI8082 - Asylum / Institution	F30	490.67	490.95
	WI8457 - Classroom Security with Deadbolt	F33	556.59	556.53
	WI8458 - Classroom Security with Deadbolt and Auxiliary Latch	F34	572.40	572.33
	WI8466 - Storeroom	F14	490.67	490.95
<i>Other Functions</i>	WI8040 - Privacy Bedroom / Bath	F22		
	WI8044 - Privacy with Coin Turn Outside	----	443.82	443.75
	WI8440 - Privacy with Deadbolt	F19	443.82	
	WI8444 - Privacy with Deadbolt and Coin Turn Outside	F19A	474.89	474.81
	WI8445 - Privacy with Deadbolt, Coin Turn and Indicator	F19B	554.39	554.31
	WI8010 - Passage	F01	393.78	393.65
	WI8170 - Single Fixed Dummy	----	173.50	174.00
	WI8172 - Double Fixed Dummy	----		
	WI8175 - Single Dummy with Lock Case	----	347.01	348.01
WI8176 - Double Dummy with Lock Case	----	393.78	393.65	

All keyed lock functions are available with Best, Falcon and Arrow, Schlage, Corbin / Russwin, Sargent, and Yale Large Format Interchangeable Cores (See page L17 for additional charges). Prices do not include cores. For IC Core pricing see pages L119 – L120. For Keying charges see page L129.





WI Series List Price

HEAVY DUTY, GRADE 1 WIDE ESCUTCHEON MORTISE LOCKSET

Optional Interchangeable Core Small Format (Best, Falcon and Arrow) or Large Format (Schlage)

		Escutcheon Dimension: 2 1/2" x 8 1/4"			
GE	JE		KE	VE	YE

QUANTITY DISCOUNT
UP TO 30 UNITS MIXED ►
STANDARD DISCOUNT ONLY
31 - 60 UNITS MIXED
►► LESS 5%
61 AND MORE UNITS
MIXED ►► LESS 10%

ALL ITEMS BELOW AVAILABLE WITH FACTORY LEAD TIME AND SUBJECT TO MINIMUM ORDER QUANTITY

WIDE ESCUTCHEON GE, JE, KE, VE, YE TRIM ONLY

FUNCTIONS		ANSI	FINISHES	
			US26D	US32D, 32, 10B, 3, 19
Single cylinder without deadbolt	WI8050 - Office / Entrance	F04	\$461.04	\$461.48
	WI8056 - Office with Automatic Unlocking	----	468.84	468.84
	WI8070 - Classroom	F05	461.04	461.48
	WI8080 - Storeroom	F07		
Single cylinder with deadbolt	WI8453 - Entrance	F20	468.84	468.84
	WI8456 - Corridor	F13		
	WI8495 - Keyed Privacy with Indicator	----	579.41	579.41
	WI8465 - Closet / Storeroom with Deadbolt	----	468.84	468.84
	WI8473 - Dormitory / Bedroom	F21		
WI8480 - Storeroom with Deadbolt	----			
Double cylinder without deadbolt	WI8071 - Classroom Security	F32	515.21	515.50
	WI8082 - Asylum / Institution	F30	490.67	490.95
Double cylinder with deadbolt	WI8457 - Classroom Security with Deadbolt	F33	556.59	556.53
	WI8458 - Classroom Security with Deadbolt and Auxiliary Latch	F34	572.40	572.33
	WI8466 - Storeroom	F14	490.67	490.95
Other Functions	WI8040 - Privacy Bedroom / Bath	F22	443.82	443.75
	WI8044 - Privacy with Coin Turn Outside	----		
	WI8440 - Privacy with Deadbolt	F19	474.89	474.81
	WI8444 - Privacy with Deadbolt and Coin Turn Outside	F19A		
	WI8445 - Privacy with Deadbolt, Coin Turn and Indicator	F19B		
	WI8010 - Passage	F01	393.78	393.65
	WI8170 - Single Fixed Dummy	----	173.50	174.00
	WI8172 - Double Fixed Dummy	----	347.01	348.01
	WI8175 - Single Dummy with Lock Case	----		
WI8176 - Double Dummy with Lock Case	----	393.78	393.65	

Optional Interchangeable Cores (See page L17 for additional charges). Prices do not include cores.
For IC Core pricing see pages L119 – L120. For Keying charges see page L129.

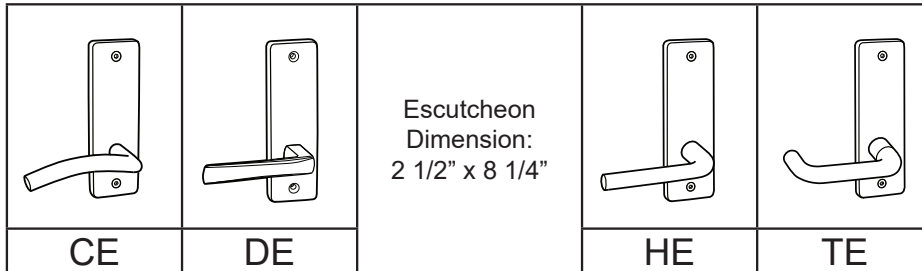




WI Series List Price

HEAVY DUTY, GRADE 1 **WIDE ESCUTCHEON MORTISE LOCKSET**

Optional Interchangeable Core Small Format (Best, Falcon and Arrow) or Large Format (Schlage)



QUANTITY DISCOUNT
UP TO 30 UNITS MIXED ►
STANDARD DISCOUNT ONLY
31 - 60 UNITS MIXED
►► LESS 5%
61 AND MORE UNITS
MIXED ►► LESS 10%

ALL ITEMS BELOW AVAILABLE WITH FACTORY LEAD TIME AND SUBJECT TO MINIMUM ORDER QUANTITY

WIDE ESCUTCHEON CE, DE, HE, TE TRIM ONLY

FUNCTIONS		ANSI	FINISHES		
			US26D	US32D	US32, 10B, 3, 19
<i>Single cylinder without deadbolt</i>	WI8050 - Office / Entrance	F04	\$461.04	\$561.68	\$461.48
	WI8056 - Office with Automatic Unlocking	----	468.84	573.53	468.84
	WI8070 - Classroom	F05	461.04	561.68	461.48
	WI8080 - Storeroom	F07			
<i>Single cylinder with deadbolt</i>	WI8453 - Entrance	F20	468.84	573.53	468.84
	WI8456 - Corridor	F13			
	WI8495 - Keyed Privacy with Indicator	----	579.41	684.90	579.41
	WI8465 - Closet / Storeroom with Deadbolt	----	468.84	573.53	468.84
	WI8473 - Dormitory / Bedroom	F21			
	WI8480 - Storeroom with Deadbolt	----			
<i>Double cylinder without deadbolt</i>	WI8071 - Classroom Security	F32	515.21	626.90	515.50
	WI8082 - Asylum / Institution	F30	490.67	597.05	490.95
<i>Double cylinder with deadbolt</i>	WI8457 - Classroom Security with Deadbolt	F33	556.59	655.09	556.53
	WI8458 - Classroom Security with Deadbolt and Auxiliary Latch	F34	572.40	673.67	572.33
	WI8466 - Storeroom	F14	490.67	597.05	490.95
<i>Other Functions</i>	WI8040 - Privacy Bedroom / Bath	F22	443.82	541.91	443.75
	WI8044 - Privacy with Coin Turn Outside	----			
	WI8440 - Privacy with Deadbolt	F19			
	WI8444 - Privacy with Deadbolt and Coin Turn Outside	F19A	474.89	579.84	474.81
	WI8445 - Privacy with Deadbolt, Coin Turn and Indicator	F19B	554.39	652.48	554.31
	WI8010 - Passage	F01	393.78	483.58	393.65
	WI8170 - Single Fixed Dummy	----	173.50	225.60	174.00
	WI8172 - Double Fixed Dummy	----	347.01	451.19	348.01
	WI8175 - Single Dummy with Lock Case	----			
	WI8176 - Double Dummy with Lock Case	----			

☛ All keyed lock functions are available with Best, Falcon and Arrow, Schlage, Corbin / Russwin, Sargent, and Yale Large Format Interchangeable Cores (See page L17 for additional charges). Prices do not include cores. For IC Core pricing see pages L119 – L120. For Keying charges see page L129.

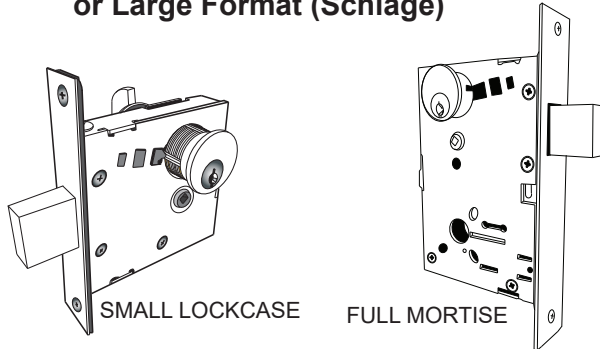




NM Series List Price

HEAVY DUTY, GRADE 1 MORTISE DEADBOLTS

Optional Interchangeable Core Small Format (Best, Falcon and Arrow) or Large Format (Schlage)



QUANTITY DISCOUNT
UP TO 30 UNITS MIXED ► STANDARD DISCOUNT ONLY
31 - 60 UNITS MIXED ►► LESS 5%
61 AND MORE UNITS MIXED ►►► LESS 10%

STOCK ITEM PRICES IN BOLD
NON-STOCK FINISHES AVAILABLE WITH FACTORY LEAD TIME AND SUBJECT TO MINIMUM ORDER

MODEL#	ANSI	LIST PRICE EACH		FUNCTIONS	MODEL#	ANSI	LIST PRICE EACH	
		US26D, 32D	US10B, 3, 26, 4, 19				US26D, 32D	US10B, 3, 26, 4, 19
SM4608	E06071	\$128.14	\$140.68	Cylinder and Thumbturn Deadbolt thrown or retracted by key outside or thumbturn inside.	M8460	F17	\$168.83	\$185.97
SM4628	E06061	142.25	156.27	Double Cylinder Deadbolt operated by key on either side.	M8462	F16	179.74	198.45
SM4638	E06091	142.25	156.27	Classroom Lock Deadbolt thrown or retracted by key from outside. Inside thumbturn cylinder retracts deadbolt but cannot project it.	M8463	F29	179.74	198.45
SM4648	E06081	120.35	132.83	Cylinder Lock Deadbolt thrown or retracted by key from outside only. No trim on opposite side.	M8464	F18	164.08	181.31
SM4808	---	112.05	125.24	Door Bolt Deadbolt thrown or retracted by thumbturn from one side. No trim on opposite side.	M8480	---	290.31	317.80
SM4968	---	235.87	264.22	Deadbolt with "OCCUPIED" indicator Deadbolt thrown or retracted by key outside or thumbturn inside. "OCCUPIED" plate is displayed when deadbolt is thrown.	M8496	---	290.31	317.80

Optional Interchangeable Cores (See page L17 for additional charges). Prices do not include cores. For IC Core pricing see pages L119 – L120. For Keying charges see page L129.





NM Series List Price

HEAVY DUTY, GRADE 1 MORTISE LOCKSET

► PACKAGING INCLUDES

- 6 locks per case
- UL listed single point latch
- Standard "C", 6-pin cylinder
- Non-handed strike

► KEYWAYS

6-pin solid brass "C" keyway standard. Optional: Schlage E, Schlage C-K, Russwin D1-2-3-4, Corbin 59 / 60, Arrow A, Corbin-Russwin L4, Sargent LA-LB-LC, Falcon / Weiser E, Yale 8, Yale GA and Kwikset. Can also accept Medeco, Assa, Kaba and **Cal-Royal HSK** High Security Cylinders. See **page L129** for keying charges and Cylinder PART #.

ADD \$35.44 List Each

When using 1 1/8" length Mortise Cylinder (for Sectional trim) and 1 1/4" length Mortise Cylinder (for Escutcheon),

MUST USE CLOVER CAM supplied by Cal-Royal.

Part # KC-S4 List \$1.14

► IC CORE

All keyed lock functions are available with Small Format and Large Format Interchangeable Cores.

ORDER: Mortise Housing PART # as 2nd Line Item:

- for **Best, Falcon & Arrow SFIC** - Part # **ICH961387** @ \$45.86 List
- for **Schlage LFIC** - Part # **7000ICMC** @ \$46.92 List
- for **Corbin / Russwin LFIC** - Part # **KM-LFH-CR** @ \$46.92 List
- for **Sargent LFIC** - Part # **KM-LFH-SA** @ \$46.92 List
- for **Yale LFIC** - Part # **KM-LFH-YA** @ \$46.92 List

Prices do not include Cores.

Refer to pages L119 – L120 for Core prices.

► HOW TO ORDER: IC CORE

Example: NM8050SSRH US26D with Schlage LFIC,

Order: part # 7000ICMC as 2nd line item

Due to easy reversibility of NM Series, if handing is not available at time of shipment opposite hand will be shipped

STANDARD DISCOUNT ONLY

► QUICKMARK TEMPLATE

Available heavy duty steel template for fast and easy installation. Reduces installation time. Eliminates using paper templates.

Part # MTCAL List \$150.75

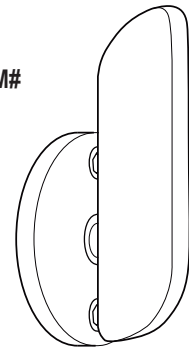
► OPTIONAL ADA THUMBTURN

Add \$19.91 List

Prefix "ADA" before Mortise lock **ITEM#**

Use **Part # "ADATHUMB"**

when ordering separately.



ADA THUMBTURN

► FOR 2" up to 2 1/4" Thick door

Order kit:

SSMKIT214 - for sectional trim

SEMKIT214 - for escutcheon trim

LIST \$56.28

► TACTILE

- Part # TAC Add \$39.76 List

► LEAD LINING

- Part # LEAD Add \$195.12 List

► ANTI MICROBIAL COATING

- Available on US26D and US32D finishes.
- **Add \$87.55 to List Price.**
- Specify "ANTB" when ordering.

► HOW TO ORDER

NM8050 – SS – RH US26D

1. Office Function

2. SS Trim Sectional

3. Right Hand

4. Satin Chrome





NM300 Series List Price

ELECTRIFIED MORTISE LOCKS

Available with or without deadbolt

FEATURES:

- UL and CUL Listings
- Continuous duty solenoids for cooler operation during “continuously on” applications
- Low current draw
- Numerous switch options
- 3 year “No Hassle” warranty

OPTIONS:

- Voltage requirement - 12V DC or 24V DC
- Amperage - 300mA @ 12V or 130mA @ 24V
- Solenoid coil resistance - 12V = 39.4 Ω or 24V = 173 Ω
- Power consumption - 3.65W @ 12V or 3.3W @ 24V
- Function – available Fail Safe, “Electrically Locked” (EL) or Fail Secure, “Electrically Unlocked” (EU)
- ▶ **Optional Switch, ADD \$70.44 to List Price**
 - **RX** – Request to Exit Switch (Monitors the inside handle)
 - **LBM** – Latch Bolt Monitoring Switch (Monitors the position of latch bolt)
 - **DPS** – Door Position Switch (*Sold Separately. Not installed on the lock.)

HOW TO ORDER ELECTRIFIED NM300 SERIES

- Use **NM Models** if ordered as an **ELECTRIFIED LOCK CASE ONLY**.
 - Use **ENM Models** if ordered as a complete lock with **ADD-ON list price**.
- Must Specify:** NM Series item # and Electrification Option
(*refer to table below*) separately.
- For Example:** NM8080SSRH US26D with ENM300 (EL 12V) option,
Order: NM8080SSRH US26D and ENM300-RH as two line items.

▶ Optional 1.6M Door Cable with Connector

- **2WC** (2-Wire with connector) - \$23.63 List each
- **4WC** (4-Wire with connector) - \$29.53 List each

▶ **HANDING: Non-Reversible. Must specify Left Hand (LH) or Right Hand (RH) when ordering.**

STOCK ITEM PRICES IN BOLD.
NON-STOCK FINISHES AND FUNCTIONS
AVAILABLE WITH FACTORY LEAD TIME
AND SUBJECT TO MINIMUM ORDER

ELECTRIFICATION OPTIONS (WITHOUT DEADBOLT)							
MODEL #	LIST PRICE (ADD ON)	EL	EU	12	24	RX	LBM
ENM300	\$231.23	✓		✓			
ENM301	\$301.66	✓		✓		✓	
ENM302	\$301.66	✓		✓			✓
ENM303	\$372.09	✓		✓		✓	✓
ENM304	\$231.23	✓			✓		
ENM305	\$301.66	✓			✓	✓	
ENM306	\$301.66	✓			✓		✓
ENM307	\$372.09	✓			✓	✓	✓
ENM308	\$231.23		✓	✓			
ENM309	\$301.66		✓	✓		✓	
ENM310	\$301.66		✓	✓			✓
ENM311	\$372.09		✓	✓		✓	✓
ENM312	\$231.23		✓		✓		
ENM313	\$301.66		✓		✓	✓	
ENM314			✓		✓		✓
ENM315	\$372.09		✓		✓	✓	✓

ELECTRIFIED LOCK CASE ONLY	
MODEL #	LIST PRICE
NM300	\$345.52
NM301	\$415.95
NM302	\$415.95
NM303	\$486.38
NM304	\$345.52
NM305	\$415.95
NM306	\$415.95
NM307	\$486.38
NM308	\$345.52
NM309	\$415.95
NM310	\$415.95
NM311	\$486.38
NM312	\$345.52
NM313	\$415.95
NM314	
NM315	\$486.38

ELECTRIFICATION OPTIONS (WITH DEADBOLT)							
MODEL #	LIST PRICE (ADD ON)	EL	EU	12	24	RX	LBM
ENM316	\$231.23	✓		✓			
ENM317	\$301.66	✓		✓		✓	
ENM318		✓		✓			✓
ENM319	\$372.09	✓		✓		✓	✓
ENM320	\$231.23	✓			✓		
ENM321	\$301.66	✓			✓	✓	
ENM322	\$301.66	✓			✓		✓
ENM323	\$372.09	✓			✓	✓	✓
ENM324	\$231.23		✓	✓			
ENM325	\$301.66		✓	✓		✓	
ENM326		✓	✓				✓
ENM327	\$372.09	✓	✓	✓		✓	✓
ENM328	\$231.23		✓		✓		
ENM329	\$301.66		✓		✓	✓	
ENM330	\$301.66		✓		✓		✓
ENM331	\$372.09		✓		✓	✓	✓

ELECTRIFIED LOCK CASE ONLY	
MODEL #	LIST PRICE
NM316	\$345.52
NM317	\$415.95
NM318	
NM319	\$486.38
NM320	\$345.52
NM321	\$415.95
NM322	\$415.95
NM323	\$486.38
NM324	\$345.52
NM325	\$415.95
NM326	
NM327	\$486.38
NM328	\$345.52
NM329	\$415.95
NM330	\$415.95
NM331	\$486.38

- ▶ *Electrified Mortise Lock Case can be purchased separately. Refer to table above for options.*
- ▶ *See pages L1-L15 for NM Series mortise lock stock functions and finishes.*



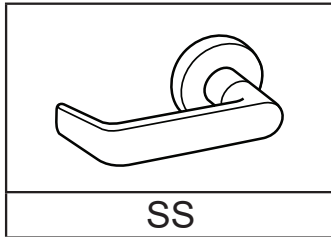


SC Series List Price

HEAVY DUTY, GRADE 1 MORTISE LOCKSET

Optional Interchangeable Core Small Format (Best, Falcon and Arrow) or Large Format (Schlage)

QUANTITY DISCOUNT
UP TO 30 UNITS MIXED ►
STANDARD DISCOUNT ONLY
31 - 60 UNITS MIXED ►► LESS 5%
61 AND MORE UNITS MIXED ►►► LESS 10%



	LIFETIME WARRANTY	BHMA CERTIFIED Be Safe. Be Secure. Look for the Mark.	MEETS The Buy American Act
--	--------------------------	---	--------------------------------------

STOCK ITEM PRICES IN BOLD. (FOR OTHER DESIGNS, SEE NEXT PAGE)
NON-STOCK FINISHES AVAILABLE WITH FACTORY LEAD TIME
AND SUBJECT TO MINIMUM ORDER

SS SECTIONAL TRIM ONLY

FUNCTIONS	ANSI	FINISHES			
		US26D	US32D, 32	US10B, 3, 26, 4, 19	
<i>Single cylinder without deadbolt</i>	SC8050 - Office / Entrance	F04	\$350.91	\$411.36	\$367.13
	SC8056 - Office with Automatic Unlocking	----	361.18	440.84	377.40
	SC8070 - Classroom	F05	350.91	411.36	367.13
	SC8076 - Classroom Hold-Back	F06	350.91		
	SC8080 - Storeroom	F07	350.91		
<i>Single cylinder with deadbolt</i>	SC8453 - Entrance	F20	361.18	440.84	377.40
	SC8456 - Corridor	F13			
	SC8465 - Closet / Storeroom with Deadbolt	----			
	SC8495 - Keyed Privacy with Indicator	----	471.75	551.41	495.34
	SC8485 - Faculty Restroom	----	427.52	499.82	448.21
	SC8486 - Faculty Restroom with Indicator	----	471.75	551.41	495.34
	SC8473 - Dormitory / Bedroom	F21	361.18	440.84	392.15
	SC8480 - Storeroom with Deadbolt	----	361.18		377.40
<i>Double cylinder without deadbolt</i>	SC8060 - Apartment Entrance	F09	390.67	468.84	405.41
	SC8082 - Asylum / Institution	F30			
	SC8071 - Classroom Security	F32			
	SC8077 - Classroom Security Hold-Back	----	390.67		
<i>Double cylinder with deadbolt</i>	SC8466 - Store Door Lock	F14	390.67	468.84	405.41
	SC8457 - Classroom Security with Deadbolt	F33			
	SC8458 - Classroom Security with Deadbolt and Auxiliary Latch	F34			
<i>Other Functions</i>	SC8040 - Privacy Bedroom / Bath	F22	316.96	395.13	331.70
	SC8044 - Privacy with Coin Turn Outside	----			
	SC8440 - Privacy with Deadbolt	F19	316.96		
	SC8444 - Privacy with Deadbolt & Coin Turn Outside	F19A	361.18	440.84	377.40
	SC8445 - Privacy with Deadbolt, Coin Turn Outside and Indicator	F19B	427.52	499.82	448.21
	SC8010 - Passage	F01	281.59	359.76	296.33
	SC8170 - Single Fixed Dummy	----	106.18	184.28	120.92
	SC8172 - Double Fixed Dummy	----	212.34	368.55	241.83
	SC8175 - Single Dummy with Lock Case	----			
	SC8176 - Double Dummy with Lock Case	----			

Optional Interchangeable Cores (See page L24 for additional charges). Prices do not include cores.
For IC Core pricing see pages L119 – L120. For Keying charges see page L129.



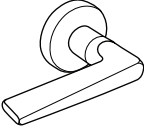
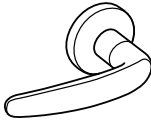
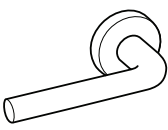
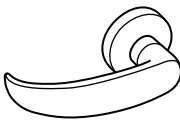
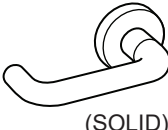
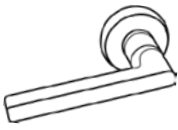


SC Series List Price

HEAVY DUTY, GRADE 1 MORTISE LOCKSET

Optional Interchangeable Core Small Format (Best, Falcon and Arrow) or Large Format (Schlage)

QUANTITY DISCOUNT
UP TO 30 UNITS MIXED ► STANDARD DISCOUNT ONLY
31 - 60 UNITS MIXED ►► LESS 5%
61 AND MORE UNITS MIXED ►►► LESS 10%

					
AS	GS	HS	JS	TS (SOLID)	WS

ALL ITEMS BELOW AVAILABLE WITH FACTORY LEAD TIME AND SUBJECT TO MINIMUM ORDER QUANTITY

AS, GS, HS, JS, TS, WS SECTIONAL TRIM ONLY

	FUNCTIONS	ANSI	FINISHES		
			US26D	US32D, 32	US10B, 3, 26, 4, 19
<i>Single cylinder without deadbolt</i>	SC8050 - Office / Entrance	F04	350.91	411.36	367.13
	SC8056 - Office with Automatic Unlocking	----	361.18	440.84	377.40
	SC8070 - Classroom	F05			
	SC8076 - Classroom Hold-Back	F06	350.91	411.36	367.13
	SC8080 - Storeroom	F07			
<i>Single cylinder with deadbolt</i>	SC8453 - Entrance	F20			
	SC8456 - Corridor	F13	361.18	440.84	377.40
	SC8465 - Closet / Storeroom with Deadbolt	----			
	SC8495 - Keyed Privacy with Indicator	----	471.75	551.41	495.34
	SC8485 - Faculty Restroom	----	427.52	499.82	448.21
	SC8486 - Faculty Restroom with Indicator	----	471.75	551.41	495.34
	SC8473 - Dormitory / Bedroom	F21			
SC8480 - Storeroom with Deadbolt	----	361.18	440.84	392.15 377.40	
<i>Double cylinder without deadbolt</i>	SC8060 - Apartment Entrance	F09			
	SC8082 - Asylum / Institution	F30			
	SC8071 - Classroom Security	F32	390.67	468.84	405.41
	SC8077 - Classroom Security Hold-Back	----			
<i>Double cylinder with deadbolt</i>	SC8466 - Store Door Lock	F14			
	SC8457 - Classroom Security with Deadbolt	F33	390.67	468.84	405.41
	SC8458 - Classroom Security with Deadbolt and Auxiliary Latch	F34			
<i>Other Functions</i>	SC8040 - Privacy Bedroom / Bath	F22			
	SC8044 - Privacy with Coin Turn Outside	----	316.96	395.13	331.70
	SC8440 - Privacy with Deadbolt	F19			
	SC8444 - Privacy with Deadbolt & Coin Turn Outside	F19A	361.18	440.84	377.40
	SC8445 - Privacy with Deadbolt, Coin Turn Outside and Indicator	F19B	427.52	499.82	448.21
	SC8010 - Passage	F01	281.59	359.76	296.33
	SC8170 - Single Fixed Dummy	----	106.18	184.28	120.92
	SC8172 - Double Fixed Dummy	----			
	SC8175 - Single Dummy with Lock Case	----	212.34	368.55	241.83
SC8176 - Double Dummy with Lock Case	----	281.59	359.76	296.33	

Optional Interchangeable Cores (See page L24 for additional charges). Prices do not include cores.
For IC Core pricing see pages L119 – L120. For Keying charges see page L129.



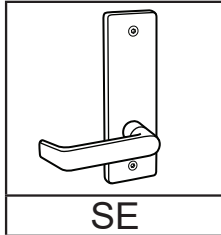


SC Series List Price

HEAVY DUTY, GRADE 1 WIDE ESCUTCHEON MORTISE LOCKSET

Optional Interchangeable Core Small Format (Best, Falcon and Arrow) or Large Format (Schlage)

QUANTITY DISCOUNT
UP TO 30 UNITS MIXED ►
STANDARD DISCOUNT ONLY
31 - 60 UNITS MIXED
►► LESS 5%
61 AND MORE UNITS
MIXED ►► LESS 10%



STOCK ITEM PRICES IN BOLD.
(FOR OTHER DESIGNS, SEE NEXT PAGE)
NON-STOCK FINISHES AVAILABLE
WITH FACTORY LEAD TIME
AND SUBJECT TO MINIMUM ORDER

SE WIDE ESCUTCHEON TRIM ONLY

FUNCTIONS		ANSI	FINISHES					
			US26D	US32D, 32	US10B, 3, 26, 4, 19			
<i>Single cylinder without deadbolt</i>	SC8050 - Office / Entrance	F04	\$390.67	\$468.84	\$405.41			
	SC8056 - Office with Automatic Unlocking	----	399.52	477.70	414.26			
	SC8070 - Classroom	F05	390.67	468.84	405.41			
	SC8076 - Classroom Hold-Back	F06	390.67					
	SC8080 - Storeroom	F07	390.67					
<i>Single cylinder with deadbolt</i>	SC8453 - Entrance	F20	399.52	477.70	414.26			
	SC8456 - Corridor	F13						
	SC8465 - Closet / Storeroom with Deadbolt	----	514.55	601.52	539.57			
	SC8495 - Keyed Privacy with Indicator	----						
	SC8485 - Faculty Restroom	----				487.97	570.56	511.58
	SC8486 - Faculty Restroom with Indicator	----				514.55	601.52	539.57
	SC8473 - Dormitory / Bedroom	F21				399.52	477.70	414.26
SC8480 - Storeroom with Deadbolt	----	399.52						
<i>Double cylinder without deadbolt</i>	SC8060 - Apartment Entrance	F09	418.73	496.85	433.47			
	SC8082 - Asylum / Institution	F30						
	SC8071 - Classroom Security	F32						
	SC8077 - Classroom Security Hold-Back	----				418.73		
<i>Double cylinder with deadbolt</i>	SC8466 - Store Door Lock	F14	418.73	496.85	433.47			
	SC8457 - Classroom Security with Deadbolt	F33						
	SC8458 - Classroom Security with Deadbolt and Auxiliary Latch	F34						
<i>Other Functions</i>	SC8040 - Privacy Bedroom / Bath	F22	374.50	452.61	390.67			
	SC8044 - Privacy with Coin Turn Outside	----						
	SC8440 - Privacy with Deadbolt	F19	374.50	477.70	414.26			
	SC8444 - Privacy with Deadbolt & Coin Turn Outside	F19A	399.52					
	SC8445 - Privacy with Deadbolt, Coin Turn Outside and Indicator	F19B	487.97			570.56	511.58	
	SC8010 - Passage	F01	328.79	408.39	345.02			
	SC8170 - Single Fixed Dummy	----	125.30	203.49	140.05			
	SC8172 - Double Fixed Dummy	----	250.62	406.97	280.10			
	SC8175 - Single Dummy with Lock Case	----						
	SC8176 - Double Dummy with Lock Case	----				328.79	408.39	345.02

Optional Interchangeable Cores (See page L24 for additional charges). Prices do not include cores.
For IC Core pricing see pages L119 – L120. For Keying charges see page L129.



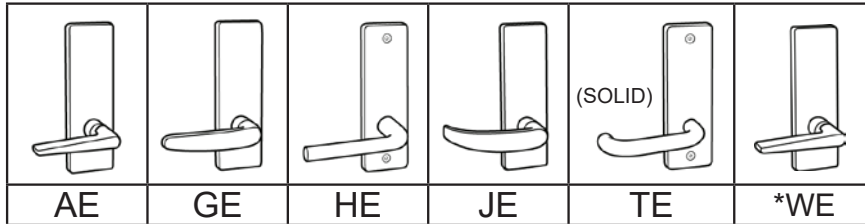


SC Series List Price

HEAVY DUTY, GRADE 1 WIDE ESCUTCHEON MORTISE LOCKSET

Optional Interchangeable Core Small Format (Best, Falcon and Arrow) or Large Format (Schlage)

QUANTITY DISCOUNT
UP TO 30 UNITS MIXED ►
STANDARD DISCOUNT ONLY
31 - 60 UNITS MIXED
►► LESS 5%
61 AND MORE UNITS
MIXED ►► LESS 10%



***WE TRIM US26D FINISH STOCK ITEM PRICES IN BOLD.**
ALL OTHER LEVER TRIMS ARE AVAILABLE WITH FACTORY LEAD TIME AND SUBJECT TO MINIMUM ORDER QUANTITY

AE, GE, HE, JE, TE, WE WIDE ESCUTCHEON TRIM ONLY

	FUNCTIONS	ANSI	FINISHES				
			US26D	US32D, 32	US10B, 3, 26, 4, 19		
<i>Single cylinder without deadbolt</i>	SC8050 - Office / Entrance	F04	\$390.67	\$468.84	\$405.41		
	SC8056 - Office with Automatic Unlocking	----	399.52	477.70	414.26		
	SC8070 - Classroom	F05	390.67	468.84	405.41		
	SC8076 - Classroom Hold-Back	F06	390.67				
	SC8080 - Storeroom	F07	399.52	477.70	414.26		
<i>Single cylinder with deadbolt</i>	SC8453 - Entrance	F20	399.52				
	SC8456 - Corridor	F13	399.52				
	SC8465 - Closet / Storeroom with Deadbolt	----	514.55			601.52	539.57
	SC8495 - Keyed Privacy with Indicator	----	487.97			570.56	511.58
	SC8485 - Faculty Restroom	----	514.55			601.52	539.57
	SC8486 - Faculty Restroom with Indicator	----	399.52			477.70	414.26
	SC8473 - Dormitory / Bedroom	F21	399.52			477.70	414.26
SC8480 - Storeroom with Deadbolt	----						
<i>Double cylinder without deadbolt</i>	SC8060 - Apartment Entrance	F09	418.73	496.85	433.47		
	SC8082 - Asylum / Institution	F30					
	SC8071 - Classroom Security	F32					
	SC8077 - Classroom Security Hold-Back	----					
<i>Double cylinder with deadbolt</i>	SC8466 - Store Door Lock	F14	418.73	496.85	433.47		
	SC8457 - Classroom Security with Deadbolt	F33					
	SC8458 - Classroom Security with Deadbolt and Auxiliary Latch	F34					
<i>Other Functions</i>	SC8040 - Privacy Bedroom / Bath	F22	374.50	452.61	390.67		
	SC8044 - Privacy with Coin Turn Outside	----					
	SC8440 - Privacy with Deadbolt	F19					
	SC8444 - Privacy with Deadbolt & Coin Turn Outside	F19A	399.52	477.70	414.26		
	SC8445 - Privacy with Deadbolt, Coin Turn Outside and Indicator	F19B	487.97	570.56	511.58		
	SC8010 - Passage	F01	328.79	408.39	345.02		
	SC8170 - Single Fixed Dummy	----	125.30	203.49	140.05		
	SC8172 - Double Fixed Dummy	----	250.62	406.97	280.10		
	SC8175 - Single Dummy with Lock Case	----					
	SC8176 - Double Dummy with Lock Case	----				328.79	408.39

All keyed lock functions are available with Best, Falcon and Arrow, Schlage, Corbin / Russwin, Sargent, and Yale Large Format Interchangeable Cores (See page L24 for additional charges). Prices do not include cores.

For IC Core pricing see pages L119 – L120. For Keying charges see page L129.

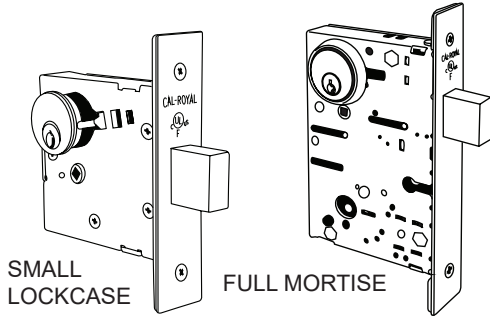




SC Series List Price

HEAVY DUTY, GRADE 1 MORTISE DEADBOLTS

Optional Interchangeable Core Small Format (Best, Falcon and Arrow) or Large Format (Schlage)



QUANTITY DISCOUNT
 UP TO 30 UNITS MIXED ► STANDARD DISCOUNT ONLY
 31 - 60 UNITS MIXED ►► LESS 5%
 61 AND MORE UNITS MIXED ►►► LESS 10%

STOCK ITEM PRICES IN BOLD and SHADED AREAS
 NON-STOCK FINISHES AVAILABLE WITH FACTORY LEAD TIME AND SUBJECT TO MINIMUM ORDER

MODEL#	ANSI	LIST PRICE EACH		FUNCTIONS	MODEL#	ANSI	LIST PRICE EACH		
		US26D, 32D	US10B, 3, 26, 4, 19				US26D	US32D	US10B, 3, 26, 4, 19
SM140	---	\$128.14	\$140.68	Cylinder and Thumbturn Deadbolt thrown or retracted by key outside or thumbturn inside.	SC8460	F17	\$168.83	\$168.83	\$185.97
SM143	---	142.25	156.27	Double Cylinder Deadbolt operated by key on either side.	SC8462	F16	179.74	179.74	198.45
SM141	---	142.25	156.27	Classroom Lock Deadbolt thrown or retracted by key from outside. Inside thumbturn cylinder retracts deadbolt but cannot project it.	SC8463	F29	179.74	179.74	198.45
SM142	---	120.35	132.83	Cylinder Lock Deadbolt thrown or retracted by key from outside only. No trim on opposite side.	SC8464	F18	164.08	164.08	181.31
SM145	---	112.05	125.24	Door Bolt Deadbolt thrown or retracted by thumbturn from one side. No trim on opposite side.	SC8461	---	290.31	290.31	317.80
SM146	---	235.87	264.22	Deadbolt with "OCCUPIED" indicator Deadbolt thrown or retracted by key outside or thumbturn inside. "OCCUPIED" plate is displayed when deadbolt is thrown.	SC8496	---	290.31	290.31	317.80

Optional Interchangeable Cores (See page L24 for additional charges). Prices do not include cores. For IC Core pricing see pages L119 – L120. For Keying charges see page L129.





SC Series List Price

HEAVY DUTY, GRADE 1 MORTISE LOCKSET WITH CLUTCH

Optional Interchangeable Core Small Format (Best, Falcon and Arrow) or Large Format (Schlage)

► **PACKAGING INCLUDES**

- 6 locks per case
- UL listed single point latch
- Standard "C", 6-pin cylinder
- Non-handed strike

► **KEYWAYS**

6-pin solid brass "C" keyway standard. Optional: Schlage E, Schlage C-K, Russwin D1-2-3-4, Corbin 59 / 60, Arrow A, Corbin-Russwin L4, Sargent LA-LB-LC, Falcon / Weiser E, Yale 8, Yale GA and Kwikset. Can also accept Medeco, Assa, Kaba and **Cal-Royal HSK** High Security Cylinders. See **page L129** for keying charges and Cylinder PART #.

ADD \$35.44 List Each

When using 1 1/8" length Mortise Cylinder (for Sectional trim) and 1 1/4" length Mortise Cylinder (for Escutcheon),

MUST USE SCHLAGE CAM supplied by Cal-Royal.

Part # KC-S7 List \$1.49

► **IC CORE**

All keyed lock functions are available with Small Format and Large Format Interchangeable Cores.

ORDER: Mortise Housing PART # as 2nd Line Item:

- for **Best, Falcon & Arrow SFIC** - Part # **ICH961387 @ \$45.86 List**
- for **Schlage LFIC** - Part # **7000ICMC @ 46.92 List**
- for **Corbin / Russwin LFIC** - Part # **KM-LFH-CR @ \$46.92 List**
- for **Sargent LFIC** - Part # **KM-LFH-SA @ \$46.92 List**
- for **Yale LFIC** - Part # **KM-LFH-YA @ \$46.92 List**

Prices do not include Cores.

Refer to pages L119 – L120 for Core prices.

► **HOW TO ORDER: IC CORE**

Example: SC8050SS US26D with Schlage LFIC,

Order: part # 7000ICMC as 2nd line item

STANDARD DISCOUNT ONLY

► FOR 2" up to 2 1/4" Thick door

Order kit:

SCSKIT200 - for sectional trim

SCEKIT214 - for escutcheon trim

LIST \$32.47

► **OPTIONAL ADA THUMBTURN**

ADD \$19.91 List

Prefix "ADA" before Mortise lock **ITEM#**

Use Part #:

SCSADA - ADA thumbturn for sectional trim

SCEADA - ADA thumbturn for escutcheon trim

when ordering separately.



ADA THUMBTURN

► **TACTILE**

- Part # TAC Add **\$39.76 List**

► **LEAD LINING**

- Part # LEAD Add **\$195.12 List**

► **ANTI MICROBIAL COATING**

- Available on US26D and US32D finishes.
- **Add \$87.55 to List Price.**
- Specify "ANTB" when ordering.

► **HOW TO ORDER**

SC8050 – SS – US26D

1. Office Function
2. SS Trim Sectional
4. Satin Chrome

ALL PRODUCTS ARE SHIPPED NON-HANDED.
EASILY FIELD REVERSIBLE





SC400 Series List Price

RETROFITS SCHLAGE L9000
(direct chassis replacement)

ELECTRIFIED MORTISE LOCKS

Available with or without deadbolt

FEATURES:

- UL and CUL Listings; ANSI BHMA A156.25 Certified
- Continuous duty solenoids for cooler operation during “continuously on” applications
- Allows for an AC or DC power source through an appropriate power supply. No polarity.
- Low current draw
- Numerous switch options
- 3 year “No Hassle” warranty

OPTIONS:

- Voltage requirement - 12V AC / DC or 24V AC / DC
- Amperage - 600mA ±10% @ 12V or 300mA ±10% @ 24V
- Solenoid coil resistance - 12V = 20 Ω ±5% or 24V = 80 Ω ±5%
- Power consumption - 7.2 watts ±10%
- Function – available Fail Safe, “Electrically Locked” (EL) or Fail Secure, “Electrically Unlocked” (EU)

HOW TO ORDER ELECTRIFIED SC400 SERIES

- Use **SC Models** if ordered as an **ELECTRIFIED LOCK CASE ONLY**.
 - Use **ESC Models** if ordered as a complete lock with **ADD-ON list price**.
- Must Specify:** SC Series item # and Electrification Option (refer to table below) separately.
- For Example:** SC8080SS US26D with ESC400 (EL 12V) option,
Order: SC8080SS US26D and ESC400 as two line items.

► Optional Switch, ADD \$70.44 to List Price

- **RX** – Request to Exit Switch (Monitors the inside handle)
- **LBM** – Latch Bolt Monitoring Switch (Monitors the position of latch bolt)
- **DPS** – Door Position Switch (*Sold Separately. Not installed on the lock.)

STOCK ITEM PRICES IN BOLD.
NON-STOCK FINISHES AND FUNCTIONS AVAILABLE WITH FACTORY LEAD TIME AND SUBJECT TO MINIMUM ORDER

ELECTRIFICATION OPTIONS (WITHOUT DEADBOLT)							ELECTRIFIED LOCK CASE ONLY		
MODEL #	LIST PRICE (ADD ON)	EL	EU	12	24	RX	LBM	MODEL #	LIST PRICE
ESC400	\$231.23	✓		✓				SC400	\$345.52
ESC400-RX	\$301.66	✓		✓		✓		SC400-RX	\$415.95
ESC400-LBM	\$301.66	✓		✓			✓	SC400-LBM	\$415.95
ESC400-RXLBM	\$372.09	✓		✓		✓	✓	SC400-RXLBM	\$486.38
ESC404	\$231.23	✓			✓			SC404	\$345.52
ESC404-RX	\$301.66	✓			✓	✓		SC404-RX	\$415.95
ESC404-LBM	\$301.66	✓			✓		✓	SC404-LBM	\$415.95
ESC404-RXLBM	\$372.09	✓			✓	✓	✓	SC404-RXLBM	\$486.38
ESC408	\$231.23		✓	✓				SC408	\$345.52
ESC408-RX	\$301.66		✓	✓		✓		SC408-RX	\$415.95
ESC408-LBM	\$301.66		✓	✓			✓	SC408-LBM	\$415.95
ESC408-RXLBM	\$372.09		✓	✓		✓	✓	SC408-RXLBM	\$486.38
ESC412	\$231.23		✓		✓			SC412	\$345.52
ESC412-RX	\$301.66		✓		✓	✓		SC412-RX	\$415.95
ESC412-LBM			✓		✓		✓	SC412-LBM	
ESC412-RXLBM	\$372.09		✓		✓	✓	✓	SC412-RXLBM	\$486.38

ELECTRIFICATION OPTIONS (WITH DEADBOLT)							ELECTRIFIED LOCK CASE ONLY		
MODEL #	LIST PRICE (ADD ON)	EL	EU	12	24	RX	LBM	MODEL #	LIST PRICE
ESC416	\$231.23	✓		✓				SC416	\$345.52
ESC416-RX	\$301.66	✓		✓		✓		SC416-RX	\$415.95
ESC416-LBM		✓		✓			✓	SC416-LBM	
ESC416-RXLBM	\$372.09	✓		✓		✓	✓	SC416-RXLBM	\$486.38
ESC420	\$231.23	✓			✓			SC420	\$345.52
ESC420-RX	\$301.66	✓			✓	✓		SC420-RX	\$415.95
ESC420-LBM		✓			✓		✓	SC420-LBM	
ESC420-RXLBM	\$372.09	✓			✓	✓	✓	SC420-RXLBM	\$486.38
ESC424	\$231.23		✓	✓				SC424	\$345.52
ESC424-RX	\$301.66		✓	✓		✓		SC424-RX	\$415.95
ESC424-LBM		✓		✓			✓	SC424-LBM	
ESC424-RXLBM	\$372.09		✓	✓		✓	✓	SC424-RXLBM	\$486.38
ESC428	\$231.23		✓		✓			SC428	\$345.52
ESC428-RX	\$301.66		✓		✓	✓		SC428-RX	\$415.95
ESC428-LBM	\$301.66		✓		✓		✓	SC428-LBM	\$415.95
ESC428-RXLBM	\$372.09		✓		✓	✓	✓	SC428-RXLBM	\$486.38

► Electrified Mortise Lock Case can be purchased separately. Refer to table above for options.

► See pages L19-L22 for SC Series mortise lock stock functions and finishes.





SC400 Series List Price

RETROFITS SCHLAGE L9000
(direct chassis replacement)

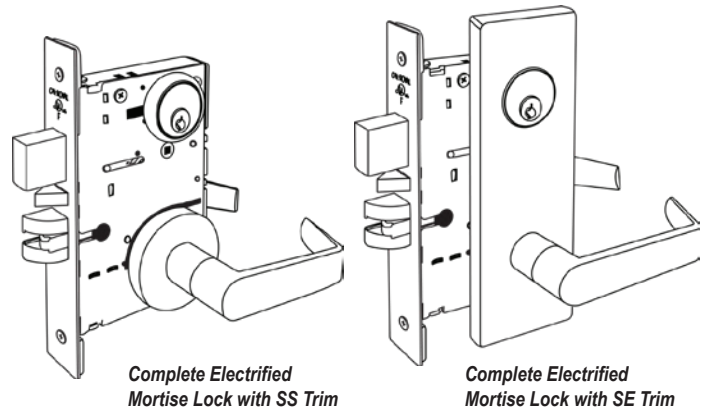
ELECTRIFIED MORTISE LOCKS

Available with or without deadbolt

FEATURES:

- UL & CUL Listings; ANSI BHMA A156.25 Certified
- Continuous duty solenoids for cooler operation during “continuously on” applications
- Power Source: DC
- Low current draw
- 1 year “No Hassle” warranty
- Voltage requirement - **dual voltage 12-24V DC** (equipped with electronic step down transformer to convert 24V to 12V)
- Amperage - 300mA @ 12V
- Solenoid coil resistance - 12V = 41 Ω
- Power consumption - approx. 7.2 watts = 24V
approx. 3.6 watts = 12V
- Function – available Fail Safe, “Electrically Locked” (EL) or Fail Secure, “Electrically Unlocked” (EU)

ALL-IN-ONE FEATURE
(Universal Dual Voltage 12 to 24 VDC,
Field Convertible EL to EU & Vice Versa)



OPTIONS:

- available with or without Deadbolt
- **RX** – Request to Exit Switch (Monitors the inside handle)
- **LBM** – Latch Bolt Monitoring Switch (Monitors the position of latch bolt)
- **DPS** – Door Position Switch (*Sold Separately. Not installed on the lock.)

STOCK ITEM PRICES IN BOLD.
NON-STOCK TRIMS, FINISHES & FUNCTIONS
AVAILABLE WITH FACTORY LEAD TIME
AND SUBJECT TO MINIMUM ORDER

ELECTRIFIED MORTISE LOCK WITH SS TRIM					
ELECTRIFICATION OPTIONS (WITHOUT DEADBOLT)					
MODEL #	US26D LIST PRICE	EL / EU	12-24V	RX	LBM
SC450-SS	\$628.88	✓	✓		
SC460-RX-SS	714.38	✓	✓	✓	
SC470-LBM-SS	714.38	✓	✓		✓
SC480-RXLBM-SS	805.50	✓	✓	✓	✓

ELECTRIFIED MORTISE LOCK WITH SE TRIM					
ELECTRIFICATION OPTIONS (WITHOUT DEADBOLT)					
MODEL #	US26D LIST PRICE	EL / EU	12-24V	RX	LBM
SC450-SE	\$669.38	✓	✓		
SC460-RX-SE	752.63	✓	✓	✓	
SC470-LBM-SE	752.63	✓	✓		✓
SC480-RXLBM-SE	837.00	✓	✓	✓	✓

ELECTRIFICATION OPTIONS (WITH DEADBOLT)					
MODEL #	US26D LIST PRICE	EL / EU	12-24V	RX	LBM
SC455-SS	\$610.88	✓	✓		
SC465-RX-SS	694.13	✓	✓	✓	
SC475-LBM-SS	694.13	✓	✓		✓
SC485-RXLBM-SS	769.50	✓	✓	✓	✓

ELECTRIFICATION OPTIONS (WITH DEADBOLT)					
MODEL #	US26D LIST PRICE	EL / EU	12-24V	RX	LBM
SC455-SE	\$650.25	✓	✓		
SC465-RX-SE	731.25	✓	✓	✓	
SC475-LBM-SE	731.25	✓	✓		✓
SC485-RXLBM-SE	803.25	✓	✓	✓	✓

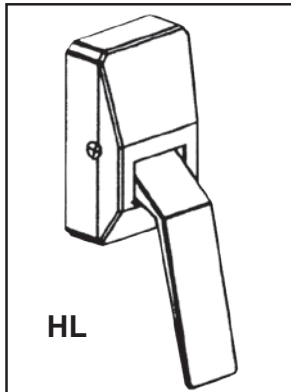




HL Series List Price

HOSPITAL LATCH (HL TRIM)
HEAVY DUTY, GRADE 1 MORTISE LOCKSET

Optional Interchangeable Core Small Format (Best, Falcon and Arrow)
or Large Format (Schlage)



QUANTITY DISCOUNT
UP TO 30 UNITS MIXED ► STANDARD DISCOUNT ONLY
31 - 60 UNITS MIXED ►► LESS 5%
61 AND MORE UNITS MIXED ►►► LESS 10%

STOCK ITEM PRICES IN BOLD
NON-STOCK FINISHES AVAILABLE WITH FACTORY LEAD TIME AND SUBJECT TO MINIMUM ORDER

HL SERIES TRIM ONLY								
FUNCTIONS	ANSI	FINISHES						
		US26D	US32D	US32	US10B	US3	US26	US4
◀Single cylinder without deadbolt								
SC8050HL - Office / Entrance	F04	\$815.28	\$962.70	\$962.70	\$815.28	\$855.03	\$855.03	\$855.03
SC8070HL - Classroom	F05	815.28						
◀Single cylinder with deadbolt								
SC8453HL - Entrance	F20	841.78	1034.92	1034.92	841.78	881.62	881.62	881.62
SC8456HL - Corridor	F13							
SC8473HL - Dormitory / Bedroom	F21							
◀Double cylinder without deadbolt								
SC8060HL - Apartment Entrance	F09	911.10	1104.23	1104.23	911.10	949.44	949.44	949.44
SC8082HL - Asylum / Institution	F30							
◀Double cylinder with deadbolt								
SC8411HL - Dormitory or Exit Lock	F11	953.84	1155.83	1155.83	953.84	992.18	992.18	992.18
SC8466HL - Store Door Lock	F14	911.10	1104.23	1104.23	911.10	949.44	949.44	949.44
◀Other Functions								
SC8440HL - Privacy with Deadbolt	F19	731.22	924.36	924.36	731.22	769.57	769.57	769.57
SC8049HL - Privacy Bedroom / Bath	F22	769.57	970.07	970.07	769.57	809.39	809.39	809.39
SC8010HL - Passage	F01	644.27	838.88	838.88	644.27	684.09	684.09	684.09

All keyed lock functions are available with Best, Falcon and Arrow, Schlage, Corbin / Russwin, Sargent, and Yale Large Format Interchangeable Cores (See page L24 for additional charges). Prices do not include cores. For IC Core pricing see pages L119 – L120. For Keying charges see page L129.



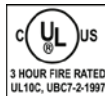


LG Series List Price

LIGATURE RESISTANT LG TRIM
HEAVY DUTY, GRADE 1 MORTISE LOCKSET

Optional Interchangeable Core Small Format (Best, Falcon and Arrow) or Large Format (Schlage)

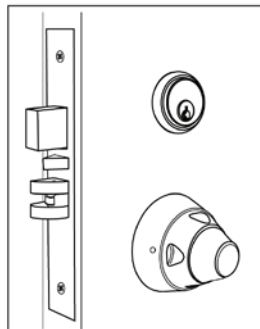
QUANTITY DISCOUNT
UP TO 30 UNITS MIXED ► STANDARD DISCOUNT ONLY
31 - 60 UNITS MIXED ►► LESS 5%
61 AND MORE UNITS MIXED ►►► LESS 10%



LIFETIME WARRANTY

BHMA CERTIFIED
Be Safe. Be Secure. Look for the Mark.

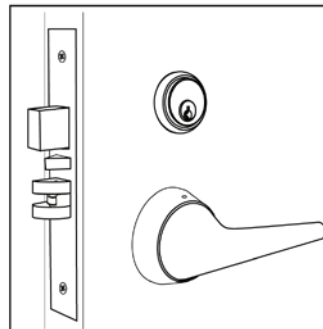
MEETS
The Buy American Act



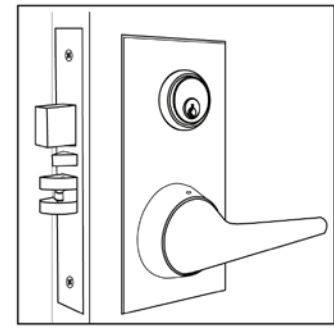
LGK



LGX



LGS



LGE

STOCK ITEM PRICES IN BOLD
NON-STOCK FINISHES AVAILABLE WITH FACTORY LEAD TIME AND SUBJECT TO MINIMUM ORDER

LG SERIES TRIM ONLY

FUNCTIONS	ANSI	US32D FINISH			
		LGK	LGX	LGS	LGE
◀Single cylinder without deadbolt					
SC8050LG - Office / Entrance	F04				
SC8070LG - Lockable Patient Room (Classroom Lock)	F05	\$967.08	\$1256.05	\$1039.31	\$1328.27
SC8080LG - Medicine Storeroom (Storeroom Lock)	F07				
SC8026LG - Supervisor Office or Privacy Room (Institutional Privacy)	F26	1076.16	1365.12	1155.83	1429.98
◀Single cylinder with deadbolt					
SC8456LG - Nurse Dormitory with Deadbolt (Corridor)	F13				
SC8453LG - Entrance	F20	996.57	1285.54	1068.80	1357.75
SC8473LG - Dormitory / Bedroom	F21				
SC8465LG - Closet / Storeroom with Deadbolt	----	1076.16	1365.12	1155.83	1429.98
◀Double cylinder without deadbolt					
SC8060LG - Apartment Entrance Lock	F09				
SC8082LG - Asylum with Double Cylinder (Asylum or Institution Lock)	F30	1076.16	1365.12	1155.83	1429.98
SC8071LG - Lockable Patient Room (Classroom Security Intruder Latchbolt)	F32				
◀Double cylinder with deadbolt					
SC8411LG - Keyed Only with Deadbolt and Latchbolt (Dormitory / Exit Lock)	F11	1076.16	1365.12	1155.83	1429.98
SC8457LG - Medical Academy Conference Room (Classroom Security Intruder Deadbolt)	F33	1076.16	1365.12	1155.83	1429.98
◀Other Functions					
SC8458LG - Classroom with Deadbolt & Auxiliary Latch	F34	1076.16	1365.12	1155.83	1429.98
SC8010LG - Passage Latch	F01	894.87	1183.83	967.08	1256.05
SC8049LG - Privacy Bedroom / Bath (Privacy with Emergency Key)	F22	924.36	1213.31	996.57	1285.54
SC8440LG - Privacy with Deadbolt	F19	924.36	1213.31	996.57	1285.54

Optional Interchangeable Cores (See page L24 for additional charges). Prices do not include cores. For IC Core pricing see pages L119 – L120. For Keying charges see page L129.





LG Series List Price

LIGATURE RESISTANT LG TRIM
HEAVY DUTY, GRADE 1 MORTISE LOCKSET

Optional Interchangeable Core Small Format (Best, Falcon and Arrow)
or Large Format (Schlage)

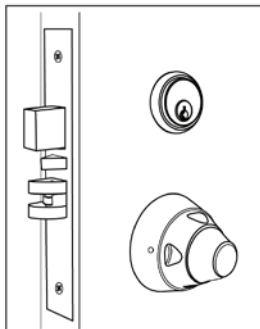


LIFETIME WARRANTY

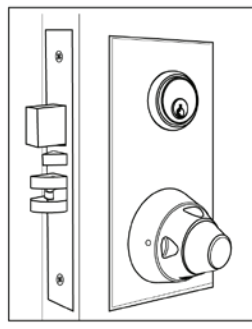
BHMA CERTIFIED
Be Safe. Be Secure. Look for the Mark.

MEETS
The Buy American Act

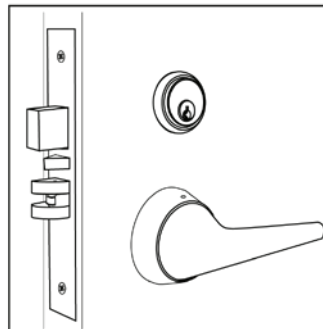
QUANTITY DISCOUNT
UP TO 30 UNITS MIXED ►
STANDARD DISCOUNT ONLY
31 - 60 UNITS MIXED ►► LESS 5%
61 AND MORE UNITS MIXED ►►► LESS 10%



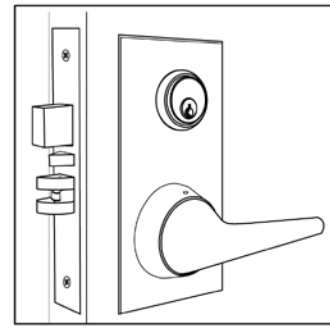
LGK



LGX



LGS



LGE

STOCK ITEM PRICES IN BOLD

NON-STOCK FINISHES AVAILABLE WITH FACTORY LEAD TIME AND SUBJECT TO MINIMUM ORDER

LG SERIES TRIM ONLY

FUNCTIONS	ANSI				US32D FINISH				
◀For Asylum use only no free exit	IT-Inside Thumbturn IL-Inside Lever IC-Inside Cylinder OC-Outside Cylinder								
	IT	IL	IC	OC		LGK	LGX	LGS	LGE
SC8031LG – Asylum w/o Inside Cylinder		✓		✓	Asylum-1				
SC8032LG – Asylum w/ Double Cylinder, w/o Inside Lever			✓	✓	Asylum-2	\$1400.49	\$1621.62	\$1459.46	\$1680.59
SC8033LG – Asylum w/o Inside Cylinder and Inside Lever				✓	Asylum-3				
SC8466LG – Asylum w/ Deadbolt, Double Cylinder		✓	✓	✓	Asylum-4 (F14)	1076.16	1365.12	1155.83	1429.98
SC8467LG – Asylum w/ Deadbolt, Double Cylinder, w/o Inside Cylinder		✓		✓	Asylum-5 w/ deadbolt				
SC8468LG – Asylum w/ Deadbolt, w/o Inside Lever			✓	✓	Asylum-6 w/ deadbolt	1407.86	1628.99	1466.83	1687.96
SC8469LG – Asylum w/ Deadbolt, w/o Inside Cylinder and Inside Lever				✓	Asylum-7 w/ deadbolt				
◀Other Keyed Functions									
SC8055LG – Female Patient Room 1	✓	✓		✓	Female Patient Room-1	1076.16	1365.12	1155.83	1429.98
SC8056LG – Female Patient Room 2	✓	✓		✓	Female Patient Room-2				

All keyed lock functions are available with Best, Falcon and Arrow, Schlage, Corbin / Russwin, Sargent, and Yale Large Format Interchangeable Cores (See page L24 for additional charges). Prices do not include cores. For IC Core pricing see pages L119 – L120. For Keying charges see page L129.





NM SERIES, Heavy Duty Mortise Lock COMPARISON CHART

FUNCTION	ILLUSTRATION	ANSI NO.	CAL-ROYAL MODEL NO	NT FALCON M SERIES	ARROW B Series	CORBIN/ RUSSWIN	SARGENT 7800 / 8200	SCHLAGE L SERIES	PDQ MR SERIES	YALE	HAGER
ENTRANCE or OFFICE		Single Cylinder Without Deadbolt									
		F04	NM8050	M521	BM22	ML2051	5	L9050	MR116	8807	3850
CLASSROOM		F05	NM8070	M561	BM17	ML2055	37	L9070	MR148	8808	3870
STOREROOM or CLOSET		F07	NM8080	M371	BM12	ML2057	4	L9080	MR115	8805	3880
APARTMENT / DORMITORY		Single Cylinder With Deadbolt									
		F20	NM8453	M531	BM11	ML2067	45	L9453	MR162	8847	3853
DORMITORY / BEDROOM		F21	NM8473	M541	BM20	ML2024	24	L9473	MR135	8860	---
CORRIDOR / EXIT		F13	NM8456	M571	BM19	ML2065	25	L9456	MR136	8822	---
KEYED PRIVACY INDICATOR		---	NM8495	M451	---	ML2024 M19	---	L9495 L9496	---	8864	---
CLOSET / STOREROOM		---	NM8465	---	---	---	27	L9465	MR139	---	---
INSTITUTION		Double Cylinder Without Deadbolt									
		F30	NM8082	M411	BM33	ML2032	17	L9082	---	8830-2	3882
STOREROOM UTILITY		Double Cylinder With Deadbolt									
		F14	NM8466	M371	BM31	ML2022	26	L9466	MR137	8860	----
PRIVACY or BATHROOM		Other Functions									
		F19	NM8440	M311	BM02	ML2020	65	L9040	MR178 MR179	8802	3840
PRIVACY WITH INDICATOR		F19B	NM8445	----	----	ML2020 M19	49	----	----	8862	3896
PASSAGE or CLOSET		F01	NM8010	M101	BM01	ML2010	13	L9010	MR126	8801	3810
SINGLE FIXED DUMMY		----	NM8170	M12	BM08	ML2050	93	L0170	MR211	8855	3817
DOUBLE FIXED DUMMY		---	NM8172	M18	BM09	ML2070	96	L0172	MR205	8838	3827





SC SERIES, Heavy Duty Mortise Lock COMPARISON CHART

FUNCTION	ILLUSTRATION	ANSI NO.	CAL-ROYAL MODEL NO	NT FALCON M SERIES	ARROW B Series	CORBINI/RUSSWIN	SARGENT 7800 / 8200	SCHLAGE L SERIES	PDO MR SERIES	YALE	HAGER
ENTRANCE or OFFICE		Single Cylinder Without Deadbolt									
		F04	SC8050	M521	BM22	ML2051	5	L9050	MR116	8807	3850
CLASSROOM		F05	SC8070	M561	BM17	ML2055	37	L9070	MR148	8808	3870
STOREROOM or CLOSET		F07	SC8080	M371	BM12	ML2057	4	L9080	MR115	8805	3880
ENTRANCE		Single Cylinder With Deadbolt									
		F20	SC8453	M531	BM11	ML2067	45	L9453	MR162	8847	3853
DORMITORY / BEDROOM		F21	SC8473	M541	BM20	ML2024	24	L9473	MR135	8860	---
CORRIDOR / EXIT		F13	SC8456	M571	BM19	ML2065	25	L9456	MR136	8822	
KEYED PRIVACY INDICATOR		---	SC8495	M451	---	ML2024 M19	---	L9495 L9496	---	8864	---
CLOSET / STOREROOM w/ DEADBOLT		---	SC8465	---	---	---	27	L9465	MR139	---	---
APARTMENT ENTRANCE / VESTIBULE		Double Cylinder Without Deadbolt									
		F09	SC8060	M381	BM32	ML2042	16	L9060	MR186	8817	----
INSTITUTION		F30	SC8082	M411	BM33	ML2032	17	L9082	---	8830-2	3882
STOREROOM UTILITY		Double Cylinder With Deadbolt									
		F14	SC8466	M371	BM31	ML2022	26	L9466	MR137	8860	----
PRIVACY or BATHROOM w/ DEADBOLT		Other Functions									
		F19	SC8440	M311	BM02	ML2020	65	L9040	MR178 MR179	8802	3840
PRIVACY WITH INDICATOR w/ DEADBOLT		F19B	SC8445	----	----	ML2020 M19	49	----	----	8862	3896
PASSAGE or CLOSET		F01	SC8010	M101	BM01	ML2010	13	L9010	MR126	8801	3810
SINGLE FIXED DUMMY		---	SC8170	M12	BM08	ML2050	93	L0170	MR211	8855	3817
DOUBLE FIXED DUMMY		---	SC8172	M18	BM09	ML2070	96	L0172	MR205	8838	3827





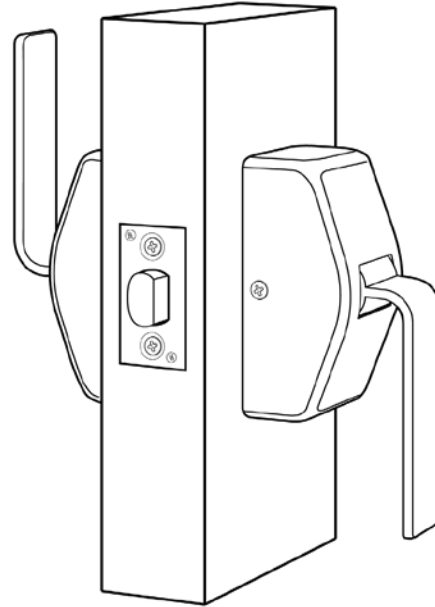
HOSPITAL PUSH / PULL LATCH

FOR 1 3/4" THICK DOORS



FEATURES

- UL-listed for use on all fire doors
- Meets ADA requirements
- Ideal for use in hospitals, washrooms or public buildings
- 6 possible PUSH-PULL mounting combinations
- Covers and paddles are made of stainless steel
- Non-Handed
- Standard T-Strike and plastic dust box
- 1 3/4" door thickness
- 2 3/4" backset standard, face plate 1 1/8" x 2 1/4"
- Optional 5" backset
- 2 5/8" x 4 3/8" Covers
- 2 5/8" Handle Projection



OPTIONS AVAILABLE

- Lead Lining
- Anti-Microbial
- ASA Strike

ITEM#	FUNCTIONS	DESCRIPTION	LIST PRICE EACH	PCS / INNER BOX	PCS / MC	UOM
			US32D			
HOS-PP30	Passage	Hospital Push / Pull Latch, Non-Handed Passage Function, UL- Listed, 2 3/4" or 5" Backset	\$253.60	1	10	Ea.
ULHOS-PAS-5	Latchbolt	UL- Listed 5" Backset Passage Latch	42.81	20	100	
ULHOS-PAS-234		UL- Listed 2 3/4" Backset Passage Latch	42.81	20	100	
HOS-ANTB	ADD ON	Anti Microbial Coating (Inside and Outside surfaces)	86.47	N/A		
HOS-LEAD		LEAD LINING	202.35	N/A		
ASA478	Strike	ASAANSI Strike	5.86	1	100	
EXASA-175	Strike	Extended Lip ANSI Strike	US32D, DURO 29.09	1	100	

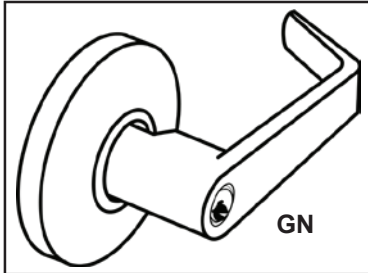




GENESYS Series List Price

**HEAVY DUTY CYLINDRICAL LEVERSETS WITH CLUTCH,
ANSI - A156.2, SERIES 4000, GRADE 1**

Optional Interchangeable Core for **BEST, FALCON & ARROW**



LIFETIME WARRANTY

BHMA CERTIFIED
Be Safe. Be Secure. Look for the Mark.

MEETS
The Buy American Act

QUANTITY DISCOUNT
UP TO 30 UNITS MIXED ► STANDARD DISCOUNT ONLY
31 - 60 UNITS MIXED ►► LESS 5%
61 AND MORE UNITS MIXED ►►► LESS 10%



STOCK ITEM PRICES IN BOLD.
NON-STOCK FINISHES AND DESIGNS AVAILABLE WITH FACTORY LEAD TIME AND SUBJECT TO MINIMUM ORDER

FUNCTIONS	ANSI	ITEM#	US26D	US32D	US1	US10BE, 10, 3, 4	US26	PCS / MC
Entrance	F109	CGN00	\$230.27	\$347.72	\$241.98	\$241.98	\$241.98	10
		⚙️ ICCGN00						
Entrance Push Button Lock	F82	CGN01	230.27	347.72	241.98	241.98	241.98	
		⚙️ ICCGN01						
Store lock - Non Clutch (keyed Dbl. cyl.)	F91	GN02	273.16	412.47	284.85	284.85	284.85	
		⚙️ ICGN02						
Classroom	F84	CGN03	238.07	359.48	249.76	249.76	249.76	
		⚙️ ICCGN03						
Communicating (keyed Dbl. cyl.)	F80	CGN04	273.16	412.47	284.85	284.85	284.85	
		⚙️ ICCGN04						
Storeroom	F86	CGN05	230.27	347.72	241.98	241.98	241.98	
		⚙️ ICCGN05						
Vestibule	F88	CGN06	273.16	412.47	284.85	284.85	284.85	
		⚙️ ICCGN06						
Classroom / Intruder	F110	CGN07	273.16	412.47	284.85	284.85	284.85	
		⚙️ ICCGN07						
Dormitory (Non-Clutch)	F90	GN101	238.07	359.48	249.76	249.76	249.76	
		⚙️ ICGN101						
Institution (keyed Dbl. cyl.)	F87	CGN09	273.16	412.47	284.85	284.85	284.85	
		⚙️ ICCGN09						
Privacy	F76	CGN20	214.61	324.06	222.48	222.48	222.48	
Hospital Privacy	---	HCGN20	230.84	348.57	247.57	247.57	247.57	
Passage	F75	GN30	175.64	265.20	187.32	187.32	187.32	
Exit	F89	GN50	175.64	265.20	187.32	187.32	187.32	
Single Dummy	----	GN40	58.55	88.40	62.44	62.44	62.44	20

⚙️ (IC) Indicates function available with Best, Falcon and Arrow Interchangeable Core. Prices do not include cores.
For IC Core pricing see pages L119 – L120. For Keying charges see page L129.



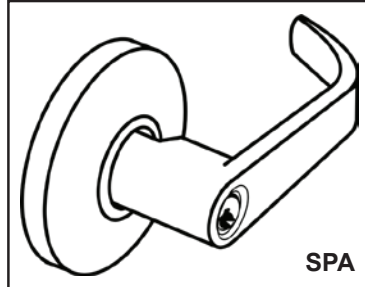
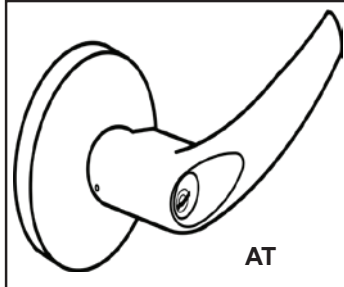


LOCKSETS PRICE LIST

Effective | APR 2025

HEAVY DUTY CYLINDRICAL LEVERSETS WITH CLUTCH ANSI - A156.2, SERIES 4000, GRADE 1

Optional Interchangeable Core for **BEST, FALCON & ARROW**



LIFETIME WARRANTY

BHMA CERTIFIED
Be Safe. Be Secure. Look for the Mark.

HURRICANE APPROVED HARDWARE
FLORIDA BUILDING CODE
FL13922-R9
ASTM E330-02 &
E1886-06/1996-06
TAS 201, 202, 203-04
UL10C-09

UL US
3 HOUR FIRE RATED
UL10C, UBC7-2-1997

MEETS
The Buy American Act

HURRICANE APPROVED HARDWARE
TEXAS EVALUATION ID
DR-472
ASTM E330-14/
E1886-13a/
E1896-14a

QUANTITY DISCOUNT
UP TO 30 UNITS MIXED ► STANDARD DISCOUNT ONLY
31 - 60 UNITS MIXED ►► LESS 5%
61 AND MORE UNITS MIXED ►►► LESS 10%

STOCK ITEM PRICES IN BOLD.
NON-STOCK FINISHES AND DESIGNS AVAILABLE WITH FACTORY LEAD TIME AND SUBJECT TO MINIMUM ORDER

FUNCTIONS	ANSI	ITEM#		US26D	US1	US10BE, 26, 10, 3, 4	PCS / MC
Entrance	F109	CAT00	CSPA00	\$230.27	\$241.98	\$241.98	10
		⊗ ICCAT00	⊗ ICCSPA00			241.98	
Entrance Push Button Lock	F82	CAT01	CSPA01	230.27	241.98	241.98	
		⊗ ICCAT01	⊗ ICCSPA01				
Store lock - Non Clutch (keyed Dbl. cyl.)	F91	AT02	SPA02	273.16	284.85	284.85	
		⊗ ICAT02	⊗ ICSPA02			284.85	
Classroom	F84	CAT03	CSPA03	238.07	249.76	249.76	
		⊗ ICCAT03	⊗ ICCSPA03			249.76	
Communicating (keyed Dbl. cyl.)	F80	CAT04	CSPA04	273.16	284.85	284.85	
		⊗ ICCAT04	⊗ ICCSPA04			284.85	
Storeroom	F86	CAT05	CSPA05	230.27	241.98	241.98	
		⊗ ICCAT05	⊗ ICCSPA05			241.98	
Vestibule	F88	CAT06	CSPA06	273.16	284.85	284.85	
		⊗ ICCAT06	⊗ ICCSPA06			284.85	
Classroom / Intruder	F110	CAT07	CSPA07	273.16	284.85	284.85	
		⊗ ICCAT07	⊗ ICCSPA07				
Institution (keyed Dbl. cyl.)	F87	CAT09	CSPA09	273.16	284.85	284.85	
		⊗ ICCAT09	⊗ ICCSPA09			284.85	
Privacy	F76	CAT20	CSPA20	214.61	222.48	222.48	
Hospital Privacy	---	HCAT20	HCSPA20	230.84	247.57	247.57	
Passage	F75	AT30	SPA30	175.64	187.32	187.32	
Exit	F89	AT50	SPA50	175.64	187.32	187.32	
Single Dummy	----	AT40	SPA40	58.55	62.44	62.44	20

⊗ (IC) Indicates function available with Best, Falcon and Arrow Interchangeable Core. Prices do not include cores.
For IC Core pricing see pages L119 – L120. For Keying charges see page L129.



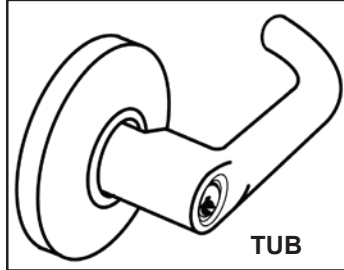
ATSI Technical Services, Inc.
6174 State Route 88, Finleyville, PA 15332

• Office: 724-969-2595
• Cell/Text: 703-283-6192 • Fax: 413-677-7814
• Email: Sales@assatechnicalservicesinc.com



**HEAVY DUTY CYLINDRICAL LEVERSETS WITH CLUTCH
ANSI - A156.2, SERIES 4000, GRADE 1**

Optional Interchangeable Core for **BEST, FALCON & ARROW**



LIFETIME WARRANTY

BHMA CERTIFIED
Be Safe. Be Secure. Look for the Mark.

MEETS
The Buy American Act

QUANTITY DISCOUNT
UP TO 30 UNITS MIXED ► STANDARD DISCOUNT ONLY
31 - 60 UNITS MIXED ►► LESS 5%
61 AND MORE UNITS MIXED ►►► LESS 10%



STOCK ITEM PRICES IN BOLD.
NON-STOCK FINISHES AND DESIGNS AVAILABLE WITH FACTORY LEAD TIME AND SUBJECT TO MINIMUM ORDER

FUNCTIONS	ANSI	ITEM#	US26D	US1	US10BE, 26, 10, 3, 4	PCS / MC
Entrance	F109	CTUB00	\$230.27	\$241.98	\$241.98	10
		⊗ ICCTUB00	230.27	241.98		
Entrance Push Button Lock	F82	CTUB01	230.27	241.98	241.98	
		⊗ ICCTUB01	230.27	241.98		
Store lock - Non Clutch (keyed Dbl. cyl.)	F91	TUB02	273.16	284.85	284.85	
		⊗ ICTUB02			284.85	
Classroom	F84	CTUB03	238.07	249.76	249.76	
		⊗ ICCTUB03	238.07	249.76	249.76	
Communicating (keyed Dbl. cyl.)	F80	CTUB04	273.16	284.85	284.85	
		⊗ ICCTUB04			284.85	
Storeroom	F86	CTUB05	230.27	241.98	241.98	
		⊗ ICCTUB05	230.27	241.98	241.98	
Vestibule	F88	CTUB06	273.16	284.85	284.85	
		⊗ ICCTUB06	273.16			
Classroom / Intruder	F110	CTUB07	273.16	284.85	284.85	
		⊗ ICCTUB07	273.16			
Institution (keyed Dbl. cyl.)	F87	CTUB09	273.16	284.85	284.85	
		⊗ ICCTUB09	273.16		284.85	
Privacy	F76	CTUB20	214.61	222.48	222.48	
Hospital Privacy	---	HCTUB20	230.84	247.57	247.57	
Passage	F75	TUB30	175.64	187.32	187.32	
Exit	F89	TUB50	175.64	187.32	187.32	
Single Dummy	----	TUB40	58.55	62.44	62.44	20

⊗ (IC) Indicates function available with Best, Falcon and Arrow Interchangeable Core. Prices do not include cores.
For IC Core pricing see pages L119 – L120. For Keying charges see page L129.





LOCKSETS PRICE LIST

Effective | APR 2025

HEAVY DUTY CYLINDRICAL LEVERSETS WITH CLUTCH ANSI - A156.2, SERIES 4000, GRADE 1



Optional Interchangeable Core for **BEST, FALCON & ARROW**

Optional Full Size Interchangeable Core for **SCHLAGE, SARGENT, CORBIN/RUSSWIN**

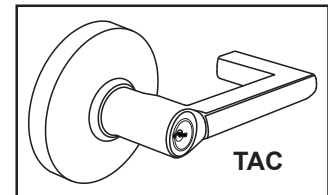
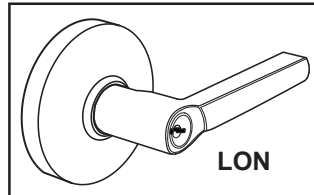
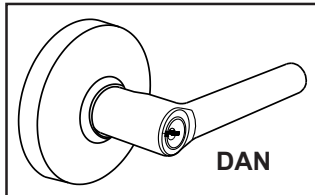
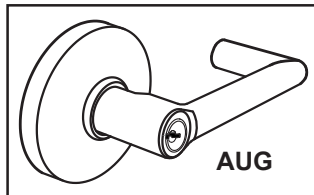


LIFETIME WARRANTY

BHMA CERTIFIED
Be Safe. Be Secure. Look for the Mark.

MEETS
The Buy American Act

QUANTITY DISCOUNT
UP TO 30 UNITS MIXED ► STANDARD DISCOUNT ONLY
31 - 60 UNITS MIXED ►► LESS 5%
61 AND MORE UNITS MIXED ►►► LESS 10%



To Order: Replace "LON" with design name when ordering. Example: CLON00 Entrance in "TAC" design is CTAC00.

STOCK ITEM PRICES IN BOLD.

NON-STOCK FINISHES AND DESIGNS AVAILABLE WITH FACTORY LEAD TIME AND SUBJECT TO MINIMUM ORDER

FUNCTIONS	ANSI	ITEM#	US26D	US10BE, 3, 10, 4	US26	US1	US15	PCS / MC
Entrance	F109	CLON00	\$447.93	\$459.27	\$459.27	\$459.27	\$459.27	10
		• • ICCLON00						
Entrance Push Button Lock	F82	CLON01	447.93	459.27	459.27	459.27		
		• • ICCLON01			459.27			
Store lock - Non Clutch (keyed Dbl. cyl.)	F91	LON02	524.48	535.82	535.82	535.82	535.82	
		• • ICCLON02						
Classroom	F84	CLON03	447.93	459.27	459.27	459.27	459.27	
		• • ICCLON03						
Communicating (keyed Dbl. cyl.)	F80	CLON04	524.48	535.82	535.82	535.82	535.82	
		• • ICCLON04						
Storeroom	F86	CLON05	447.93	459.27	459.27	459.27	459.27	
		• • ICCLON05						
Vestibule	F88	CLON06	524.48	535.82	535.82	535.82	535.82	
		• • ICCLON06						
Classroom / Intruder	F110	CLON07		535.82	535.82	535.82	535.82	
		• • ICCLON07						
Dormitory (Non-Clutch)	F90	• LON101	447.93	459.27	459.27	459.27	459.27	
Institution (keyed Dbl. cyl.)	F87	CLON09	524.48	535.82	535.82	535.82	535.82	
		• • ICCLON09						
Privacy	F76	CLON20	402.57	413.91	413.91	413.91	413.91	
Hospital Privacy	---	HCLON20						413.91
Passage	F75	LON30	320.36	331.70	331.70	331.70	331.70	
Exit	F89	LON50	320.36	331.70	331.70	331.70		
Single Dummy	----	LON40	143.17	148.84	148.84	148.84	148.84	20

• (IC) Indicates function available with Best, Falcon and Arrow Interchangeable Core.

• (6 Pin Only) For Schlage LFIC, prefix "ICSC" before part #. Example: "CLON00" with "ICSC", will be "ICSCCLON00"

• Available in US26D functions: **00, 03, 04, 05, 06, 07, 09, 101** & US10BE functions: **00, 03, 05**

• (6 Pin Only) For Sargent LFIC, prefix "SARIC" before part #. Example: "CLON00" with "SARIC", will be "SARICCLON00"

(6 or 7 Pin) For Corbin / Russwin LFIC, prefix "RUSIC" before part #. Example: "CLON00" with "RUSIC", will be "RUSICCLON00"

• Available in US26D only, functions: **00, 04, 05, 06, 07, 09, 101**

Prices do not include cores. For IC Core pricing see pages L119 – L120. For Keying charges see page L129.



ATSI Technical Services, Inc.
6174 State Route 88, Finleyville, PA 15332

Page

L35

• Office: 724-969-2595
• Cell/Text: 703-283-6192 • Fax: 413-677-7814
• Email: Sales@assatechnicalservicesinc.com

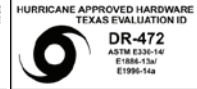


LOCKSETS PRICE LIST

Effective | APR 2025

HEAVY DUTY CYLINDRICAL LEVERSETS WITH CLUTCH ANSI - A156.2, SERIES 4000, GRADE 1

Optional Full Size Interchangeable Core for **SCHLAGE**

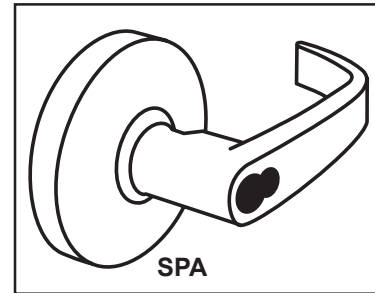
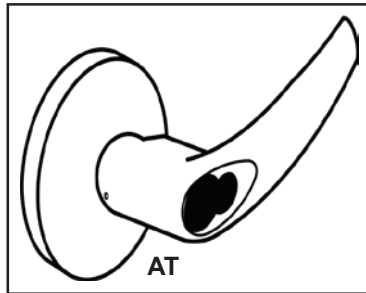
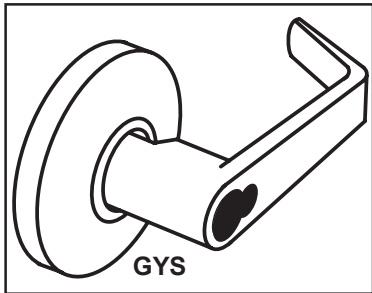


LIFETIME WARRANTY

BHMA CERTIFIED
Be Safe. Be Secure. Look for the Mark.

MEETS
The Buy American Act

QUANTITY DISCOUNT
UP TO 30 UNITS MIXED ► STANDARD DISCOUNT ONLY
31 - 60 UNITS MIXED ►► LESS 5%
61 AND MORE UNITS MIXED ►►► LESS 10%



STOCK ITEM PRICES IN BOLD.
NON-STOCK FINISHES AND DESIGNS AVAILABLE WITH FACTORY LEAD TIME AND SUBJECT TO MINIMUM ORDER

FUNCTIONS	ANSI	ITEM#	US26D	US10BE	US3, 10, 26, 4	PCS / MC
Entrance	F109	⚙️ ICGYS00	\$230.27	\$241.98	\$241.98	10
Storeroom	F86	⚙️ ICGYS05				
Classroom	F84	⚙️ ICGYS03	273.16	284.85	284.85	
Communicating (keyed Dbl. cyl.)	F80	⚙️ ICGYS04	238.07	249.76	249.76	
Vestibule	F88	⚙️ ICGYS06	273.16	284.85	284.85	
Classroom/ Intruder	F110	⚙️ ICGYS07				
Institution (keyed Dbl. cyl.)	F87	⚙️ ICGYS09				
Dormitory (Non-Clutch)	F90	⚙️ ICGYS101				

FUNCTIONS	ANSI	ITEM#	US26D	US10B, 10BE	US3	PCS / MC
Entrance	F109	⚙️ ICSCCAT00	\$278.69	\$293.42	\$293.42	10
Storeroom	F86	⚙️ ICSCCAT05	287.47	302.21	302.21	
Classroom	F84	⚙️ ICSCCAT03	330.28	345.02	345.02	
Communicating (keyed Dbl. cyl.)	F80	⚙️ ICSCCAT04	278.69	293.42	293.42	
Vestibule	F88	⚙️ ICSCCAT06	330.28	345.02	345.02	
Classroom/ Intruder	F110	⚙️ ICSCCAT07				
Institution (keyed Dbl. cyl.)	F87	⚙️ ICSCCAT09				
Dormitory (Non-Clutch)	F90	⚙️ ICSCCAT101				

FUNCTIONS	ANSI	ITEM#	US26D	US10B, 10BE	US3	PCS / MC
Entrance	F109	⚙️ ICSCCSPA00	\$278.69	\$293.42	\$293.42	10
Storeroom	F86	⚙️ ICSCCSPA05	287.47	302.21	302.21	
Classroom	F84	⚙️ ICSCCSPA03	330.28	345.02	345.02	
Communicating (keyed Dbl. cyl.)	F80	⚙️ ICSCCSPA04	278.69	293.42	293.42	
Vestibule	F88	⚙️ ICSCCSPA06	330.28	345.02	345.02	
Classroom/ Intruder	F110	⚙️ ICSCCSPA07				
Institution (keyed Dbl. cyl.)	F87	⚙️ ICSCCSPA09				
Dormitory (Non-Clutch)	F90	⚙️ ICSCCSPA101				

⚙️ (ICSC) Indicates function available with Schlage Full Size Interchangeable Core. **6 PIN ONLY**

Prices do not include cores. For IC Core pricing see page L120.

For Keying charges see page L129.



ATSI Technical Services, Inc.
6174 State Route 88, Finleyville, PA 15332

• Office: 724-969-2595
• Cell/Text: 703-283-6192 • Fax: 413-677-7814
• Email: Sales@assatechnicalservicesinc.com

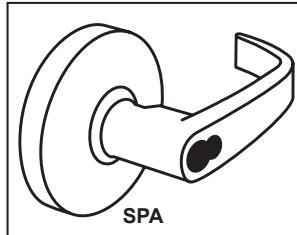
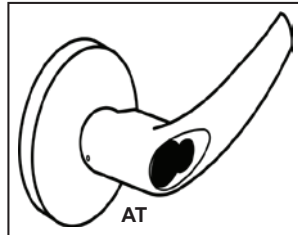
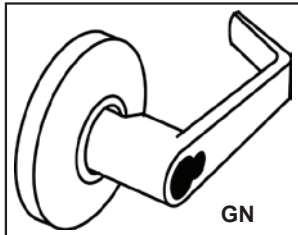


LOCKSETS PRICE LIST

Effective | APR 2025

HEAVY DUTY CYLINDRICAL LEVERSETS WITH CLUTCH ANSI - A156.2, SERIES 4000, GRADE 1

Optional Full Size Interchangeable Core for **SARGENT, CORBIN/RUSSWIN, YALE**



QUANTITY DISCOUNT
UP TO 30 UNITS MIXED ▶
STANDARD DISCOUNT ONLY
31 - 60 UNITS MIXED
▶▶ LESS 5%
61 AND MORE UNITS MIXED
▶▶ LESS 10%

STOCK ITEM PRICES IN BOLD.

NON-STOCK FINISHES AND DESIGNS AVAILABLE WITH FACTORY LEAD TIME AND SUBJECT TO MINIMUM ORDER

FUNCTIONS	ANSI	ITEM#			US26D	US10B, 10BE, US3, 4, 10, 26	PCS / MC
Entrance	F109	SARICCGN00	SARICCAT00	SARICCSPA00	\$278.69	\$293.42	10
Classroom	F84	SARICCGN03	SARICCAT03	SARICCSPA03	287.47	302.21	
Communicating (keyed Dbl. cyl.)	F80	SARICCGN04	SARICCAT04	SARICCSPA04	330.28	345.02	
Storeroom	F86	SARICCGN05	SARICCAT05	SARICCSPA05	278.69	293.42	
Vestibule	F88	SARICCGN06	SARICCAT06	SARICCSPA06	330.28	345.02	
Classroom / Intruder	F110	SARICCGN07	SARICCAT07	SARICCSPA07			
Institution (keyed Dbl. cyl.)	F87	SARICCGN09	SARICCAT09	SARICCSPA09			
Dormitory (Non-Clutch)	F90	SARICGN101	SARICAT101	SARICSPA101			

FUNCTIONS	ANSI	ITEM#			US26D	US10B, 10BE, US3, 4, 10, 26	PCS / MC
Entrance	F109	RUSICCGN00	RUSICCAT00	RUSICCSPA00	\$278.69	\$293.42	10
Classroom	F84	RUSICCGN03	RUSICCAT03	RUSICCSPA03	287.47	302.21	
Communicating (keyed Dbl. cyl.)	F80	RUSICCGN04	RUSICCAT04	RUSICCSPA04	330.28	345.02	
Storeroom	F86	RUSICCGN05	RUSICCAT05	RUSICCSPA05	278.69	293.42	
Vestibule	F88	RUSICCGN06	RUSICCAT06	RUSICCSPA06	330.28	345.02	
Classroom / Intruder	F110	RUSICCGN07	RUSICCAT07	RUSICCSPA07			
Institution (keyed Dbl. cyl.)	F87	RUSICCGN09	RUSICCAT09	RUSICCSPA09			
Dormitory (Non-Clutch)	F90	RUSICGN101	RUSICAT101	RUSICSPA101			

FUNCTIONS	ANSI	ITEM#			US26D	US10B, 10BE, US3, 4, 10, 26	PCS / MC
Entrance	F109	YALICCGN00	YALICCAT00	YALICCSPA00	\$278.69	\$293.42	10
Classroom	F84	YALICCGN03	YALICCAT03	YALICCSPA03	287.47	302.21	
Communicating (keyed Dbl. cyl.)	F80	YALICCGN04	YALICCAT04	YALICCSPA04	330.28	345.02	
Storeroom	F86	YALICCGN05	YALICCAT05	YALICCSPA05	278.69	293.42	
Vestibule	F88	YALICCGN06	YALICCAT06	YALICCSPA06	330.28	345.02	
Classroom / Intruder	F110	YALICCGN07	YALICCAT07	YALICCSPA07			
Institution (keyed Dbl. cyl.)	F87	YALICCGN09	YALICCAT09	YALICCSPA09			
Dormitory (Non-Clutch)	F90	YALICGN101	YALICAT101	YALICSPA101			

(SARIC) Indicates function available with Sargent Full Size Interchangeable Core. **6 PIN ONLY**
(RUSIC) Indicates function available with Corbin / Russwin Full Size Interchangeable Core. **6 OR 7 PIN ONLY**
(YALIC) Indicates function available with Yale Full Size Interchangeable Core. **6 PIN ONLY**

Prices do not include cores. For IC Core pricing see page L120. For Keying charges see page L129.



ATSI Technical Services, Inc.
6174 State Route 88, Finleyville, PA 15332

• Office: 724-969-2595
• Cell/Text: 703-283-6192 • Fax: 413-677-7814
• Email: Sales@assatechnicalservicesinc.com



GENESYS Series *List Price*

HEAVY DUTY CYLINDRICAL LEVERSETS WITH CLUTCH, ANSI - A156.2, SERIES 4000, GRADE 1

► **PACKAGING INCLUDES:**

- UL Listed 2 ¾" Backset, 2 ¼" x 1 ⅛" faceplate
- Standard "C", 6-pin cylinder
- ASA strike

► **For 2" up to 2 ¼" Thick Door Use Part # below and Add \$205.47 List**

CGN214T00 - Entrance, CGN00	CGN214T05 - Storeroom, CGN05
GN214T02 - Store Lock, GN02	CGN214T09 - Institution, CGN09
CGN214T03 - Classroom, CGN03	CGN214T20 - Privacy, CGN20
CGN214T04 - Communicating, CGN04	GN214T30 - Passage, GN30
⚙️ ICCGN214T00 - Entrance, ICCGN00	Available on AT, SPA & TUB Design. Use same Part No.
⚙️ ICCGN214T03 - Classroom, ICCGN03	
⚙️ ICCGN214T05 - Storeroom, ICCGN05	

► **KEYWAYS**

6-pin solid brass "C" keyway standard. Optional: Schlage E, Schlage C-K, Russwin D1-2-3-4, Corbin 59 / 60, Corbin-Russwin L4, Sargent LA-LB-LC, Falcon / Weiser E, Arrow A, Yale 8, Yale GA and Kwikset. Can also accept Medeco, Assa, Kaba and **Cal-Royal HSK** High Security Cylinders. See **page L129** for keying charges and Cylinder PART #.

⚙️► **IC CORE, KEYING CHARGES**

For IC Core pricing see pages **L119-L120**. For Keying charges see page **L129**.

► **TACTILE / LEAD LINING**

- Lead Lining Part # **LEAD**, Add **\$195.12**
- Tactile Part # **TAC**, Add **\$39.88 List**.

► **MOUNT**

1 hole wooden mount
 Part # CGNMOUNT **List: \$78.11 Each**

► **ANTI MICROBIAL COATING**

- Available on US26D and US32D finishes.
- **Add \$87.55 to List.**
- Specify "**ANTB**" when ordering.





GENESYS Series ELECTRIFIED CYLINDRICAL LOCKS

Available on Storeroom Only

**New
Lower Price**

FEATURES:

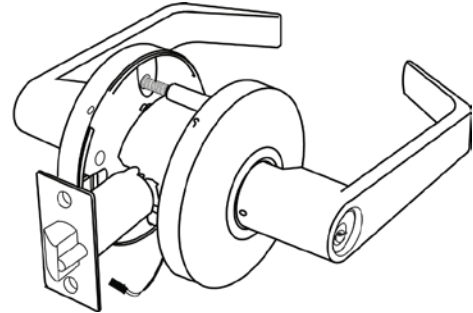
- UL Listed
- Continuous duty dual solenoids for cooler operation during “continuously ON” applications
- Low current draw
- 3 year “No Hassle” warranty

OPTIONS:

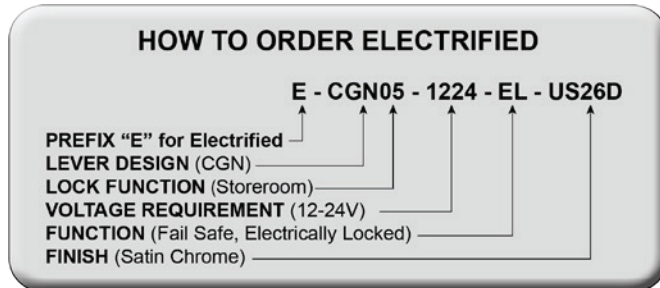
- Voltage requirement - **dual voltage 12-24V (DC)**
- Amperage – 0.38A @ 12V or 0.19A @ 24V
- Power consumption - 4.6 watts
- Function – available Fail Safe, “Electrically Locked” (EL) or Fail Secure, “Electrically Unlocked” (EU)
- **RX Switch** option, use part # RXCGN. Add \$76.32 to List Price.



ALL-IN-ONE FEATURE
 (Universal Dual Voltage 12 to 24 VDC,
 Field Convertible EL to EU & Vice Versa)



Available on all Genesys Series lever designs



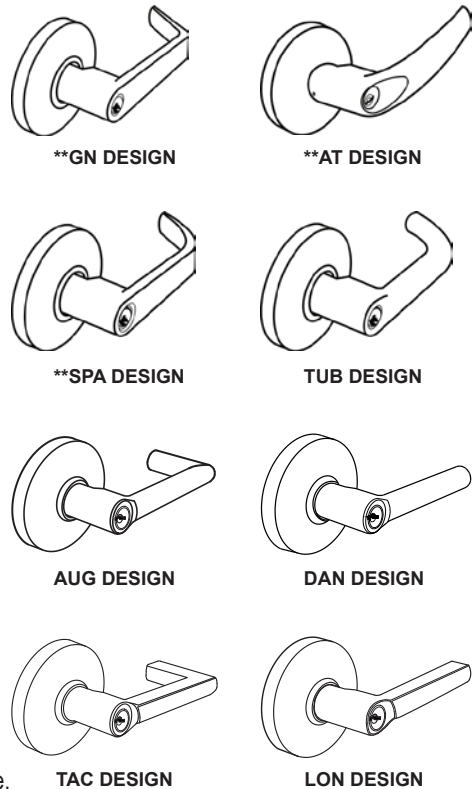
TO ORDER:

- Prefix “E” before part #, **Add \$161.46 to List Price.**
- Must specify the following when ordering:
 - lever design: CGN, CAT, CSPA, CTUB, CAUG, CDAN, CLON, or CTAC
 - lock function: “05” (Storeroom ONLY)
 - voltage: “1224” (12V/24V)
 - function: “EL” (fail safe) or “EU” (fail secure)
 - finish: see pages L32-L37 for stock finishes

Example: CGN05 US26D, 12-24V fail safe,

Order: “**ECGN051224EL US26D**”

CONSULT FACTORY FOR STOCK FINISHES AND AVAILABILITY



- (IC) Indicates function available with **Best, Falcon, and Arrow** Interchangeable Core.
- (ICSC) Indicates function available with **Schlage** Full Size Interchangeable Core.
- (SARIC) Indicates function available with **Sargent** Full Size Interchangeable Core.
- (RUSIC) Indicates function available with **Corbin / Russwin** Full Size Interchangeable Core.
- (YALIC) Indicates function available with **Yale** Full Size Interchangeable Core. (**only available in GN, AT, SPA lever designs)

Prices do not include cores. For IC Core pricing see pages L119 – L120. For Keying charges see page L129.



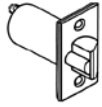
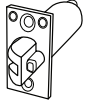
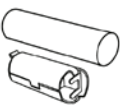
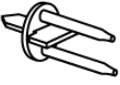
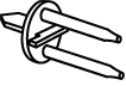

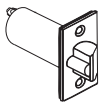
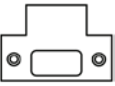



LOCKSETS PRICE LIST

Effective | APR 2025

► ADDITIONAL PARTS & CHARGES FOR GENESYS SERIES

Backsets: UL listed 2 3/8", 2 1/4" x 1" Faceplate, **NO EXTRA CHARGE** if ordered with lock only.
If ordered separately **\$15.62 List Each.**

◆◆ STANDARD DISCOUNT ONLY ◆◆				
ILLUSTRATION	ITEM #	DESCRIPTION	FINISH	LIST PRICE
	GND238	CGN Series Dead Latch 2 3/8", 2 1/4" x 1" Faceplate	US3, 26D, 10BE	\$17.57
	GND750	3/4" throw, Anti-Friction Dead Latch for pairs of fire doors, 2 1/4" x 1 1/8" Faceplate	US3, 26D, 10B, 10	92.77
	GEN5 EXT	5" Backset Extension Link	US26D	25.02
	GEN334 EXT	3 3/4" Backset Extension Link	----	
TAIL PIECE				
	ICTP-01	6-pin Tail Piece for IC Genesys Series	----	2.49
	ICTP-02	7 Pin Tail Piece for IC Genesys Series		
	ICTP-07	Tail Piece for Schlage Large Format IC Core		
EXTRA UL LISTED BACKSET				
	GND234	CGN Series 2 3/4" Dead latch, 2 1/4" x 1 1/8" Faceplate	US3, 26D, 10B	17.57
STRIKES				
	TS	T-Strike	US3, 26D, 10B, 26, 10, 4, 1	3.18
	FLS	Full Lip Strike, Round Corner		





CALYPSO Series List Price

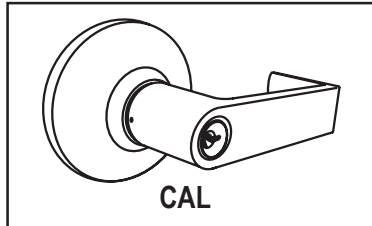
EXTRA HEAVY DUTY CYLINDRICAL LEVERSETS
ANSI - A156.2, SERIES 4000, GRADE 1



LIFETIME WARRANTY

MEETS
The Buy American Act

Optional Interchangeable Core for **Best, Falcon and Arrow**



CAL



SAN (non-stock)



MHM (non-stock)

When ordering: "SAN" or "MHM" design **Example:** CAL00 Entrance in "SAN" design is SAN00 or in "MHM" design is MHM00

STOCK ITEM PRICES IN BOLD
NON-STOCK FINISHES AND DESIGNS AVAILABLE WITH FACTORY LEAD TIME AND SUBJECT TO MINIMUM ORDER.
FOR SAN AND MHM DESIGN USE SAME PRICE AS CAL FOR REFERENCE

FUNCTION	ANSI	ITEM #	US26D	US10B, 3, 10, 26, 4	PCS / MC	
Entrance	F109	● CAL00 ● ICCAL00	\$206.33	\$217.23	6	
Storelock	F91	● CAL02 ● ICCAL02	243.81	256.29		
Classroom	F84	● CAL03 ● ICCAL03	212.56	223.47		
Communicating	F80	● CAL04 ● ICCAL04	243.81	256.29		
Storeroom	F86	● CAL05 ● ICCAL05	206.33	217.23		
Vestibule	F88	● CAL06 ● ICCAL06	243.81	256.29		
Classroom Intruder	F110	● CAL07 ● ICCAL07				
Institution	F87	● CAL09 ● ICCAL09				
Dormitory	F90	● CAL101 ● ICCAL101				
Privacy	F76	CAL20	192.22	201.63		
Passage	F75	CAL30	156.27	164.15		
Dummy	----	CAL40	70.88	73.71		12

● (IC) Indicates function available with **Best, Falcon and Arrow** Interchangeable Core. **Prices do not include cores.**
For IC Core pricing see pages L119 – L120.
For Keying charges see page L129.

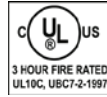
QUANTITY DISCOUNT
UP TO 30 UNITS MIXED ► STANDARD DISCOUNT ONLY
31 - 60 UNITS MIXED ►► LESS 5%
61 AND MORE UNITS MIXED ►►► LESS 10%





LRC Series *List Price*

**HEAVY DUTY CYLINDRICAL LOCKSET
WITH LIGATURE RESISTANT LEVER
ANSI - A156.2, SERIES 4000, GRADE 1**



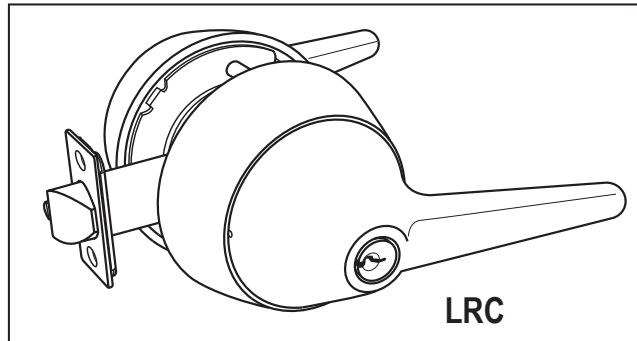
**LIFETIME
WARRANTY**

MEETS
The Buy American Act

Optional Interchangeable Core for **Best, Falcon and Arrow**

SPECIFICATIONS

- For 1 3/8" to 2" thickness doors
- 2 3/4" Backset Standard, 2 1/4" x 1 1/8" Latch Faceplate,
- 2 3/8", 3 3/4", 5" and 2 3/4" Anti-Friction Latch Optional
- UL Listed, 1/2" Throw Solid Brass,
- Reversible for RH or LH applications
- ASA Strike Standard
- Heavy Duty Stainless Steel Rose and Lever Trim
- Tamper Resistant Concealed Mounting Set Screws
- 6-Pin Solid Brass Schlage "C" Keyway Standard
- Small Format IC available combined or uncombined, 6 or 7 pin cores with BEST, FALCON, and ARROW. Prefix "IC" before part number.



FUNCTION	ANSI	ITEM #	US32D FINISH	PCS / MC	
Entrance	F109	LRC00 ICLRC00	\$834.91	6	
Storelock	F91	LRC02 ICLRC02	976.66		
Classroom	F84	LRC03 ICLRC03	834.91		
Communicating	F80	LRC04 ICLRC04	976.66		
Storeroom	F86	LRC05 ICLRC05	834.91		
Vestibule	F88	LRC06 ICLRC06	1054.62		
Classroom Intruder	F110	LRC07 ICLRC07			
Institution	F87	LRC09 ICLRC09			
Dormitory	F90	LRC101 ICLRC101			
Privacy	F76	LRC20	803.72		
Passage	F75	LRC30	771.12		
Dummy	----	LRC40	311.85		12

(IC) Indicates function available with **Best, Falcon and Arrow** Interchangeable Core. Prices do not include cores.

For IC Core pricing see pages L119 – L120. For Keying charges see page L129.





LOCKSETS PRICE LIST

Effective | APR 2025

► **CALYPSO AND LRC SERIES PACKAGING INCLUDES**

UL Listed 2 3/4" Backset, 2 1/4" x 1 1/8" faceplate, Standard "C", 6-pin cylinder, ASA Strike

► **KEYWAYS**

6-pin solid brass "C" keyway standard. Optional: Schlage E, Schlage C-K, Russwin D1-2-3-4, Corbin 59 / 60, Corbin-Russwin L4, Sargent LA-LB-LC, Falcon / Weiser E, Arrow A, Yale 8, Yale GA and Kwikset. Can also accept Medeco, Assa, Kaba and **Cal-Royal HSK High Security Cylinders**. See **page L129** for keying charges and Cylinder PART #.

► **IC CORE, KEYING CHARGES**

For IC Core pricing see pages L119-L120. For Keying charges see page L129.

► **ANTI MICROBIAL COATING**

- Available on US26D and US32D finishes.
- **Add \$87.55 to List Price.**
- Specify "ANTB" when ordering.

► **TACTILE / LEAD LINING**

- Lead Lining Part # **LEAD**, Add \$195.12
- Tactile Part # **TAC**, Add \$39.76 List

► **ADDITIONAL PARTS & CHARGES FOR CALYPSO AND LRC SERIES**

Backsets: UL listed 2 3/8", 2 1/4" x 1 1/8" faceplate, **NO EXTRA CHARGE** if ordered with lock only. If ordered separately **\$18.78 List Each**.

◆◆ STANDARD DISCOUNT ONLY ◆◆				
ILLUSTRATION	ITEM #	DESCRIPTION	FINISH	LIST PRICE
EXTRA UL BACKSET				
	CALSLD238	CAL Series Dead latch 2 3/8" 2 1/4" x 1 1/8" Faceplate	US26D, 10B	\$18.78
	CALDOR238	CAL101 Dormitory Dead latch 2 3/8" 2 1/4" x 1 1/8" Faceplate	US26D	
	CALSLS238	CAL Series Spring Latch 2 3/8" 2 1/4" x 1 1/8" Faceplate		
	CALSPL238	CAL Series Privacy Latch 2 3/8" 2 1/4" x 1 1/8" Faceplate		
	CAL334 EXT	CAL Series 3 3/4" Extension Link To be used with CALSLD238	----	25.02
	CAL5 EXT	CAL Series 5" Extension Link		
	CAL750	2 3/4" Backset, 2 1/4" x 1 1/8" faceplate, 3/4" throw, anti-friction Dead latch for pairs of fire doors	US26D	92.21
STRIKES				
	TS	T-Strike	US3, 26D, 10B, 26, 10, 4	3.18
	FLS	Full Lip Strike Round Corner		





OMEGA GRB Series *List Price*

HEAVY DUTY CYLINDRICAL LEVERSETS

ANSI - A156.2, SERIES 4000, GRADE 1

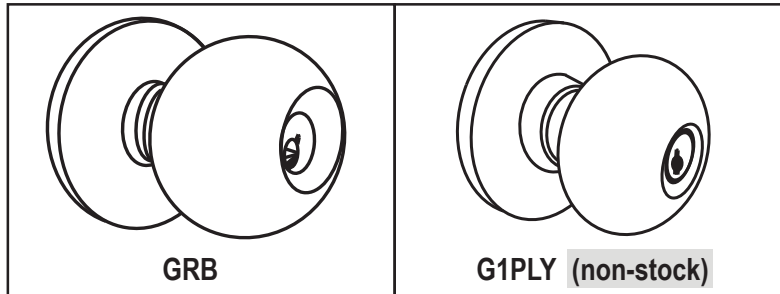
Ⓢ Optional Interchangeable Core for Best, Falcon and Arrow



LIFETIME WARRANTY

MEETS
The Buy American Act

QUANTITY DISCOUNT
50 UNITS MIXED ▶▶ LESS 5%
100 UNITS MIXED ▶▶ LESS 10%



When ordering: "G1PLY" design **Example:** GRB00 Entrance in G1PLY design is G1PLY00

STOCK ITEM PRICES IN BOLD
NON-STOCK FINISHES AND DESIGNS AVAILABLE WITH FACTORY LEAD TIME AND SUBJECT TO MINIMUM ORDER.
FOR G1PLY DESIGN USE SAME PRICE AS GRB FOR REFERENCE

FUNCTION	ANSI	ITEM #	US32D	US3	US10B, 10, 4, 26	PCS / MC
Entrance	F109	GRB00 or Ⓢ ICGRB00	\$175.64	\$175.64	\$187.90	10
Storelock (keyed Dbl. cyl.)	F91	GRB02	235.31	235.31	247.65	
Classroom	F84	GRB03 or Ⓢ ICGRB03	194.92	194.92	207.24	
Communicating (keyed Dbl. cyl.)	F80	GRB04	231.93	231.93	247.65	
Storeroom	F86	GRB05 or Ⓢ ICGRB05	175.64	175.64	187.90	
Institution (keyed Dbl. cyl.)	F87	GRB09	235.31	235.31	247.65	
Privacy	F76	GRB20	156.27	156.27	165.06	
Passage	F75	GRB30	137.00	137.00	145.79	
Single Dummy	----	GRB40	70.25	70.25	77.33	

Ⓢ (IC) Indicates function available with **Best, Falcon and Arrow** Interchangeable Core. **Prices do not include cores.**
For IC Core pricing see pages L119 – L120. For Keying charges see page L129.





LOCKSETS PRICE LIST

Effective | APR 2025

► **PACKAGING INCLUDES**

UL Listed 2 3/4" Backset, 2 1/4" x 1 1/8" faceplate, Standard "C", 6-pin cylinder, ASA Strike

► **KEYWAYS**

6-pin solid brass "C" keyway standard. Optional: Schlage E, Schlage C-K, Russwin D1-2-3-4, Corbin 59 / 60, Corbin-Russwin L4, Sargent LA-LB-LC, Falcon / Weiser E, Arrow A, Yale 8, Yale GA and Kwikset. Can also accept Medeco, Assa, Kaba and **Cal-Royal HSK** High Security Cylinders. See page L129 for keying charges and Cylinder PART #.

► **IC CORE, KEYING CHARGES**

For IC Core pricing see pages L119-L120. For Keying charges see page L129.

► **ANTI MICROBIAL COATING**

- Available on US32D finish.
- **Add \$87.55 to List Price.**
- Specify "ANTB" when ordering.

► **TACTILE / LEAD LINING**

- Lead Lining Part # LEAD, Add \$195.12
- Tactile Part # TAC, Add \$39.76 List

► **ADDITIONAL PARTS & CHARGES FOR OMEGA GRB SERIES**

Backsets: UL listed 2 3/8", 2 1/4" x 1 1/8" faceplate, **NO EXTRA CHARGE** if ordered with lock only. If ordered separately **\$18.78 List Each.**

◆◆ STANDARD DISCOUNT ONLY ◆◆				
ILLUSTRATION	ITEM #	DESCRIPTION	FINISH	LIST PRICE
EXTRA UL BACKSET				
	CALSLD238	CAL Series Dead latch 2 3/8" 2 1/4" x 1 1/8" Faceplate	US26D, 10B	\$18.78
	CALDOR238	CAL101 Dormitory Dead latch 2 3/8" 2 1/4" x 1 1/8" Faceplate		
	CALSLS238	CAL Series Spring Latch 2 3/8" 2 1/4" x 1 1/8" Faceplate	US26D	
	CALSLP238	CAL Series Privacy Latch 2 3/8" 2 1/4" x 1 1/8" Faceplate		
	CAL334 EXT	CAL Series 3 3/4" Extension Link To be used with CALSLD238	----	25.02
	CAL5 EXT	CAL Series 5" Extension Link		
	CAL750	2 3/4" Backset, 2 1/4" x 1 1/8" faceplate, 3/4" throw, anti-friction Dead latch for pairs of fire doors	US26D	92.21
STRIKES				
	TS	T-Strike	US3, 10B, 26, 10, 4	3.18
	FLS	Full Lip Strike		
TAIL PIECE				
	ICTP-09	Tail Piece for ICGRB	----	2.49





CAL-ROYAL PRODUCTS, INC.
COMPARISON CHART

GENESYS “CGN” AND CALYPSO “CAL” SERIES (GRADE 1 CLUTCH LEVER)

FUNCTION	ANSI #	CAL-ROYAL GENESYS & CALYPSO	SCHLAGE VANDGUARD	SARGENT CLUTCH	RUSSWIN CORBIN	PDQ	FALCON CLUTCH	YALE CLUTCH	HAGER
Entrance	F109	CGN00, CAL00	ND53 / ND92PD	10G05	CL3351	GT 116 / 182	T501	5407L	3450 / 3453
Storeroom	F86	CGN05, CAL05	ND80 / ND96PD	10G04	CL3357	GT 115	T581	5405L	3480
Classroom	F84	CGN03, CAL03	ND70S / ND94PD	10G37	CL3355	GT 148	T561	5408L	3470
Privacy	F76	CGN20, CAL20	ND40S	10U65	CL3320	GT 176	T301	5402L	3440
Passage	F75	GN30, CAL30	ND10S	10U15	CL3310	GT 126	T101	5401L	3410
Dummy	----	GN40, CAL40	ND170	U94	CL3350	GT 211 / 205	T12	455L	3417
Storelock / Double Cylinder	F91	GN02, CAL02	ND66PD	10G26	CL3382	GT 137	T371	5419L	----
Communicating / Double Cylinder	F80	CGN04, CAL04	ND72PD	10G30	CL3362	GT 150	T391	5421L	----
Vestibule	F88	CGN06, CAL06	ND60PD	10G16	CL3372	GT 135	T381	5417L	----
Classroom Intruder	F110	CGN07, CAL07	ND75PD	10G38	CL3352	GT 148	T561	5418L	3495
Institution / Double Cylinder	F87	CGN09, CAL09	ND82PD	10G17	CL3332	GT 128	T411	5430L	----
Exit / Communicating	F89	GN50	ND25D	10G15-3	CL3380	GT 125	----	5428L	----
Dormitory	F90	CAL101	ND73PD	10G54	CL3375	GT 165	T571	5422L	3473

PIONEER “SL” SERIES, EXPLORER “XP” SERIES (GRADE 2 NON-CLUTCH LEVER)
PIONEER “CSL” SERIES (GRADE 2 CLUTCH LEVER)

FUNCTION	ANSI #	CAL-ROYAL PIONEER	SCHLAGE NON-CLUTCH	SARGENT NON-CLUTCH	RUSSWIN CORBIN	PDQ	FALCON TUBULAR NON-CLUTCH	YALE	HAGER
Entrance	F109	CSL00 / SL00	AL53	65G05	CL3851	SP / SK	W511	5307LN	3553
Entrance with Push Button	F82	SL01	AL50	----	CL3861	116	W501	---	3550
Storeroom	F86	CSL05 / SL05	AL80	65G04	CL3857	115	W581	5305LN	3580
Classroom	F84	CSL03 / SL03	AL70	65G37	CL3855	148	W561	5308LN	3570
Passage	F75	SL30	AL10S	65U15	CL3810	126	W101	5301LN	3510
Dummy	----	SL40	AL170	65U93	CL3850	211 / 205	W12	5355LN	3517
Exit / Communicating	F89	SL50	AL25	N/A	CL3880	125	W161	5328LN	3525
Exit Communicating Keyed	----	SL80	----	----	----	----	----	----	----
Patio	F77	SL10	----	----	CL3840	GP182	----	----	----





CAL-ROYAL PRODUCTS, INC.
COMPARISON CHART

GRADE 2 INTERCONNECTED LEVERSET (HIL, JHIL, CIL SERIES)

FUNCTION	ANSI #	CAL-ROYAL HIL, JHIL, CIL SERIES	SCHLAGE	FALCON	HAGER
Entrance - Single Locking	F95	HIL30, JHIL30, CIL30	S210PD	H2101	3710
Entrance - Double Locking	F97	HIL00, JHIL00, CIL00	S251PD	-	3753
Storeroom - Double Locking	F98	HIL05, JHIL05	S280	-	-

Other functions available upon request and subject to minimum quantity: Single / Double Dummy Trim

GRADE 2 CYLINDRICAL LEVER (SG DESIGN)

FUNCTION	ANSI #	CAL-ROYAL SG SERIES	SCHLAGE S	FALCON "Y" Dane	YALE 4300LN	PDQ SE	CORBIN RUSSWIN	HAGER 3600
Entrance	F109	SG00	S51PD	Y521	4307LN	SE-116	CL3751	3653
Storeroom	F86	SG05	S80PD	Y581	4305LN	SE-115	CL3759	3680
Classroom	F84	SG03	S70PD	Y561	4308LN	SE-148	CL3755	3670
Patio	F77	SG10	----	----	----	----	----	----
Privacy	F76	SG20	S40D	Y301	4302LN	SE-176	CL3720	3640
Passage	F75	SG30	S10D	Y101	4301LN	SE-126	CL3710	3610
Dummy	----	SG40	S170	Y12	4355LN	SE-211	CL3750	3617
Exit	F89	SG50	----	Y161	----	SE-125	CL3780	----

GRADE 2 CYLINDRICAL LOCKSET, ORBIT STYLE (BA & PLG DESIGNS)

FUNCTION	ANSI #	CAL-ROYAL BA SERIES	SCHLAGE A SERIES	CORBIN 5600	RUSSWIN 3300	SARGENT 6 LINE	YALE 5300	ARROW 151	PDQ SV	FED. NO.
Entrance	F109	BA00	A53PD	5651	CK4251	6G05	5307	151	SV116	160A
Privacy	F76	BA20	A40S	5620	CK4220	6U65	----	157	SV176	160L
Passage	F75	BA30	A10S	5610	CK4210	6U15	5301	156	SV126	160N
Storeroom	F86	BA05	A80PD	5657	CK4257	6G04	5305	151F	SV115	160D
Classroom	F84	BA03	A70PD	5655	CK4255	6G37	5308	151S	SV148	160R
Communicating / Double Cylinder	F80	BA04	A66D	----	CK4262	----	5316	----	SV137	----
Single Dummy	F79	BA40	A170	½ DT	CK4250	6U93	355	125	SV211	----
Storage	F91	BA02	----	----	CK4282	----	----	----	----	----
Institution	F87	BA09	----	----	CK4232	----	----	----	----	----
Exit	F89	BA50	A25D	----	----	6G15-3	5328	156CB	SV125	----





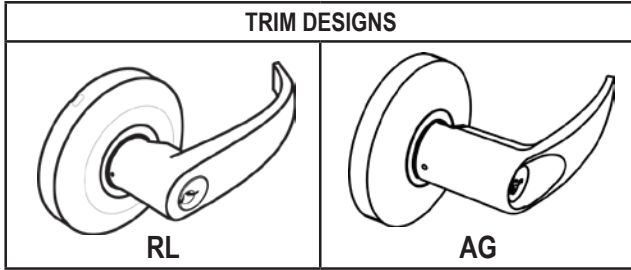
PIONEER RL & AG Series List Price

HEAVY DUTY CYLINDRICAL LEVERSETS

ANSI - A156.2, Series 4000, Grade 2

Optional Interchangeable Core for **Best, Falcon and Arrow**

QUANTITY DISCOUNT
50 UNITS MIXED ►► LESS 5%
100 UNITS MIXED ►► LESS 10%



STOCK ITEM PRICES IN BOLD
NON-STOCK FINISHES AND DESIGNS AVAILABLE WITH FACTORY LEAD TIME AND SUBJECT TO MINIMUM ORDER.

FUNCTIONS	ANSI	ITEM #		US26D	US3	US10BE, 10, 26, 4, 15	US1	PCS / MC
Entrance	F109	RL00	AG00	\$126.25	\$126.25	\$130.64	\$130.64	10
		Ⓢ ICRL00	Ⓢ ICAG00		126.25	130.64	130.64	
Storeroom	F86	RL05	AG05	126.25	126.25	130.64	130.64	
		Ⓢ ICRL05	Ⓢ ICAG05	126.25	130.64	130.64		
Classroom	F84	RL03	AG03	126.25	126.25	130.64	130.64	
		Ⓢ ICRL03	Ⓢ ICAG03	126.25	130.64	130.64		
Entrance Push Button Lock	F82	RL01	AG01	126.25	126.25	130.64	130.64	
		Ⓢ ICRL01	Ⓢ ICAG01	126.25	126.25	130.64	130.64	
Exit Lock / Connecting Room with key	----	RL80	AG80	126.25	126.25	130.64	130.64	
		Ⓢ ICRL80	Ⓢ ICAG80	126.25	126.25	130.64	130.64	
Dormitory / Assisted Living	F90	RL101	AG101	134.82	134.82	139.21	139.21	
		Ⓢ ICRL101	Ⓢ ICAG101	134.82				
Patio	F77	RL10	AG10	103.66	103.66	111.63	111.63	
Privacy (see below for split finishes)	F76	RL20	AG20	106.11	106.11	111.63	111.63	
Passage	F75	RL30	AG30	102.47	102.47	107.97	107.97	
Exit	F89	RL50	AG50	103.66	103.66	112.10	112.10	
Single Dummy	----	RL40	AG40	40.28	40.28	43.92	43.92	20

Ⓢ (IC) Indicates function available with **Best, Falcon and Arrow** Interchangeable Core. Prices do not include cores. For IC Core pricing see pages L119 – L120. For Keying charges see page L129.

► **SPLIT FINISHES FOR PRIVACY FUNCTION**

ILLUSTRATION	ITEM #	FUNCTIONS	ANSI	LIST PRICE	PCS / MC	UNIT
 RL20	RL20 or AG20 US3 / 26 (Inside)	Privacy	F76	\$114.17	10	Ea.
	RL20 or AG20 US10B / 26 (Inside)					
	RL20 or AG20 US4 / 26D (Inside)					
	RL20 or AG20 US4 / 26 (Inside)					
	RL20 or AG20 US4 / 3 (Inside)					
	RL20 or AG20 US3 / 26D (Inside)					
	RL20 or AG20 US10B / 26D (Inside)					





PIONEER CSL, CRL & CAG CLUTCH

HEAVY DUTY CYLINDRICAL LEVERSETS WITH CLUTCH

ANSI - A156.2, Series 4000, Grade 2

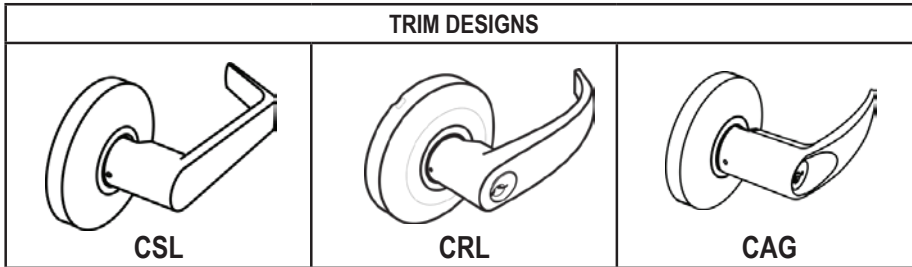
Optional Interchangeable Core for **Best, Falcon and Arrow**



LIFETIME WARRANTY

BHMA CERTIFIED
Be Safe. Be Secure. Look for the Mark.

MEETS
The Buy American Act



QUANTITY DISCOUNT
50 UNITS MIXED ►► LESS 5%
100 UNITS MIXED ►► LESS 10%

STOCK ITEM PRICES IN BOLD
NON-STOCK FINISHES AND DESIGNS AVAILABLE WITH FACTORY LEAD TIME AND SUBJECT TO MINIMUM ORDER.

FUNCTIONS	ANSI	ITEM #	US26D	US3	US10BE	US10, 26, 4, 15, 5	PCS / MC
Entrance	F109	CSL00	\$133.56	\$133.56	\$137.94	\$137.94	10
		Ⓢ ICCSL00		133.56	137.94		
Storeroom	F86	CSL05	133.56	133.56	137.94		
		Ⓢ ICCSL05	133.56	133.56	137.94		
Classroom	F84	CSL03	133.56	133.56	137.94		
		Ⓢ ICCSL03	133.56	133.56	137.94		
Privacy	F76	CSL20	113.42	113.42	118.95	118.95	

FUNCTIONS	ANSI	ITEM #		US26D, 3	US10BE, 10, 26, 4, 15, 5	PCS / MC
Entrance	F109	CRL00	CAG00	\$133.56	\$137.94	10
		Ⓢ ICCRL00	Ⓢ ICCAG00	133.56	137.94	
Storeroom	F86	CRL05	CAG05	133.56	137.94	
		Ⓢ ICCRL05	Ⓢ ICCAG05	133.56	137.94	
Classroom	F84	CRL03	CAG03	133.56	137.94	
		Ⓢ ICCRL03	Ⓢ ICCAG03	133.56	137.94	
Privacy	F76	CRL20	CAG20	113.42	118.95	

Ⓢ (IC) Indicates function available with **Best, Falcon and Arrow** Interchangeable Core. Prices do not include cores. For IC Core pricing see pages L119 – L120. For Keying charges see page L129.

► **PACKAGING INCLUDES**

UL Listed 2 3/4" Backset, 2 1/4" x 1 1/8" faceplate ASA Strike

► **KEYWAYS**

6-pin solid brass "C" keyway standard. Optional: Schlage E, Schlage C-K, Russwin D1-2-3-4, Corbin 59 / 60, Arrow A, Corbin-Russwin L4, Sargent LA-LB-LC, Falcon / Weiser E, Yale 8, Yale GA and Kwikset. Can also accept Medeco, Assa, Kaba and **Cal-Royal HSK** High Security Cylinders. See page L129 for keying charges and Cylinder PART #.

► **IC CORES, KEYING CHARGES**

For IC Core pricing see pages L119 - L120. For Keying charges see page L129.

► **TACTILE / LEAD LINING**

Lead Lining Part # **LEAD Add \$195.12 List**
Tactile Part # **TAC Add \$39.76 List**





LOCKSETS PRICE LIST

Effective | APR 2025

► ADDITIONAL PARTS & CHARGES FOR PIONEER SERIES

Backsets: UL listed 2 3/8", (2 1/4" x 1") faceplate, **NO EXTRA CHARGE** if ordered with lock only. Otherwise \$17.57 List Each.

◆◆ STANDARD DISCOUNT ONLY ◆◆				
ILLUSTRATION	ITEM #	DESCRIPTION	FINISH	LIST PRICE
	ULSLD238	SL Series UL-listed Dead Latch 2 3/8" 2 1/4" x 1" Faceplate	US3, 26D, 10B, 10, 26	\$17.57
	ULSLS238	SL Series UL-listed Spring Latch 2 3/8" 2 1/4" x 1" Faceplate	US26D, 10B, 10, 26	
	ULSGPA238	2 3/8" UL-listed Dead Latch, 2 1/4" x 1" Faceplate (for SG10, SL10 Patio Function and SL101 Dormitory/Assisted Living Function)	US26D	
	SLDRI-1	2 3/4" Entrance, Drive-in Latch bolt for G2 Lockset	ZINC	
	SLDRI-4	2 3/8" Entrance, Drive-in Latch bolt for G2 Lockset		
	SLDRI-2	2 3/4" Privacy / Passage, Drive-in Latch bolt for G2 Lockset		
	SLDRI-5	2 3/8" Privacy / Passage, Drive-in Latch bolt for G2 Lockset		
EXTRA UL LISTED BACKSET				
	ULSLD234	SL Series Dead Latch 2 3/4" 2 1/4" x 1 1/8" Faceplate	US3, 26D, 10B, 10, 26	17.57
	ULSLS234	SL Series Spring Latch 2 3/4" 2 1/4" x 1 1/8" Faceplate	US3, 26D, 10B, 10, 26	
3 3/4", 5" UL LISTED BACKSET				
	SL5	5" UL listed Extension Link	----	25.38
	SLD334	3 3/4" Dead latch, 2 1/4" x 1 1/8" Faceplate	US3, 26D, 10B	
	SLS334	3 3/4" Spring Latch, 2 1/4" x 1 1/8" Faceplate	US3, 26D, 10B	
STRIKES				
	TS	T-Strike	US3, 26D, 10B, 10, 26, 15, 4	3.18
	FLS	Full lip strike	US3, 26D, 10B, 10, 26, 15, 4, 5	
TAIL PIECE				
	ICTP-03	6-pin Tail Piece for IC Pioneer Series	----	2.49
	ICTP-04	7 Pin Tail Piece for IC Pioneer Series		





EXPLORER XP Series

HEAVY DUTY CYLINDRICAL LEVERSETS

ANSI - A156.2, Series 4000, Grade 2

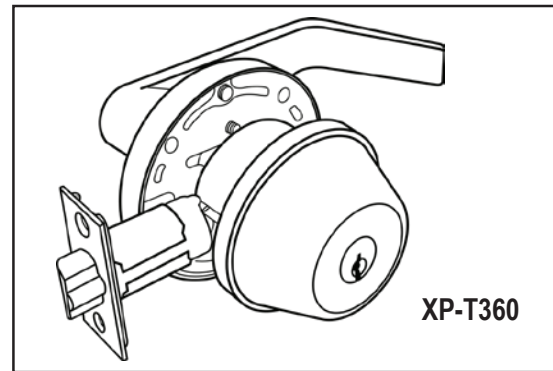
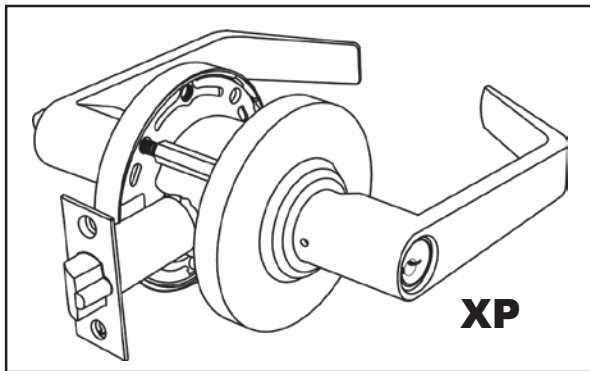
Optional Interchangeable Core for **Best, Falcon and Arrow**



MEETS
The Buy American Act

LIFETIME WARRANTY

BHMA CERTIFIED
Be Safe. Be Secure. Look for the Mark.



STOCK ITEM PRICES IN BOLD
NON-STOCK FINISHES AND DESIGNS AVAILABLE WITH FACTORY LEAD TIME AND SUBJECT TO MINIMUM ORDER.

ANSI	FUNCTIONS	ITEM #	US26D	US3	US10BE, 10, 26, 4	US5, 15	PCS / MC
F109	Entrance	XP00	\$118.95	\$118.95	\$123.32	\$123.32	10
		● ICXP00		118.95	123.32		
F86	Storeroom	XP05		118.95	123.32		
		● ICXP05		118.95	123.32		
F84	Classroom	XP03		118.95	123.32		
		● ICXP03		118.95	123.32		
F76	Privacy (See below for split finishes)	XP20	98.81	98.81	104.32	104.32	
---	Hospital Privacy	HXP20	114.02	117.95	123.65	123.65	
F75	Passage	XP30	95.15	95.15	100.67	100.67	
F89	Exit	XP50	96.36	96.36	104.78	104.78	
----	Single Dummy	XP40	32.96	32.96	36.62	36.62	20

ANSI	FUNCTIONS	ITEM #	US26D	US3	US10B	US5, 15	PCS / MC
F86	Storeroom	XP-T360-05	\$195.35	\$195.35	\$201.99	\$201.99	10

● (IC) Indicates function available with **Best, Falcon and Arrow** Interchangeable Core. Prices do not include cores. For IC Core pricing see pages L119 – L120. For Keying charges see page L129.

◆ **SPLIT FINISHES FOR PRIVACY FUNCTION**

ILLUSTRATION	ITEM #	FUNCTIONS	ANSI	FINISH	LIST PRICE	PCS / MC
	XP20	Privacy	F76	US3 / 26D (Inside)	\$114.17	10
				US4 / 26 (Inside)		
				US10B / 26 (Inside)		
				US4 / 26D (Inside)		

QUANTITY DISCOUNT
50 UNITS MIXED
▶▶ LESS 5%
100 UNITS MIXED
▶▶ LESS 10%



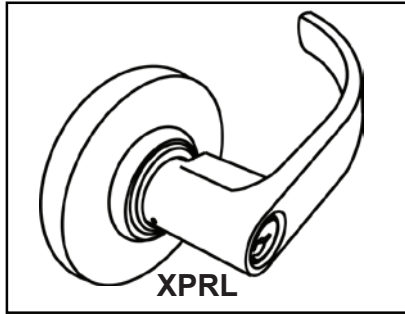


EXPLORER XPRL Series List Price

HEAVY DUTY CYLINDRICAL LEVERSETS

ANSI - A156.2, SERIES 4000, GRADE 2

● Optional Interchangeable Core for **Best, Falcon and Arrow**



QUANTITY DISCOUNT
50 UNITS MIXED ▶▶ LESS 5%
100 UNITS MIXED ▶▶ LESS 10%

STOCK ITEM PRICES IN BOLD
 NON-STOCK FINISHES AND DESIGNS AVAILABLE WITH FACTORY LEAD TIME
 AND SUBJECT TO MINIMUM ORDER.

FUNCTIONS	ANSI	ITEM #	US26D	US10BE	US3	US10, 4 26, 15	PCS / MC		
Entrance	F109	XPRL00	\$123.32	\$126.25	\$126.25	\$123.32	10		
		● ICXPRL00	123.32	126.25					
Storeroom	F86	XPRL05	123.32	126.25					
		● ICXPRL05	123.32	126.25					
Classroom	F84	XPRL03	123.32	126.25					
		● ICXPRL03	123.32	126.25					
Privacy (See below for split finishes)	F76	XPRL20	106.11	111.63				106.11	111.63
Hospital Privacy	---	HXPRL20	121.33	126.84				121.33	126.84
Passage	F75	XPRL30	102.47	107.97				102.47	107.97
Exit	F89	XPRL50	103.66	112.10	103.66	112.10			
Single Dummy	----	XPRL40	40.28	43.92	40.28	43.92	20		

● (IC) Indicates function available with **Best, Falcon and Arrow** Interchangeable Core. Prices do not include cores.
 For IC Core pricing see pages L119 – L120. For Keying charges see page L129.

◆ **SPLIT FINISHES FOR PRIVACY FUNCTION**

ILLUSTRATION	ITEM #	FUNCTIONS	ANSI	FINISH	LIST PRICE	PCS / MC
	XPRL20	Privacy	F76	US3 / 26D (Inside)	\$121.47	10
				US4 / 26 (Inside)		
				US10B / 26 (Inside)		
				US4 / 26D (Inside)		



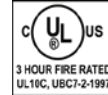
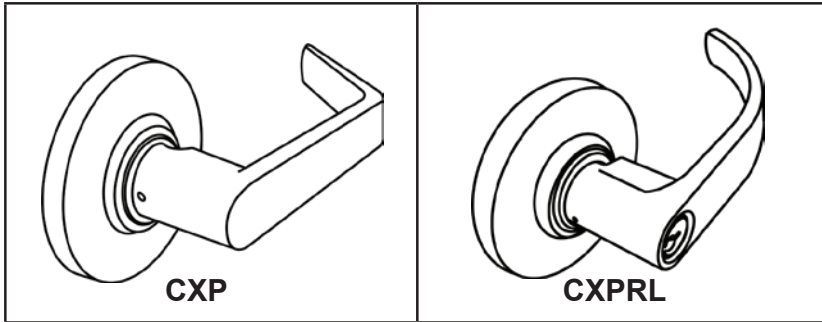


EXPLORER CXP, CXPRL CLUTCH

HEAVY DUTY CYLINDRICAL LEVERSETS WITH CLUTCH

ANSI - A156.2, Series 4000, Grade 2

Optional Interchangeable Core for **Best, Falcon and Arrow**



MEETS
The Buy American Act

QUANTITY DISCOUNT
50 UNITS MIXED ►► LESS 5%
100 UNITS MIXED ►► LESS 10%

STOCK ITEM PRICES IN BOLD
NON-STOCK FINISHES AND DESIGNS AVAILABLE WITH FACTORY LEAD TIME
AND SUBJECT TO MINIMUM ORDER.

FUNCTIONS	ANSI	ITEM #	US26D	US10B	US3	US10, 26, 4, 15, 5	PCS / MC
Entrance	F109	CXP00	\$133.56	\$137.94	\$133.56	\$137.94	10
		● ICCXP00	133.56	137.94			
Storeroom	F86	CXP05	133.56	137.94			
		● ICCXP05	133.56	137.94			
Classroom	F84	CXP03	133.56	137.94			
		● ICCXP03	133.56	137.94			
Privacy	F76	CXP20	113.42	118.95	113.42	118.95	
Hospital Privacy	---	HCXP20	128.64	134.16	128.64	134.16	

FUNCTIONS	ANSI	ITEM #	US26D	US10B	US3	US10, 26, 4, 15, 5	PCS / MC
Entrance	F109	CXPRL00	\$133.56	\$137.94	\$133.56	\$137.94	10
		● ICCXPRL00	133.56	137.94			
Storeroom	F86	CXPRL05	133.56	137.94			
		● ICCXPRL05	133.56	137.94			
Classroom	F84	CXPRL03	133.56	137.94			
		● ICCXPRL03	133.56	137.94			
Privacy	F76	CXPRL20	113.42	118.95	113.42	118.95	
Hospital Privacy	---	HCXPRL20	128.64	134.16	128.64	134.16	

● (IC) Indicates function available with **Best, Falcon and Arrow** Interchangeable Core. **Prices do not include cores.**
For IC Core pricing see pages L119 – L120. For Keying charges see page L129.





LOCKSETS PRICE LIST

Effective | APR 2025

► **EXPLORER SERIES PACKAGING INCLUDES**

- UL Listed 2 3/4" Backset
- 2 1/4" x 1" Faceplate, Square corner, packed with plastic filler for 1 1/8" width
- Standard "C", 6-pin cylinder
- ASA Strike
- Adapter Ring for 1 3/4" doors, Part # ADPXP-134
- Optional Adapter Ring for 1 3/8" doors, Part # ADPXP-138

► **MOUNT**

2 hole wooden mount Part # **SLMOUNT**. \$97.59 List each

► **TACTILE / LEAD LINING**

Lead Lining Part # **LEAD** Add \$195.12 List
Tactile Part # **TAC** Add \$39.76 List

► **IC CORES, KEYING CHARGES**


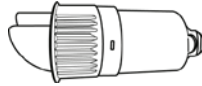
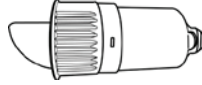
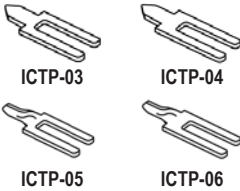


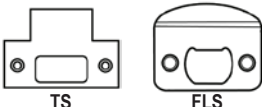
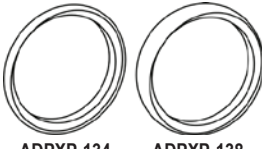
For IC Core pricing see pages **L119 – L120**
For Keying charges see page **L129**.

► **KEYWAYS**

6-pin solid brass "C" keyway standard. Optional: Schlage E, Schlage C-K, Russwin D1-2-3-4, Corbin 59 / 60, Corbin-Russwin L4, Sargent LA-LB-LC, Falcon / Weiser E, Arrow A, Yale 8, Yale GA and Kwikset. Can also accept Medeco, Assa, Kaba and **Cal-Royal HSK** High Security Cylinders. See **page L129** for keying charges and Cylinder PART #.

► **ADDITIONAL PARTS & CHARGES FOR EXPLORER SERIES**

Backsets: UL listed 2 3/8", (2 1/4" x 1") faceplate, **NO EXTRA CHARGE** if ordered with lock only. Otherwise **\$17.57 List Each**.

◆◆◆ STANDARD DISCOUNT ONLY ◆◆◆				
ILLUSTRATION	ITEM#	DESCRIPTION	FINISH	LIST PRICE
 ULSLD238 ULSLS238	ULSLD238	XP Series UL-listed 2 3/8" Dead Latch, 2 1/4" x 1" Faceplate	US3, 26D, 10B, 10BE, 10, 26	\$17.57
	ULSLS238	XP Series UL-listed 2 3/8" Spring Latch, 2 1/4" x 1" Faceplate		
 SLDRI-1 SLDRI-4	SLDRI-1	2 3/4" Entrance, Drive-in Latch bolt for G2 Lockset	ZINC	
	SLDRI-4	2 3/8" Entrance, Drive-in Latch bolt for G2 Lockset		
 SLDRI-2 SLDRI-5	SLDRI-2	2 3/4" Privacy / Passage, Drive-in Latch bolt for G2 Lockset		
	SLDRI-5	2 3/8" Privacy / Passage, Drive-in Latch bolt for G2 Lockset		
TAIL PIECE				
 ICTP-03 ICTP-04 ICTP-05 ICTP-06	ICTP-03	6-pin Tail Piece for IC Explorer Series	----	2.49
	ICTP-04	7 Pin Tail Piece for IC Explorer Series		
	ICTP-05	6-pin Tail Piece for ICXP03 Explorer Series Classroom Function Only		
	ICTP-06	7 Pin Tail Piece for ICXP03 Explorer Series Classroom Function Only		
EXTRA UL LISTED BACKSET				
 ULSLD234 ULSLS234	ULSLD234	XP Series 2 3/4" Dead Latch, 2 1/4" x 1 1/8" Faceplate	US26D, 10B, 10BE	17.57
	ULSLS234	XP Series 2 3/4" Spring Latch, 2 1/4" x 1" Faceplate		
3 3/4", 5" UL LISTED BACKSET				
 SL5 SLS334 SLD334	SL5	5" UL listed Extension Link	----	25.38
	SLD334	3 3/4" Dead latch, 2 1/4" x 1 1/8" Faceplate	US3, 26D, 10B	
	SLS334	3 3/4" Spring Latch, 2 1/4" x 1 1/8" Faceplate		
STRIKES				
 TS FLS	TS	T-Strike	US3, 4, 26D, 26 10B, 10, 15	3.18
	FLS	Full lip strike	US3, 4, 26D, 26, 10B, 10, 15, 5	
ADAPTER RING FOR XP-T360				
 ADPXP-134 ADPXP-138	ADPXP-134	XP-T360 Adapter Ring for 1 3/4" doors. Standard Packaging.	US26D, US10B	10.64
	ADPXP-138	Optional XP-T360 Adapter Ring for 1 3/8" doors		



ATSI Technical Services, Inc.
6174 State Route 88, Finleyville, PA 15332

• Office: 724-969-2595
• Cell/Text: 703-283-6192 • Fax: 413-677-7814
• Email: Sales@assatechnicalservicesinc.com



TUSCANY Series List Price

Clutch Mechanism, Optional Thru Bolt Installation
ANSI - A156.2, Series 4000, Grade 2

Optional Interchangeable Core for **Best, Falcon and Arrow**



LIFETIME WARRANTY

MEETS
The Buy American Act

QUANTITY DISCOUNT
50 UNITS MIXED ►► LESS 5%
100 UNITS MIXED ►► LESS 10%

	OTHER TRIM DESIGNS			
TUSL	2-AUG	2-DAN	2-LON	2-TAC

STOCK ITEM PRICES IN BOLD
NON-STOCK FINISHES AND DESIGNS AVAILABLE WITH FACTORY LEAD TIME AND SUBJECT TO MINIMUM ORDER.

FUNCTIONS	ANSI	ITEM #	US26D	US3	US1, 10, 10BE, 26, 4	PCS / MC
Entrance	F109	CTUSL00	\$150.40	\$150.40	\$154.79	10
		ICCTUSL00				
Entrance Push Button Lock	F82	CTUSL01				
		CTUSL03				
Classroom	F84	ICCTUSL03				
		CTUSL05				
Storeroom	F86	ICCTUSL05				
		CTUSL20				
Privacy	F76	CTUSL20				
Passage	F75	TUSL30	112.05	112.05	119.42	
Exit	F89	TUSL50	113.55	113.55	123.89	
Single Dummy	----	TUSL40	48.69	48.69	53.08	20

FUNCTIONS	ANSI	ITEM #	US26D	US3	US1, 10, 10BE, 26, 4	PCS / MC
Entrance	F109	C2-LON00	\$180.48	\$180.48	185.75	10
		ICC2-LON00				
Entrance Push Button Lock	F82	C2-LON01				
		C2-LON03				
Classroom	F84	ICC2-LON03				
		C2-LON05				
Storeroom	F86	ICC2-LON05				
		C2-LON20				
Privacy	F76	C2-LON20				
Passage	F75	2-LON30	134.46	134.46	143.31	
Exit	F89	2-LON50	136.26	136.26	148.66	
Single Dummy	----	2-LON40	58.43	58.43	63.71	20

- To Order: "2-AUG", "2-DAN", or "2-TAC" design, Replace "2-LON" with design name when ordering.
- Example: C2-LON00 Entrance in "TAC" design is C2-TAC00.

IC Indicates function available with Best, Falcon and Arrow Interchangeable Core. Prices do not include cores.
For IC Core pricing see pages L119 – L120. For Keying charges see page L129.



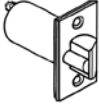
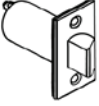
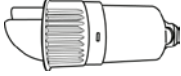
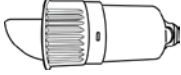
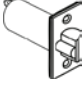

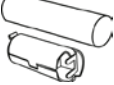
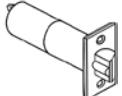
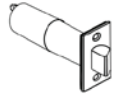
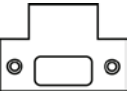



LOCKSETS PRICE LIST

Effective | APR 2025

► **ADDITIONAL PARTS & CHARGES TUSCANY SERIES**

Backsets: UL listed 2 3/8", (2 1/4" x 1") faceplate, **NO EXTRA CHARGE** if ordered with lock only. Otherwise \$17.57 List Each.

◆◆ STANDARD DISCOUNT ONLY ◆◆				
ILLUSTRATION	ITEM #	DESCRIPTION	FINISH	LIST PRICE
	ULSLD238	UL-listed Dead Latch 2 3/8" 2 1/4" x 1" Faceplate	US3, 26D, 10B, 10, 26	\$17.57
	ULSLS238	UL-listed Spring Latch 2 3/8" 2 1/4" x 1" Faceplate	US26D, 10B, 10, 26	
	SLDRI-1	2 3/4" Entrance, Drive-in Latch bolt for G2 Lockset	ZINC	
	SLDRI-4	2 3/8" Entrance, Drive-in Latch bolt for G2 Lockset		
	SLDRI-2	2 3/4" Privacy / Passage, Drive-in Latch bolt for G2 Lockset		
	SLDRI-5	2 3/8" Privacy / Passage, Drive-in Latch bolt for G2 Lockset		
EXTRA UL LISTED BACKSET				
	ULSLD234	Dead Latch 2 3/4" 2 1/4" x 1 1/8" Faceplate	US3, 26D, 10B, 10, 26	17.57
	ULSLS234	Spring Latch 2 3/4" 2 1/4" x 1 1/8" Faceplate	US3, 26D, 10B, 10, 26	
3 3/4", 5" UL LISTED BACKSET				
	SL5	5" UL listed Extension Link	---	25.38
	SLD334	3 3/4" Dead latch, 2 1/4" x 1 1/8" Faceplate	US3, 26D, 10B	
	SLS334	3 3/4" Spring Latch, 2 1/4" x 1 1/8" Faceplate		
STRIKES				
	TS	T-Strike	US3, 26D, 10B, 10, 26, 15, 4	3.18
	FLS	Full lip strike	US3, 26D, 10B, 10, 26, 15, 4, 5	



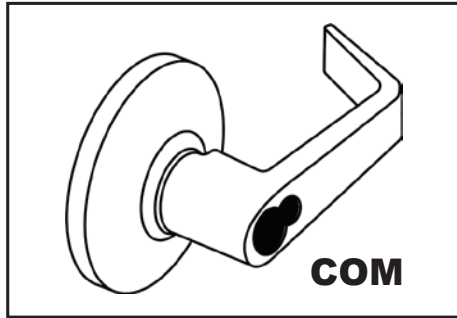


COMMANDER COM (CLUTCH) Series

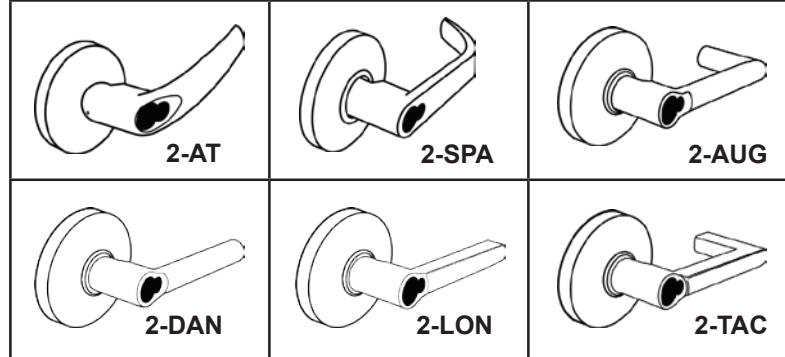
HEAVY DUTY CYLINDRICAL LEVERSETS WITH CLUTCH

ANSI - A156.2, Series 4000, Grade 2

Optional Full Size Interchangeable Core for **SCHLAGE, SARGENT, CORBIN/RUSSWIN, YALE**



***Use SL Pioneer series lockset for interior locks.



STOCK ITEM PRICES IN BOLD
NON-STOCK FINISHES AND DESIGNS AVAILABLE WITH FACTORY LEAD TIME AND SUBJECT TO MINIMUM ORDER.

FUNCTIONS	ANSI	ITEM #	US26D, 3	US10BE	US1, 10, 26, 4, 5	PCS / MC
Entrance	F109	ICCOM00	\$155.72	\$160.67	\$160.67	10
Storeroom	F86	ICCOM05				
Classroom	F84	ICCOM03	159.04	164.01	164.01	

(IC) Indicates function available with Schlage Large Format IC. (*Available in COM design only)

FUNCTIONS	ANSI	ITEM #		US26D	US3	US1, 10, 10B, 10BE, 26, 4, 5	PCS / MC
Entrance	F109	YALIC2-AT00	YALIC2-SPA00	\$205.54	\$205.54	\$212.09	10
Storeroom	F86	YALIC2-AT05	YALIC2-SPA05				
Classroom	F84	YALIC2-AT03	YALIC2-SPA03	209.94	209.94	216.48	

(YALIC) Indicates function available with Yale Large Format IC. (*Available in 2-AT & 2-SPA designs only)

FUNCTIONS	ANSI	ITEM #	US26D	US3	US1, 10, 10B, 10BE, 26, 4, 5	PCS / MC
Entrance	F109	ICSC2-LON00	\$205.54	\$205.54	\$212.09	10
Storeroom	F86	ICSC2-LON05				
Classroom	F84	ICSC2-LON03	209.94	209.94	216.48	

Entrance	F109	SARIC2-LON00	205.54	205.54	212.09	10
Storeroom	F86	SARIC2-LON05				
Classroom	F84	SARIC2-LON03	209.94	209.94	216.48	

Entrance	F109	RUSIC2-LON00	205.54	205.54	212.09	10
Storeroom	F86	RUSIC2-LON05				
Classroom	F84	RUSIC2-LON03	209.94	209.94	216.48	

(**ICSC, SARIC, and RUSIC Large Format IC available in: 2-AT, 2-SPA, 2-AUG, 2-DAN, 2-LON, 2-TAC designs only)

- To Order: Replace "LON" with design name when ordering. eg. ICSC2-LON00 Entrance in "TAC" design is ICSC2-TAC00.

- (ICSC) Indicates function available with Schlage Large Format IC.
- (SARIC) Indicates function available with Sargent Large Format IC.
- (RUSIC) Indicates function available with Corbin / Russwin Large Format IC.

Prices do not include cores.
For IC Core pricing see page L120.
For Keying charges see page L129.





LOCKSETS PRICE LIST

Effective | APR 2025



LIFETIME WARRANTY

MEETS
The Buy American Act

QUANTITY DISCOUNT

- 50 UNITS MIXED ►► LESS 5%
- 100 UNITS MIXED ►► LESS 10%

► **PACKAGING INCLUDES**

- UL Listed 2 3/4" Backset, 2 1/4" x 1 1/8" faceplate
- Less cylinder
- ASA Strike

► **TACTILE / LEAD LINING**

- Lead Lining Part # LEAD Add \$195.12 List
- Tactile Part # TAC Add \$39.76 List

► **ADDITIONAL PARTS & CHARGES FOR COMMANDER SERIES**

Backsets: UL listed 2 3/8", 2 1/4" x 1 1/8" Faceplate, **NO EXTRA CHARGE** if ordered with lock only. If ordered separately **\$17.57 List Each**.

◆◆◆ STANDARD DISCOUNT ONLY ◆◆◆				
ILLUSTRATION	ITEM #	DESCRIPTION	FINISH	LIST PRICE
	GND238	UL-listed Dead Latch 2 3/4"	US3, 26D, 10BE, 26	\$17.57
	GND750	2 3/4" x 1 1/8" x 3/4" throw, anti-friction Dead latch for pairs of fire doors	US3, 26D, 10B, 10	92.77
	SLDRI-1	2 3/4" Entrance, Drive-in Latch bolt for G2 Lockset	ZINC	17.57
	SLDRI-4	2 3/8" Entrance, Drive-in Latch bolt for G2 Lockset		
	GEN5 EXT	5" Backset Extension Link	US26D	25.02
	GEN334 EXT	3 3/4" Backset Extension Link	----	
EXTRA UL LISTED BACKSET				
	GND234	Dead Latch 2 3/4"	US3, 26D, 10B, 26	17.57
STRIKES				
	TS	T-Strike	US3, 26D, 10B, 26, 10, 4	16.40
	FLS	Full lip strike	US3, 26D, 10B, 26, 10, 4, 5	
TAIL PIECE				
	ICTP07	Tail piece for Schlage Large format IC Core	----	2.49



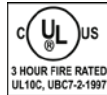
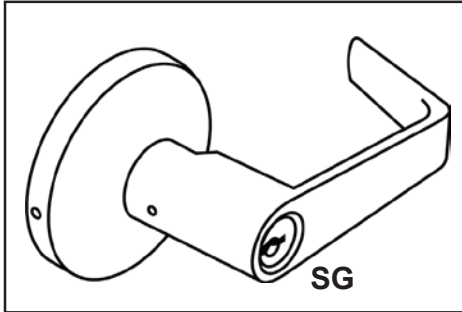


CHALLENGER SG Series List Price

STANDARD DUTY CYLINDRICAL LEVERSETS

ANSI STANDARD A156.2, GRADE 2

Ⓢ Optional Interchangeable Core for **Best, Falcon and Arrow**



QUANTITY DISCOUNT
50 UNITS MIXED ▶▶ LESS 5%
100 UNITS MIXED ▶▶ LESS 10%

STOCK ITEM PRICES IN BOLD
NON-STOCK FINISHES AND DESIGNS AVAILABLE WITH FACTORY LEAD TIME
AND SUBJECT TO MINIMUM ORDER.

FUNCTIONS	ANSI	ITEM #	US26D	US3	US10BE, 26	US15	US10, 4, 15A	PCS / MC	
Entrance	F109	SG00	\$96.01	\$96.01	\$104.74	\$104.74	\$104.74	10	
		Ⓢ ICSG00	96.01	96.01	104.74	104.74			
Entrance Push Button Lock	F82	SG01	96.01	---	---	---			
Storeroom	F86	SG05	96.01	96.01	104.74	104.74			
		Ⓢ ICSG05	96.01	96.01	104.74	104.74			
Classroom	F84	SG03	96.01	96.01	104.74	104.74			
		Ⓢ ICSG03	96.01	96.01	104.74	104.74			
Patio	F77	SG10	85.43	85.43	94.16	94.16			94.16
Privacy	F76	SG20	78.54	78.54	87.27	87.27			87.27
Passage	F75	SG30	76.85	76.85	85.51	85.51			85.51
Exit	F89	SG50							
Single Dummy	----	SG40	38.39	38.39	47.12	47.12	47.12	20	

Ⓢ (IC) Indicates function available with **Best, Falcon and Arrow** Interchangeable Core. **Prices do not include cores.**
For IC Core pricing see pages **L119 – L120**. For Keying charges see page **L129**.

▶ **PACKAGING INCLUDES**

- ▶ UL Listed 2 3/4" backset (2 1/4" x 1", square corner packed with plastic filler for 1 1/8" width). 2 3/8" available on request.
- ▶ Standard "C", 6-pin cylinder
- ▶ Packed with ASA Strike

▶ **MOUNT**

2 hole wooden mount. List: **\$97.59 Each**

▶ **KEYWAYS**

6-pin solid brass "C" keyway standard. Optional: Schlage E, Schlage C-K, Russwin D1-2-3-4, Corbin 59 / 60, Arrow A, Corbin-Russwin L4, Sargent LA-LB-LC, Falcon / Weiser E, Yale 8, Yale GA and Kwikset.

Can also accept Medeco, Assa, Kaba and **Cal-Royal HSK** High Security Cylinders. See **page L129** for keying charges and Cylinder PART #.



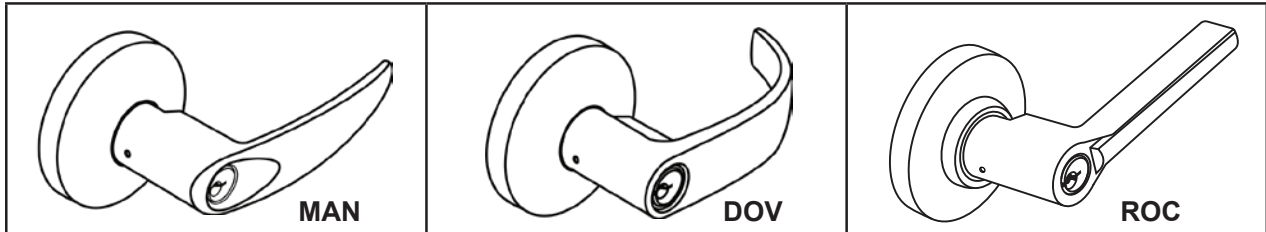


CHALLENGER SG, MAN, DOV, ROC Series List Price

STANDARD DUTY CYLINDRICAL LEVERSETS
ANSI STANDARD A156.2, GRADE 2



Optional Interchangeable Core for **Best, Falcon and Arrow**



STOCK ITEM PRICES IN BOLD
NON-STOCK FINISHES AND DESIGNS AVAILABLE WITH FACTORY LEAD TIME AND SUBJECT TO MINIMUM ORDER

FUNCTIONS	ANSI	ITEM #	US26D	US3	US1	US10BE, 26, 15, 15A, 4	PCS / MC
Entrance	F109	MAN00 / DOV00	\$96.01	\$96.01	\$104.74	\$104.74	10
		ROC00			104.74		
		ICMAN00 / ICDOV00 / ICROC00	96.01		104.74		
Storeroom	F86	MAN05 / DOV05	96.01	96.01	104.74	104.74	10
		ROC05	104.74				
		ICMAN05 / ICDOV05 / ICROC05	96.01		104.74		
Classroom	F84	MAN03 / DOV03	96.01	96.01	104.74	104.74	10
		ROC03	104.74				
		ICMAN03 / ICDOV03 / ICROC03	96.01		104.74		
Patio	F77	MAN10 / DOV10 / ROC10	85.43	85.43	94.16	94.16	
Privacy	F76	MAN20 / DOV20	78.54	78.54	87.27	87.27	10
		ROC20			87.27		
Passage	F75	MAN30 / DOV30	76.85	76.85	85.51	85.51	10
		ROC30			85.51		
Exit	F89	MAN50 / DOV50 / ROC50	76.85	76.85	85.51	85.51	
Single Dummy	---	MAN40 / DOV40	38.39	38.39	47.12	47.12	20
		ROC40			47.12		

IC Indicates function available with **Best, Falcon and Arrow** Interchangeable Core. Prices do not include cores. For IC Core pricing see pages L119 – L120. For Keying charges see page L129.

► **PACKAGING INCLUDES**

- UL Listed 2 3/4" backset (2 1/4" x 1", square corner packed with plastic filler for 1 1/8" width). 2 3/8" available on request.
- Standard "C", 6-pin cylinder
- Packed with ASA Strike

► **MOUNT**

2 hole wooden mount
List: \$97.59 Each

QUANTITY DISCOUNT
50 UNITS MIXED ►► LESS 5%
100 UNITS MIXED ►► LESS 10%

► **KEYWAYS**

6-pin solid brass "C" keyway standard. Optional: Schlage E, Schlage C-K, Russwin D1-2-3-4, Corbin 59 / 60, Arrow A, Corbin-Russwin L4, Sargent LA-LB-LC, Falcon / Weiser E, Yale 8, Yale GA and Kwikset. Can also accept Medeco, Assa, Kaba and **Cal-Royal HSK** High Security Cylinders. See page L129 for keying charges and Cylinder PART #.



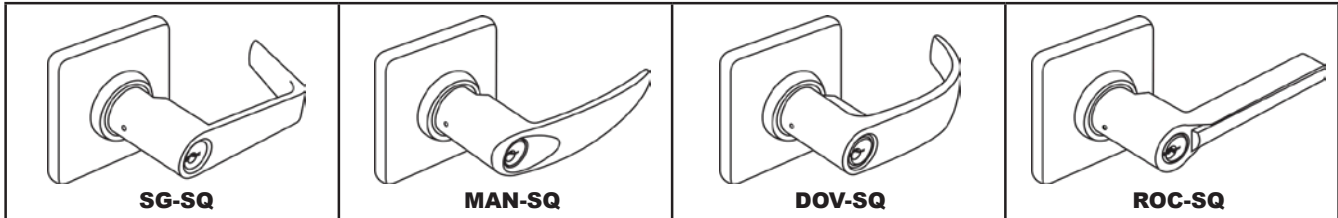


CHALLENGER SG, MAN, DOV, ROC Series List Price

STANDARD DUTY CYLINDRICAL LEVERSETS
ANSI STANDARD A156.2, GRADE 2



Optional Interchangeable Core for **Best, Falcon and Arrow**



STOCK ITEM PRICES IN BOLD
NON-STOCK FINISHES AND DESIGNS AVAILABLE WITH FACTORY LEAD TIME AND SUBJECT TO MINIMUM ORDER

FUNCTIONS	ANSI	ITEM #	US26D	US10B, 10BE, 15	US1	US3	US26, 15A, 10, 4	PCS / MC
Entrance	F109	SG00-SQ / MAN00-SQ / DOV00-SQ /	\$105.86	\$114.59	\$114.59	\$105.86	\$114.59	10
		ROC00-SQ			114.59			
		ICSG00-SQ / ICMAN00-SQ / ICDOV00-SQ / ICROC00-SQ	105.86	114.59	114.59			
Entrance Push Button Lock	F82	SG01-SQ	105.86	114.59	114.59	105.86	114.59	
Storeroom	F86	SG05-SQ / MAN05-SQ / DOV05-SQ /	105.86	114.59	114.59	105.86	114.59	10
		ROC05-SQ			114.59			
		ICSG05-SQ / ICMAN05-SQ / ICDOV05-SQ / ICROC05-SQ	105.86	114.59	114.59			
Classroom	F84	SG03-SQ / MAN03-SQ / DOV03-SQ	105.86	114.59	114.59	105.86	114.59	10
		ROC03-SQ			114.59			
		ICSG03-SQ / ICMAN03-SQ / ICDOV03-SQ / ICROC03-SQ	105.86	114.59	114.59			
Patio	F77	SG10-SQ / MAN10-SQ / DOV10-SQ / ROC10-SQ	95.29	104.03	104.03	95.29	104.03	
Privacy	F76	SG20-SQ / MAN20-SQ / DOV20-SQ /	88.39	97.13	97.13	88.39	97.13	
		ROC20-SQ			97.13			
Passage	F75	SG30-SQ / MAN30-SQ / DOV30-SQ /	86.70	95.37	95.37	86.70	95.37	
		ROC30-SQ			95.37			
Exit	F89	SG50-SQ / MAN50-SQ / DOV50-SQ /	81.77	90.44	90.44	81.77	90.44	
		ROC50-SQ						
Single Dummy	---	SG40-SQ / MAN40-SQ / DOV40-SQ /	43.32	52.05	52.05	43.32	52.05	20
		ROC40-SQ			52.05			

IC (IC) Indicates function available with **Best, Falcon and Arrow** Interchangeable Core.
Prices do not include cores. For IC Core pricing see pages L119 – L120.
 For Keying charges see page L129.

QUANTITY DISCOUNT
 50 UNITS MIXED ►► **LESS 5%**
 100 UNITS MIXED ►► **LESS 10%**

► **KEYWAYS**

6-pin solid brass "C" keyway standard. Optional: Schlage E, Schlage C-K, Russwin D1-2-3-4, Corbin 59 / 60, Arrow A, Corbin-Russwin L4, Sargent LA-LB-LC, Falcon / Weiser E, Yale 8, Yale GA and Kwikset. Can also accept Medeco, Assa, Kaba and **Cal-Royal HSK** High Security Cylinders. See page L129 for keying charges and Cylinder PART #.

► **PACKAGING INCLUDES**

- UL Listed 2 3/4" backset (2 1/4" x 1", square corner packed with plastic filler for 1 1/8" width). 2 3/8" available on request.
- Standard "C", 6-pin cylinder
- Packed with ASA Strike

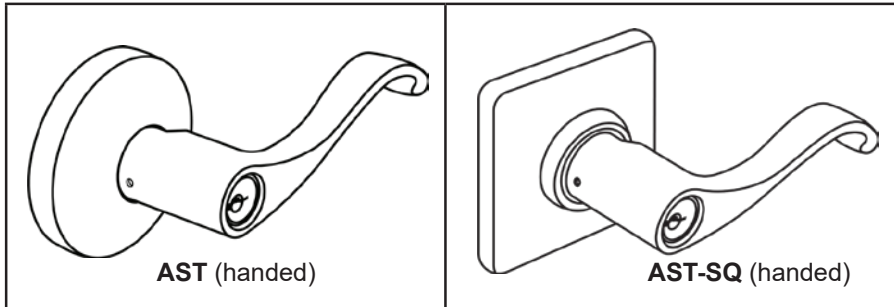




CHALLENGER AST Series List Price

STANDARD DUTY CYLINDRICAL LEVERSETS

ANSI STANDARD A156.2, GRADE 2



QUANTITY DISCOUNT
 50 UNITS MIXED ▶▶ LESS 5%
 100 UNITS MIXED ▶▶ LESS 10%

LIFETIME WARRANTY **BHMA CERTIFIED**
 Be Safe. Be Secure. Look for the Mark.



MEETS
 The Buy American Act

STOCK ITEM PRICES IN BOLD
 NON-STOCK FINISHES AND DESIGNS AVAILABLE WITH FACTORY LEAD TIME
 AND SUBJECT TO MINIMUM ORDER.

FUNCTIONS	ANSI	ITEM #	US3	US15,15A	US26D	US10BE, 26	PCS / MC
Entrance	F109	AST00	\$96.01	\$104.74	\$96.01	\$104.74	10
Storeroom	F86	AST05					
Classroom	F84	AST03					
Privacy	F76	AST20	78.54	87.27	78.54	87.27	
Passage	F75	AST30	76.85	85.51	76.85	85.51	
Exit	F89	AST50	76.85	85.51			
Single Dummy	----	AST40	38.39	47.12	38.39	47.12	20

FUNCTIONS	ANSI	ITEM #	US15	US26D, 3	US10BE, 26, 15A, 4	PCS / MC
Entrance	F109	AST00-SQ	\$114.59	\$105.86	\$114.59	10
Storeroom	F86	AST05-SQ				
Classroom	F84	AST03-SQ				
Privacy	F76	AST20-SQ	97.13	88.39	97.13	
Passage	F75	AST30-SQ	95.37	86.70	95.37	
Exit	F89	AST50-SQ	90.44	81.77	90.44	
Single Dummy	---	AST40-SQ	52.05	43.32	52.05	20

► **PACKAGING INCLUDES**

- UL Listed 2 3/8" backset (2 1/4" x 1" round corner). 2 3/4" available on request.
- Standard "C", 6-pin cylinder
- Packed with FLS Strike

► **IC CORES, KEYING CHARGES**

For IC Core pricing see pages L119 – L120.
 For Keying charges see page L129.

► **MOUNT**

2 hole wooden mount. List: **\$97.59 Each**

► **KEYWAYS**

6-pin solid brass "C" keyway standard. Optional: Schlage E, Schlage C-K, Russwin D1-2-3-4, Corbin 59 / 60, Arrow A, Corbin-Russwin L4, Sargent LA-LB-LC, Falcon / Weiser E, Yale 8, Yale GA and Kwikset. Can also accept Medeco, Assa, Kaba and **Cal-Royal HSK** High Security Cylinders. See **page L129** for keying charges and Cylinder PART #.

*SH SPECIFY HANDING FOR "AST" Design.

*HANDING: Entrance, Privacy and Passage functions are reversible non handed on AST designs. Specify handing for convenience. If handing is not available at time of shipment, opposite hand will be shipped. Other functions are handed.





LOCKSETS PRICE LIST

Effective | APR 2025

► ADDITIONAL PARTS & CHARGES FOR CHALLENGER SERIES

Backsets: UL listed 2 3/8", (2 1/4" x 1") faceplate, **NO EXTRA CHARGE** if ordered with lock only. Otherwise \$17.57 List Each.

◆◆◆ STANDARD DISCOUNT ONLY ◆◆◆				
ILLUSTRATION	ITEM #	DESCRIPTION	FINISH	LIST PRICE
	UL-HIL238	2 3/8" UL-listed Dead latch, 2 1/4" x 1" Faceplate (key functions only)	US3, 26D, 10B, 10BE, 10, 26	\$17.57
	UL-SLS238	2 3/8" UL-listed Spring Latch, 2 1/4" x 1" Faceplate (for privacy only)	US3, 26D, 10B, 10BE, 10, 26	
	UL-SHIL238	2 3/8" UL-listed Spring Latch, 2 1/4" x 1" Faceplate (for passage only)	US3, 26D, 10B, 10BE, 10, 26	
	ULSGPA238	2 3/8" UL-listed Dead Latch, 2 1/4" x 1" Faceplate (for SG10, SL10 Patio Function and SL101 Dormitory/ Assisted Living Function)	US26D	
	SLDRI-1	2 3/4" Entrance, Drive-in Latch bolt for G2 Lockset	ZINC	
	SLDRI-4	2 3/8" Entrance, Drive-in Latch bolt for G2 Lockset	ZINC	
	SLDRI-2	2 3/4" Privacy / Passage, Drive-in Latch bolt for G2 Lockset	ZINC	
	SLDRI-5	2 3/8" Privacy / Passage, Drive-in Latch bolt for G2 Lockset	ZINC	
EXTRA UL LISTED BACKSET				
	UL-HIL234	Dead Latch 2 3/4" 2 1/4" x 1 1/8" Faceplate	US3, 26D, 10B, 10, 26	17.57
	UL-SHIL234	Spring Latch 2 3/4" 2 1/4" x 1" Faceplate	US3, 26D, 10B, 10BE, 10, 26	
3 3/4", 5" UL LISTED BACKSET				
	SL5	5" UL listed Extension Link	----	25.38
	SLD334	3 3/4" Dead latch, 2 1/4" x 1 1/8" Faceplate	US3, 26D, 10B	
	SLS334	3 3/4" Spring Latch, 2 1/4" x 1 1/8" Faceplate	US3, 26D, 10B	
TAIL PIECE				
	ICTP-03	6-pin Tail Piece for IC Challenger Series	----	2.49
	ICTP-04	7-Pin Tail Piece for IC Challenger Series		
STRIKES				
	TS	T strike	US3, 26D, 10B, 10, 15, 26, 4	3.18
	FLS	Full lip strike	US3, 26D, 10B, 10, 15, 26, 4, 15A	
	LFA18	Latch front adapter to convert 1" faceplate to 1 1/8" wide door preparation	CLEAR	0.43





GRAND Series List Price

STANDARD DUTY TUBULAR LEVERSETS

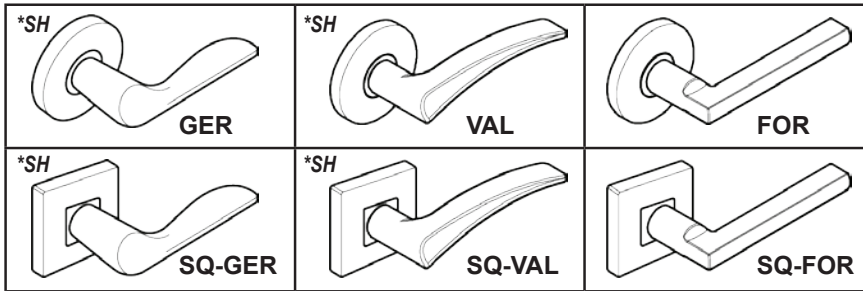
ANSI - A156.2, Series 4000, Grade 2 **New Lower Prices**



LIFETIME WARRANTY

MEETS
The Buy American Act

ALL ITEMS BELOW ARE AVAILABLE WITH FACTORY LEAD TIME AND SUBJECT TO MINIMUM ORDER QUANTITY. SAMPLES FOR SUBMITTAL ARE AVAILABLE IN US32D, US26D, US26 & US1 FINISH. CONSULT FACTORY.



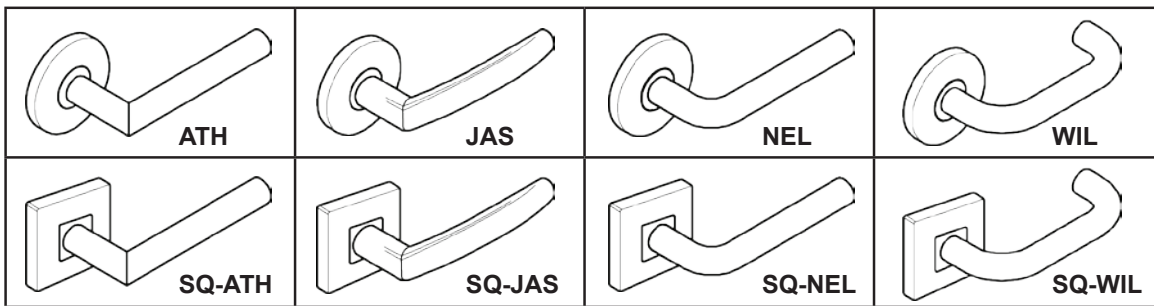
GERARD and **VALENCIA** lever designs are handed, field reversible.
**SH Specify Handing: R (Right) or L (Left) when ordering.*

for **GERARD (GER)** ----- **VALENCIA (VAL)** ----- **FORREST (FOR)** lever designs only

FUNCTIONS	ANSI	ITEM #	FINISH	LIST PRICE EACH	PCS / MC
Privacy	F76	GER20 / SQ-GER20	US26D, 26, 15, US10BE, 10, US1, 3, 4	\$67.57	10
Passage	F75	GER30 / SQ-GER30		64.55	
Exit	F89	GER50 / SQ-GER50		33.31	20
Dummy	---	GER40 / SQ-GER40		73.28	10
Two Sided Dummy	---	GER70 / SQ-GER70			

- To Order:** Replace "GER" with design name when ordering. eg. GER20 Privacy in "FOR" design is **FOR20**
- Square Rose Option:** Prefix "SQ-" before Part # when ordering. eg. GER20 with Square Rose is **SQ-GER20**

Optional 90-Minute UL Listed Latch available. Must Specify 2 3/4" or 2 3/8" Backset when ordering. Prefix: "UL" before Part #. ADD \$8.44 to List.



QUANTITY DISCOUNT
50 UNITS MIXED
▶▶ LESS 5%
100 UNITS MIXED
▶▶ LESS 10%

for **ATHENS (ATH)** --- **JASPER (JAS)** --- **NELSON (NEL)** --- **WILSON (WILSON)** lever designs only

FUNCTIONS	ANSI	ITEM #	FINISH	LIST PRICE EACH	PCS / MC
Privacy	F76	ATH20 / SQ-ATH20	US32D, 32, US10BE, 1	\$67.57	10
Passage	F75	ATH30 / SQ-ATH30		64.55	
Exit	F89	ATH50 / SQ-ATH50		33.31	20
Dummy	---	ATH40 / SQ-ATH40		73.28	10
Two Sided Dummy	---	ATH70 / SQ-ATH70			

- To Order:** Replace "GER" with design name when ordering. eg. ATH20 Privacy in "WIL" design is **WIL20**
- Square Rose Option:** Prefix "SQ-" before Part # when ordering. eg. ATH20 with Square Rose is **SQ-ATH20**

Optional 90-Minute UL Listed Latch available. Must Specify 2 3/4" or 2 3/8" Backset when ordering. Prefix: "UL" before Part #. ADD \$8.44 to List.





LOCKSETS PRICE LIST

Effective | APR 2025

► **PACKAGING INCLUDES**

- 2 3/8" Backset, 2 1/4" x 1" faceplate **OR**
- 2 3/4" Backset, 2 1/4" x 1" faceplate with plastic filler
- T-Strike with plastic dust box
- Optional ANSI and full lip strike available

► **ADDITIONAL PARTS & CHARGES FOR GRAND SERIES**

For 2" door thickness, **ADD \$3.18 to List Price.**

◆◆◆ STANDARD DISCOUNT ONLY ◆◆◆				
ILLUSTRATION	ITEM #	DESCRIPTION	FINISH	LIST PRICE
	GRD234-PRI	(Non-UL Listed) 2 3/4" Backset, 2 1/4" x 1" faceplate with plastic filler; for Privacy function only	US32D, 32, 1, 10, 10BE, 15, 26, 26D, 3, 4	\$17.57
	GRD234-PAS	(Non-UL Listed) 2 3/4" Backset, 2 1/4" x 1" faceplate with plastic filler; for Passage & Exit functions		
	GRD238-PRI	(Non-UL Listed) 2 3/8" Backset, 2 1/4" x 1" faceplate, for Privacy function only	US32D, 32, 1, 10, 10BE, 15, 26, 26D, 3, 4	
	GRD238-PAS	(Non-UL Listed) 2 3/8" Backset, 2 1/4" x 1" faceplate, for Passage & Exit functions		
	ULGRD234-PRI	UL Listed 2 3/4" Backset, 2 1/4" x 1" faceplate with plastic filler; for Privacy function only	US32D, 32, 1, 10, 10BE, 15, 26, 26D, 3, 4	21.00
	ULGRD234-PAS	UL Listed 2 3/4" Backset, 2 1/4" x 1" faceplate with plastic filler; for Passage & Exit functions		
	ULGRD238-PRI	UL Listed 2 3/8" Backset, 2 1/4" x 1" faceplate, for Privacy function only	US32D, 32, 1, 10, 10BE, 15, 26, 26D, 3, 4	
	ULGRD238-PAS	UL Listed 2 3/8" Backset, 2 1/4" x 1" faceplate, for Passage & Exit functions		
	GRD-PIN	Locking Pin for Privacy function only	US32D, 32, 1, 10, 10BE, 15, 26, 26D, 3, 4	2.42
	TS	T-Strike	US32D, 1, 10, 10B, 15, 26, 26D, 3, 4	3.18
	FLS	Full Lip Strike		
	ASAST	ANSI ASA Strike	US26, 26D, 3	3.23
			US1, 10, 10BE	4.84



ATSI Technical Services, Inc.
6174 State Route 88, Finleyville, PA 15332

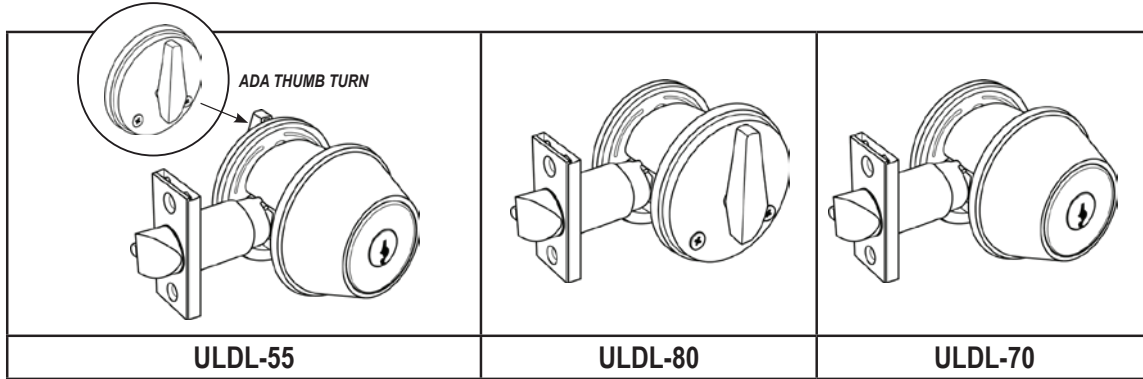


GUARDIAN Series List Price

STANDARD DUTY CYLINDRICAL DEAD LATCHES ANSI STANDARD A156.36, GRADE 2



MEETS
The Buy American Act



STOCK ITEM PRICES IN BOLD
NON-STOCK FINISHES AND DESIGNS AVAILABLE WITH FACTORY LEAD TIME AND SUBJECT TO MINIMUM ORDER

FUNCTION	ANSI	ITEM #	FINISH	LIST PRICE EACH	PCS / MC
UL Listed, Single Cylinder with Turn Piece	E01102	ULDL-55	US26D, 10BE, 1, 10, 26, 15, 3, 4	\$114.84	20
UL Listed, Single Cylinder with Blank Plate	E0132	ULDL-70		114.84	
UL Listed, Turn Piece with Blank Plate	E01122	ULDL-80		97.63	

► **PACKAGING INCLUDES**

- Standard "C" 6-pin Cylinder
- 2 3/4" Backset, 2 1/4" x 1" faceplate with plastic filler
- T-Strike

► **KEYWAYS**

6-Pin Solid Brass "C" Keyway Standard.
Weiser "E", Arrow "A", and Kwikset also available.

► **KEYING CHARGES**

For Keying charges see page L129.

► **ADDITIONAL PARTS & CHARGES FOR GUARDIAN SERIES** ◆◆◆ **STANDARD DISCOUNT ONLY** ◆◆◆

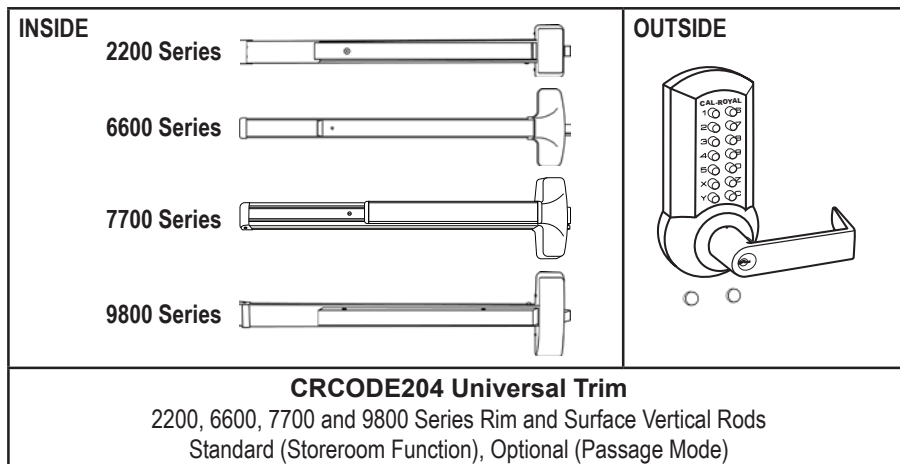
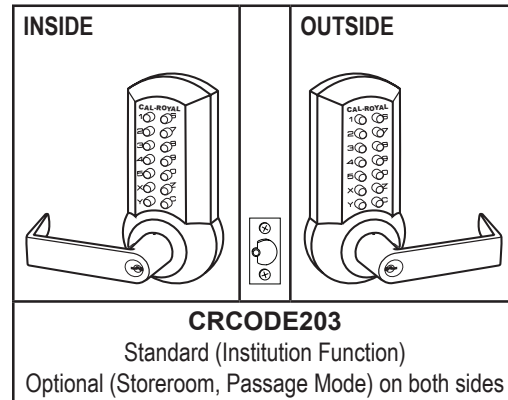
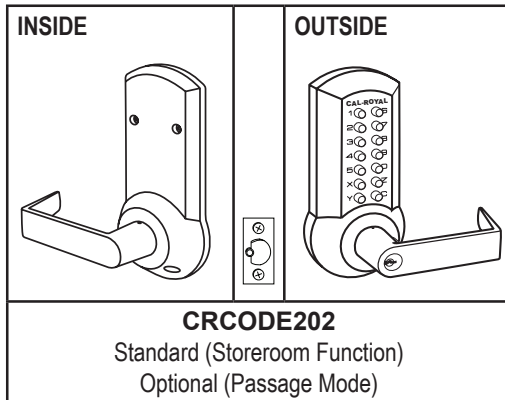
ILLUSTRATION	ITEM #	DESCRIPTION	FINISH	LIST PRICE
	ULDB-238	UL Listed, 2 3/8" Dead Latch, 2 1/4" x 1" Faceplate with plastic filler	US26D, 10BE, 1	\$17.57
	SL5	UL Listed, 5" Extension Link	---	25.38
	SLD334	3 3/4" Dead latch, 2 1/4" x 1 1/8" Faceplate	US3, 26D, 10BE	
	ASAST	ASA Strike	US3, 26D, 26, 15	3.23
	ASAST	ASA Strike	US1, 10, 10BE, 4	4.84
	FLS	Full Lip Strike	US3, 26D, 10BE, 10, 26, 15, 4	3.18
	ADP-138	Optional Adapter Ring for 1 3/8" doors	US3, 26D, 10BE, 1, 10, 26, 15, 4	15.00





CRCODE200 Series List Price

GRADE 2, MECHANICAL STAND ALONE PUSH BUTTON LOCK AND EXIT DEVICE TRIM WITH **BREAKAWAY LEVER FEATURE**



FUNCTION	ITEM #	US26D	US10B	PCS / MC
Mechanical Easy Code Change Lock with 2 3/4" backset latchbolt Door Thickness: 1 3/8" - 2 1/4"	CRCODE202	\$507.50	532.90	6
Double Coded Easy Code Change Lock with 2 3/4" backset latchbolt Door Thickness: 1 3/8" - 1 3/4"	CRCODE203	686.61	720.99	6
Mechanical Easy Code Change Exit Trim for 2200, 6600, 7700 and 9800 Series Exit Devices Door Thickness: 1 3/4" - 2"	CRCODE204	440.33	462.71	8
ACCESSORIES				
CRCODE200 Series Dead latch 2 3/8" 2 1/4" x 1" Faceplate (for CRCODE-202 and 203)	CRSLD	26.58	---	1
Easy Code Change Key	EZCHKEY	1.77	---	1

► For Keying charges see page L129.



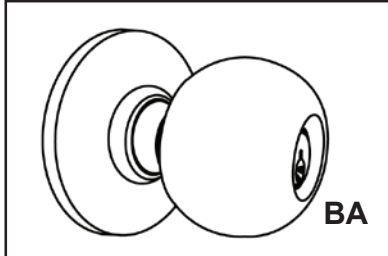


BARRINGTON BA Series List Price

STANDARD DUTY CYLINDRICAL LOCKSETS

ANSI A156.2 Series 4000 Grade 2

Optional Interchangeable Core for **Best, Falcon and Arrow**



LIFETIME WARRANTY

MEETS
The Buy American Act

QUANTITY DISCOUNT
50 UNITS MIXED ►► LESS 5%
100 UNITS MIXED ►► LESS 10%

STOCK ITEM PRICES IN BOLD
NON-STOCK FINISHES AND DESIGNS AVAILABLE WITH FACTORY LEAD TIME AND SUBJECT TO MINIMUM ORDER.

Made in Korea								
FUNCTION	ANSI	ITEM #	US32D	US10BE	US3	US10	US4, 26	PCS / MC
Entrance *****KA/4	F109	BA00	\$61.67	\$72.72	\$72.72	\$72.72	\$72.72	20
		ICBA00	70.38	79.73	70.38	\$79.73	\$79.73	
Combination Entrance and Single Cylinder Deadbolt -- KA / 2 packed together	---	BA00 / T220	104.20	---	---	---	---	
Classroom	F84	BA03	72.72	76.41	76.41	\$76.41	76.41	20
		ICBA03	76.61	85.97	76.61	85.97	85.97	
Storeroom	F86	BA05	61.67	72.72	72.72	\$72.72	72.72	20
		ICBA05	70.38	79.73	70.38	79.73	79.73	
Communicating	F80	BA04	105.90	120.63	120.63	120.63	120.63	20
Institution	F87	BA09						
Privacy	F76	BA20	50.68	54.36	54.36	\$54.36	54.36	
Passage	F75	BA30	43.31	50.68	50.68	\$50.68	50.68	
Exit	F89	BA50				50.68		
Single Dummy	----	BA40	18.43	23.96	23.96	\$23.96	23.96	50

Made in Taiwan								
FUNCTION	ANSI	ITEM #	US32D	US10B	US3	US10, 4, 26	US19	PCS / MC
Entrance *****KA / 4	F109	TBA00	\$54.08	\$63.86	\$63.86	\$63.86	\$63.86	20
		ICTBA00			63.86		63.86	
Classroom	F84	TBA03	62.30	73.50	73.50	73.50	73.50	20
		ICTBA03			73.50		73.50	
Storeroom	F86	TBA05	54.08	63.86	63.86	63.86	63.86	20
		ICTBA05			63.86		63.86	
Storelock	F91	TBA02	105.90	123.89	123.89	123.89	123.89	20
Communicating	F80	TBA04						
Institution	F87	TBA09		123.89	123.89			
Privacy	F76	TBA20	39.34	46.43	46.43	46.43	46.43	
Passage	F75	TBA30	36.07	42.59	42.59	42.59	42.59	
Exit	F89	TBA50	36.07	42.59	42.59	42.59	42.59	
Single Dummy	----	TBA40	17.73	20.91	20.91	20.91	20.91	50





BARRINGTON BA Series List Price

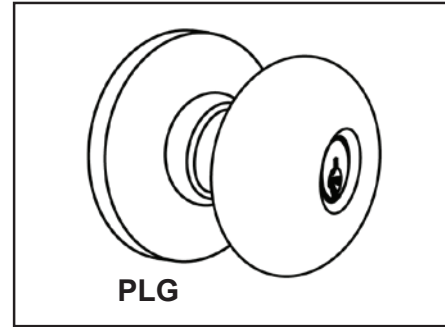
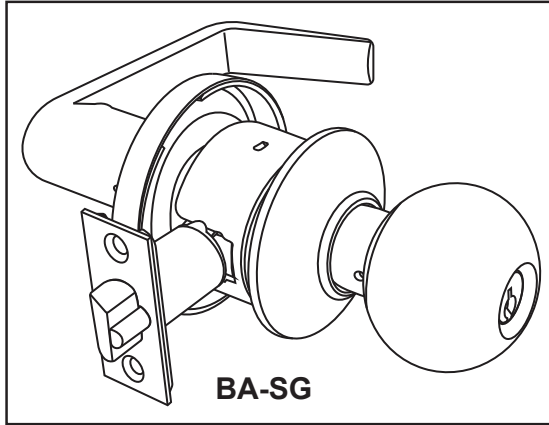
STANDARD DUTY CYLINDRICAL LOCKSETS

ANSI A156.2 Series 4000 Grade 2



LIFETIME WARRANTY

MEETS
The Buy American Act



STOCK ITEM PRICES IN BOLD
NON-STOCK FINISHES AND DESIGNS AVAILABLE WITH FACTORY LEAD TIME AND SUBJECT TO MINIMUM ORDER.

FUNCTION	ANSI	ITEM #	US32D	US3, 10B	US4, 10	PCS / MC
Storeroom	F86	BA-SG05	\$79.38	---	---	10
Entrance *****KA / 4	F109	PLG00	\$61.67	\$72.72	\$77.11	20
Classroom	F84	PLG03	72.72	76.41	81.01	
Storeroom	F86	PLG05	61.67	72.72	77.11	
Storelock	F91	PLG02	112.20	127.86	127.86	
Communicating	F80	PLG04				
Institution	F87	PLG09				
Privacy	F76	PLG20	53.65	57.62	57.62	
Passage	F75	PLG30	45.86	53.65	53.65	
Exit	F89	PLG50	45.86	53.65	53.65	
Single Dummy	---	PLG40	19.56	25.38	25.38	50

▶ **BA / PLG PACKAGING INCLUDES**

- Standard "C", 6-pin cylinder
- UL Listed 2 3/4" Backset
- 2 1/4" x 1 1/8" faceplate and ASA Strike

▶ **BA-SG PACKAGING INCLUDES**

- Standard "C", 6-pin cylinder
- 2 3/8" Backset
- 2 1/4" x 1" Faceplate and T-Strike

▶ **KEYWAYS**

6-pin solid brass "C" keyway standard. Optional: Schlage E, Schlage C-K, Russwin D1-2-3-4, Corbin 59 / 60, Corbin-Russwin L4, Sargent LA-LB-LC, Falcon / Weiser E, Arrow A, Yale 8, Yale GA and Kwikset. Can also accept Medeco, Assa, Kaba and **Cal-Royal HSK** High Security Cylinders. See **page L129** for keying charges and Cylinder PART #.

▶ **IC CORES, KEYING CHARGES**

For IC Core pricing see pages L119 – L120.
For Keying charges see page L129.

▶ **TACTILE / LEAD LINING**

- Lead Lining Part # LEAD, Add \$195.12 List
- Tactile Part # TAC, Add \$39.76 List

QUANTITY DISCOUNT
50 UNITS MIXED ▶▶ LESS 5%
100 UNITS MIXED ▶▶ LESS 10%



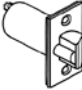

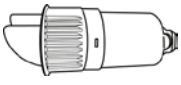
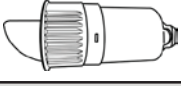


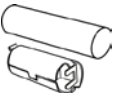
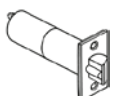

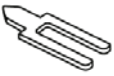


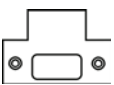



LOCKSETS PRICE LIST

Effective | APR 2025

► **ADDITIONAL PARTS & CHARGES FOR BARRINGTON AND POLYGON SERIES**

Backsets: UL listed 2 3/8", (2 1/4" x 1") faceplate, **NO EXTRA CHARGE** if ordered with lock only. Otherwise \$17.57 List Each.

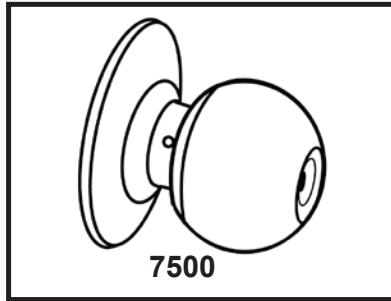
◆◆ STANDARD DISCOUNT ONLY ◆◆				
ILLUSTRATION	ITEM #	DESCRIPTION	FINISH	LIST PRICE
	ULSLD238	BA Series UL-listed Dead Latch 2 3/8" PLG Series UL-listed Dead Latch 2 3/8" 2 1/4" x 1" Faceplate	US3, 26D, 10B, 10BE	\$17.57
	ULSLS238	BA Series UL-listed Spring Latch 2 3/8" PLG Series UL-listed Spring Latch 2 3/8" 2 1/4" x 1" Faceplate		
	SLDRI-1	2 3/4" Entrance, Drive-in Latch bolt for G2 Lockset	ZINC	
	SLDRI-4	2 3/8" Entrance, Drive-in Latch bolt for G2 Lockset		
	SLDRI-2	2 3/4" Privacy / Passage, Drive-in Latch bolt for G2 Lockset		
	SLDRI-5	2 3/8" Privacy / Passage, Drive-in Latch bolt for G2 Lockset		
EXTRA UL LISTED BACKSET				
	ULSLD234	Dead Latch 2 3/4" 2 1/4" x 1 1/8" Faceplate	US3, 26D, 10B, 10BE, 10, 26	17.57
	ULSLS234	Spring Latch 2 3/4" 2 1/4" x 1 1/8" Faceplate		
3 3/4", 5" UL LISTED BACKSET				
	SL5	5" UL listed Extension Link	----	25.38
	SLD334	Barrington & Polygon Series 3 3/4" Dead latch 2 1/4" x 1 1/8" Faceplate	US3, 26D, 10B	
	SLS334	Barrington & Polygon Series 3 3/4" Spring Latch 2 1/4" x 1 1/8" Faceplate		
TAIL PIECE				
	ICTP-03	6-pin Tail Piece for ICBA Series	----	2.49
	ICTP-04	7 Pin Tail Piece for ICBA Series		
	ICTP-08	Tail Piece for ICTBA Only		
STRIKES				
	TS	T-Strike	US3, 26D, 10B, 10, 15, 26, 4	3.18
	FLS	Full Lip Strike		





COLUMBUS Series List Price

ANSI A156.2 GRADE 3 CYLINDRICAL LOCKSET, ORBIT STYLE



LIFETIME WARRANTY

QUANTITY DISCOUNT
50 UNITS MIXED ►► LESS 5%
100 UNITS MIXED ►► LESS 10%

STOCK ITEM PRICES IN BOLD
NON-STOCK FINISHES AND DESIGNS AVAILABLE WITH FACTORY LEAD TIME AND SUBJECT TO MINIMUM ORDER.

FUNCTION	ANSI	ITEM #	US32D	US3, 5	US10BE	US4, 10, 15, 15A	PCS / MC	
Entrance KA / 4	F109	7500	\$35.16	\$37.14	\$37.14	\$37.14	20	
		*C7500	26.93	---	---	---		
Classroom	F84	7503	37.49	39.48	39.48	39.48		
Storeroom	F86	7505	35.16	37.14	37.14	37.14		
Privacy	F76	7520	26.58	28.50	28.50	28.50		
		*C7520	22.33	---	---	---		
Passage	F75	7530	25.38	27.36	27.36	27.36		
Single Dummy	----	7540	13.76	15.66	15.66	15.66		40

*C7500 and C7520 Made in China only available in US32D.

► **PACKAGING INCLUDES**

- Adjustable 2 3/8" to 2 3/4" backset square corner. Preset 2 3/8" ➢ Standard "C", 6-pin cylinder ➢ T-strike

► **KEYWAYS**

6-pin solid brass "C" keyway standard. Optional: Schlage E, Schlage C-K, Russwin D1-2-3-4, Corbin 59 / 60, Corbin-Russwin L4, Sargent LA-LB-LC, Falcon / Weiser E, Arrow A, Yale 8, Yale GA and Kwikset.

Can also accept Medeco, Assa, Kaba and **Cal-Royal HSK** High Security Cylinders. See **page L129** for keying charges and Cylinder PART #.

► **ADDITIONAL PARTS & CHARGES**

◆◆◆ STANDARD DISCOUNT ONLY ◆◆◆				
ILLUSTRATION	ITEM #	DESCRIPTION	FINISH	LIST PRICE
<p>FLS ASAST</p>	FLS	Full Lip Strike	US3, 26D, 10B, 10, 15, 26, 4, 5, 15A	\$3.18
	ASAST	ASA ANSI Strike	US3, 26D, 26	3.23
			US10, 10B, 10BE, 4, 5	4.84
<p>EXASA-175</p>	EXASA-175	Extended Lip ANSI Strike 1 3/4" Lip Extension from Screw Center Line	US32D, DURO	29.09
<p>7500ADJ 7520ADJ</p>	7500ADJ	7500 Series Entrance Dead latch Adjustable 2 3/8" or 2 3/4" Backset 2 1/4" x 1" Faceplate	US3, 26D, 10B	16.59
	7520ADJ	7500 Series Privacy Spring latch Adjustable 2 3/8" or 2 3/4" Backset 2 1/4" x 1" Faceplate		





HIL Series List Price

INTERCONNECTED LEVERSET

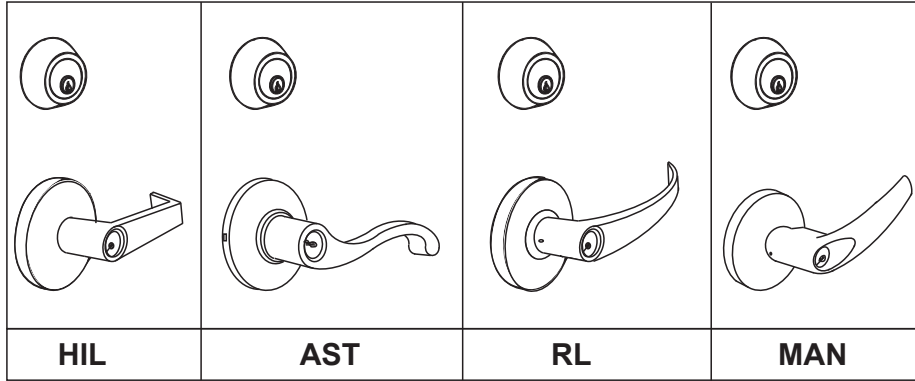
ANSI - A156.12 SERIES 5000, GRADE 2, UL LISTED



LIFETIME WARRANTY

Optional Interchangeable Core for Best, Falcon and Arrow With Interconnecting Mechanism, Can be used with 4" CTC

MEETS
The Buy American Act



QUANTITY DISCOUNT
50 UNITS MIXED ►► LESS 5%
100 UNITS MIXED ►► LESS 10%

STOCK ITEM PRICES IN BOLD
NON-STOCK FINISHES AND DESIGNS AVAILABLE WITH FACTORY LEAD TIME AND SUBJECT TO MINIMUM ORDER.

FUNCTION	ANSI	ITEM #	US26D	US3	US15	US10B, 10BE	US26	US4, 5	PCS / MC
Double Locking, Entrance Lever	F97	HIL00	\$214.61	\$214.61	\$214.61	\$228.29	\$228.29	\$228.29	10
		IC ICHIL00			214.61		228.29		
Double Locking, Storeroom Lever	F98	HIL05		214.61	214.61		228.29		
Single Locking, Passage Lever	F95	HIL30	195.12	195.12	195.12	208.94	208.94	208.94	
		IC ICHIL30					208.94		
Double Locking, Entrance Lever	F97	HILAST00	214.61	214.61	214.61	228.29	228.29	228.29	10
		IC ICHILAST00	214.61	214.61	214.61	228.29			
Single Locking, Passage Lever	F95	HILAST30	195.12	195.12	195.12	208.94	208.94	208.94	
Double Locking, Entrance Lever	F97	HILRL00	214.61	214.61	214.61	228.29	228.29	228.29	10
		IC ICHILRL00	214.61	214.61	214.61	228.29			
Single Locking, Passage Lever	F95	HILRL30	195.12	195.12	195.12	208.94	208.94	208.94	
		IC ICHILRL30							
Double Locking, Entrance Lever	F97	HILMAN00	214.61	214.61	214.61	228.29	228.29	228.29	10
		IC ICHILMAN00							
Single Locking, Passage Lever	F95	HILMAN30	195.12	195.12	195.12	208.94	208.94	208.94	
		IC ICHILMAN30							

* Specify handing when ordering AST design

- IC** Indicates deadbolt available with Interchangeable Core. Cores are compatible 6 or 7 pin with **Best, Falcon and Arrow**. Prices do not include cores. For IC Core pricing see pages L119 – L120. For Keying charges see page L129.
- IC** Indicates deadbolt and entrance lever available with Interchangeable Core. Cores are compatible 6 or 7 pin with **Best, Falcon and Arrow**. Prices do not include cores. For IC Core pricing see pages L119 – L120. For Keying charges see page L129.





JHIL Series List Price

INTERCONNECTED LEVERSET

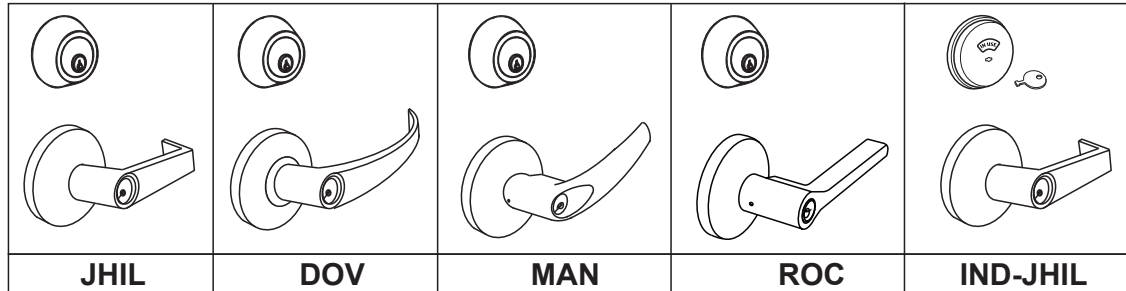
ANSI - A156.12 SERIES 5000, GRADE 2, UL LISTED

- Optional Interchangeable Core for Best, Falcon and Arrow
- Optional Large Format Interchangeable Core for Schlage
- With Interconnecting Mechanism, Can be used with 4" or 5 1/2" CTC



LIFETIME WARRANTY

MEETS
The Buy American Act



QUANTITY DISCOUNT
50 UNITS MIXED
▶▶ LESS 5%
100 UNITS MIXED
▶▶ LESS 10%

STOCK ITEM PRICES IN BOLD
NON-STOCK FINISHES AND DESIGNS AVAILABLE WITH FACTORY LEAD TIME AND SUBJECT TO MINIMUM ORDER.

FUNCTION	ANSI	ITEM #	US26D	US3	US15	US10B, 10BE	US1	US26	PCS / MC	
Double Locking, Entrance Lever	F97	JHIL00	\$214.61	\$214.61	\$214.61	\$228.29	\$228.29	\$228.29	10	
		ICJHIL00	214.61					228.29		
Double Locking, Storeroom Lever	F98	JHIL05	214.61		214.61			228.29		
Single Locking, Passage Lever	F95	JHIL30	195.12	195.12	195.12	208.94	208.94	208.94		
		ICJHIL30				208.94	208.94			
		ICSCJHIL30	227.87	227.87	227.87	241.76	241.76	241.76		
Double Locking, Entrance Lever	F97	JHILROC00	214.61	214.61	214.61	228.29	228.29	228.29		10
		ICJHILROC00								
Single Locking, Passage Lever	F95	JHILROC30	195.12	195.12	195.12	208.94	208.94	208.94		
		ICJHILROC30				208.94	208.94			
		ICSCJHILROC30	227.87	227.87	227.87	241.76	241.76	241.76		
Double Locking, Entrance Lever	F97	JHILDOV00	214.61	214.61	214.61	228.29	228.29	228.29	10	
		ICJHILDOV00								
Single Locking, Passage Lever	F95	JHILDOV30	195.12	195.12	195.12	208.94	208.94	208.94		
		ICJHILDOV30				208.94	208.94			
		ICSCJHILDOV30	227.87	227.87	227.87	241.76	241.76	241.76		
Double Locking, Entrance Lever	F97	JHILMAN00	214.61	214.61	214.61	228.29	228.29	228.29	10	
		ICJHILMAN00								
Single Locking, Passage Lever	F95	JHILMAN30	195.12	195.12	195.12	208.94	208.94	208.94		
		ICJHILMAN30				208.94	208.94			
		ICSCJHILMAN30	227.87	227.87	227.87	241.76	241.76	241.76		
FUNCTION	ANSI	ITEM #	US26D	US3	US15	US10B	US1	US26	PCS / MC	
Indicator Deadbolt, Storeroom Lever	---	**IND-JHIL05	\$214.61	\$214.61	\$214.61	\$228.29	\$228.29	\$228.29	10	
Indicator Deadbolt, Passage Lever	---	**IND-JHIL30	195.12	195.12	195.12	208.94	208.94	208.94		

****IND-JHIL is also available in DOV, MAN, and ROC lever designs. Consult factory for availability.**
To Order: IND-JHIL + design name + function + finish. eg. IND-JHIL05 in "ROC" design in US26D is "IND-JHILROC05 US26D".





CIL Series List Price

CONTEMPORARY INTERCONNECTED LOCKS

ANSI - A156.12 SERIES 5000, GRADE 2, UL LISTED

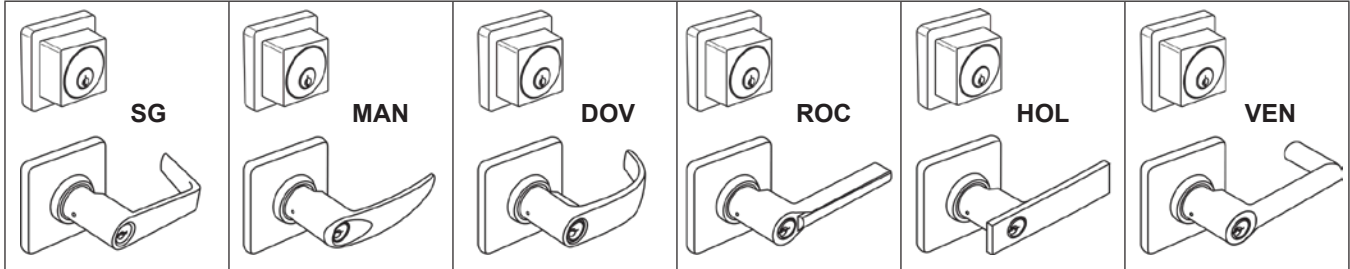
with Interconnecting Mechanism, Can be used with 4" or 5 1/2" CTC

- Available with SFIC on **Deadbolt and Lever** (Entrance)
- Available with SFIC or LFIC on **Deadbolt only** (Lever Passage)



LIFETIME WARRANTY

MEETS
The Buy American Act



STOCK ITEM PRICES IN BOLD
NON-STOCK FINISHES AND DESIGNS AVAILABLE WITH FACTORY LEAD TIME AND SUBJECT TO MINIMUM ORDER.

FUNCTION	ANSI	ITEM #	US26D	US3	US15	US10B	US1	PCS / MC
Double Locking, Entrance Lever	F97	CILSG00	\$266.49	\$266.49	\$266.49	\$293.42	\$293.42	10
		●● ICCILSG00	266.49					
Single Locking, Passage Lever	F95	CILSG30	253.73	253.73	253.73	279.25	279.25	
		●● ICCILSG30						
		● ICSCCILSG30	279.25	279.25	279.25	307.60	307.60	
Double Locking, Entrance Lever	F97	CILMAN00	266.49	266.49	266.49	293.42	293.42	
		●● ICCILMAN00	266.49					
Single Locking, Passage Lever	F95	CILMAN30	253.73	253.73	253.73	279.25	279.25	
		●● ICCILMAN30						253.73
		● ICSCCILMAN30	279.25	279.25	279.25	307.60	307.60	
Double Locking, Entrance Lever	F97	CILDOV00	266.49	266.49	266.49	293.42	293.42	10
		●● ICCILDOV00	266.49					
Single Locking, Passage Lever	F95	CILDOV30	253.73	253.73	253.73	279.25	279.25	
		●● ICCILDOV30						
		● ICSCCILDOV30	279.25	279.25	279.25	307.60	307.60	
Double Locking, Entrance Lever	F97	CILROC00	266.49	266.49	266.49	293.42	293.42	
		●● ICCILROC00	266.49					
Single Locking, Passage Lever	F95	CILROC30	253.73	253.73	253.73	279.25	279.25	
		●● ICCILROC30						253.73
		● ICSCCILROC30	279.25	279.25	279.25	307.60	307.60	
Double Locking, Entrance Lever	F97	CILHOL00	266.49	266.49	266.49	293.42	293.42	10
		CILHOL30	253.73					
●● ICCILHOL30	253.73							
Single Locking, Passage Lever	F95	CILHOL30	253.73	253.73	253.73	279.25	279.25	
		●● ICCILHOL30						
		● ICSCCILHOL30	279.25	279.25	279.25	307.60	307.60	
Double Locking, Entrance Lever	F97	CILVEN00	266.49	266.49	266.49	293.42	293.42	10
		CILVEN30	253.73					
●● ICCILVEN30	253.73							
Single Locking, Passage Lever	F95	CILVEN30	253.73	253.73	253.73	279.25	279.25	
		●● ICCILVEN30						
		● ICSCCILVEN30	279.25	279.25	279.25	307.60	307.60	





LOCKSETS PRICE LIST

Effective | APR 2025

► **PACKAGING INCLUDES**

- UL Listed 2 3/4" backset, 2 1/4" x 1 1/8" faceplate for **HIL Series**
- UL Listed 2 3/4" backset, 2 1/4" x 1" faceplate with plastic filler for **JHIL and CIL Series**
- UL Listed Adjustable 2 3/8" or 2 3/4" deadbolt, 2 1/4" x 1 1/8" faceplate for **HIL Series**
- UL Listed Adjustable 2 3/8" or 2 3/4" deadbolt, 2 1/4" x 1" faceplate with plastic filler for **JHIL and CIL Series**
- Standard "C", 6-pin cylinder
- T-Strike, Square Strike 2 3/4" x 1 1/8" for deadbolt

► **IC CORES, KEYING CHARGES**

For IC Core pricing see pages L119 – L120.
For Keying charges see page L129.

► **KEYWAYS**

6-pin solid brass "C" keyway standard. Optional: Schlage E, Schlage C-K, Russwin D1-2-3-4, Corbin 59 / 60, Corbin-Russwin L4, Sargent LA-LB-LC, Falcon / Weiser E, Arrow A, Yale 8, Yale GA and Kwikset. Can also accept Medeco, Assa, Kaba and **Cal-Royal HSK** High Security Cylinders. See page L129 for keying charges and Cylinder PART #.

QUANTITY DISCOUNT

50 UNITS MIXED ►► LESS 5%

100 UNITS MIXED ►► LESS 10%

► **ADDITIONAL PARTS & CHARGES FOR HIL, JHIL AND CIL SERIES**

Backset: UL Listed 2 3/8" with 2 1/4" x 1 1/8" Faceplate, **NO EXTRA CHARGE** if ordered with lock only. If ordered separately **ADD \$18.78 List Each.**

◆◆ STANDARD DISCOUNT ONLY ◆◆				
ILLUSTRATION	ITEM #	DESCRIPTION	FINISH	LIST PRICE
	HILESC1	Escutcheon Plate for Exterior Trim for HIL and JHIL Series ONLY. (JHIL used with 4" CTC Only) <i>*Not available on CIL Series</i>	US3, 26D, 15, 10B	\$17.44
	UL-HIL238	2 3/8" dead latch for lever lock, 2 1/4" x 1" faceplate for entrance function only	US3, 26D, 10B, 10BE	17.57
	UL-HIL234	2 3/4" dead latch for lever lock, 2 1/4" x 1 1/8" faceplate for entrance function only	US3, 26D, 10B	
	ULJHIL234	2 3/4" dead latch for lever lock, 2 1/4" x 1" faceplate for entrance function only		
	UL-SHIL238	2 3/8" UL-Listed Spring Latch, 2 1/4" x 1" faceplate for passage function only	US3, 26D, 10B, 10BE	18.78
	UL-SHIL234	2 3/4" UL-listed Spring Latch, 2 1/4" x 1 1/8" faceplate for passage function only		
	ULSJHIL234	2 3/4" UL-listed Spring Latch, 2 1/4" x 1" faceplate for passage function only	US3, 26D, 10B	
	ULJHILADJ	UL-Listed Adjustable 2 3/8" or 2 3/4" Deadbolt Latch with plastic filler	US3, 26D, 10B	
STRIKES				
	FLS	Full Lip Strike	US3, 26D, 10B, 15, 4, 5, 26	3.18
	ASAST	ASA Strike	US3, 26, 26D	3.23
			US10, 10B, 10BE, 1	4.84
	EXASA-175	Extended Lip ANSI Strike 1 3/4" Lip Extension from Screw Center Line	US32D, DURO	29.09



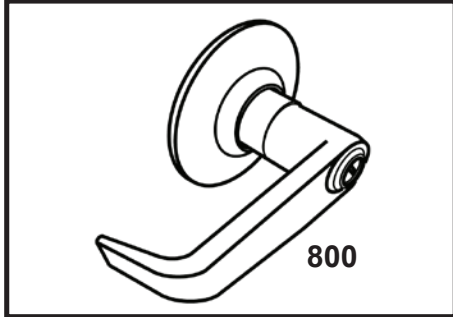


EPIC Series List Price

LIGHT DUTY CYLINDRICAL LEVERSETS

MEETS ANSI STANDARD A156.2, GRADE 3

2-YEAR WARRANTY



STOCK ITEM PRICES IN BOLD
 NON-STOCK FINISHES AND DESIGNS
 AVAILABLE WITH FACTORY LEAD TIME
 AND SUBJECT TO MINIMUM ORDER.

COMMERCIAL PACKAGING					
ENTRANCE leversets, Schlage "C" 5 pin keyway, KD packed with ASA Strike , 2 3/4" backset (1 1/8" x 2 1/4" square corner).					
ITEM #	ANSI	FUNCTION	FINISH	LIST PRICE	PCS / MC
800	F109	Entrance Cylindrical Lock with 4 7/8" ASA Commercial Strike, 5 pin Schlage "C" cylinder, KD	US26D, 3	\$48.48	20
800			US4	53.17	
800			US10B	59.40	
PRIVACY AND PASSAGE leversets, Schlage "C" 5 pin keyway, KD packed with T-Strike , 2 3/4" backset (1 1/8" x 2 1/4" square corner).					
*802	F76	Privacy	US26D	43.81	20
803	F75	Passage	US26D	42.24	
*802	F76	Privacy	US10B	54.72	
803	F75	Passage	US10B	53.17	
*802	F76	Privacy	US4	48.48	
*802	F76	Bathroom (split finish)	US4 / US26D	48.48	
803	F75	Passage	US4	46.92	
805	----	Dummy	US26D, 3, 5, 26, 10B, 4	20.34	36
RESIDENTIAL PACKAGING					
PRIVACY AND PASSAGE leversets packed with Full Lip Strike round corner, 2 3/8" backset (1" x 2 1/4" round corner).					
ITEM #	ANSI	FUNCTION	FINISH	LIST PRICE	PCS / MC
*RES802	F76	Privacy	US26D	\$43.81	20
RES803	F75	Passage	US26D	42.24	
*802	F76	Privacy	US3, 26	43.81	
803	F75	Passage	US3, 26	42.24	
*802	F76	Privacy	US5	54.15	
803	F75	Passage	US5	46.78	
805	----	Dummy	US26D, 3, 5, 26, 10B, 4	20.34	36

*Turning inside lever or closing door releases button

**Other strikes and backsets available upon request subject to minimum quantity and lead time.





LOCKSETS PRICE LIST

Effective | APR 2025

► **KEYWAYS**

5-pin solid brass "C" keyway standard.

► **ADDITIONAL PARTS & CHARGES FOR EPIC SERIES**

Backset: 2 3/8" with 2 1/4" x 1 1/8" Faceplate, **NO EXTRA CHARGE** if ordered with lock only.
If ordered separately **ADD \$17.57 List Each.**

◆◆◆ STANDARD DISCOUNT ONLY ◆◆◆				
ILLUSTRATION	ITEM #	DESCRIPTION	FINISH	LIST PRICE
	8PAS238	Round Corner 2 3/8" Passage Spring Latch	US3, 26D, 10B	\$17.57
	8PRI238	Round Corner 2 3/8" Privacy Spring Latch	US3, 26D, 10B	
	ULSLS234	Round Corner 2 3/4" Spring Latch	US3, 26D, 10B	
	ULSLD234	Square Corner 2 3/4" x 1 1/8" Dead latch	US3, 26D, 10B	
	EPD238 / ULSLD238	Square Corner 2 3/8" x 1" Dead latch	US3, 26D, 10B	
STRIKES				
	TS	T-Strike	US3, 26D, 10B, 26, 4	3.18
	FLS	Full Lip Strike		
	ASAST	ASA Strike	US3, 26D, 26	3.23
			US10B, 10	4.84
	EXASA-175	Extended Lip ANSI Strike 1 3/4" Lip Extension from Screw Center Line	US32D, DURO	29.09

KEYING CHARGES			◆◆◆ STANDARD DISCOUNT ONLY ◆◆◆		
ITEM #	DESCRIPTION	LIST PRICE			
KARES	Key alike	\$3.47			
MKRES	Master key (Including KA charges)	4.40			
CMKRES	Builder construction master key (Including KA & MK Charges)	6.10			
GMKRES	Grand master key (Including KA, MK)	7.88			



ATSI Technical Services, Inc.
6174 State Route 88, Finleyville, PA 15332



CRB800 Series List Price

HEAVY DUTY DEADBOLTS, ANSI STANDARD- A156.36, GRADE 1

- Optional Interchangeable Core for **Best, Falcon and Arrow**
- Optional Interchangeable Core for **Schlage Full Size** format

	LIFETIME WARRANTY	BHMA™ CERTIFIED Be Safe. Be Secure. Look for the Mark.	MEETS <i>The Buy American Act</i>
--	--------------------------	--	---

CRB800	● ICCRB800 ● ICSCCRB800	CRB700	● ICCRB700	CRB600	● ICCRB600 ● ICSCCRB600

STOCK ITEM PRICES IN BOLD
 NON-STOCK FINISHES AND DESIGNS AVAILABLE WITH FACTORY LEAD TIME
 AND SUBJECT TO MINIMUM ORDER.

FUNCTION	ANSI	ITEM #	US26D	US3, 15	US10B	US4, 5, 26	PCS / MC
Grade 1, UL Listed Single Cylinder Deadbolt, "C" Keyway	E0151	CRB800	\$104.76	\$104.76	\$107.88	\$107.88	20
		● ICSCCRB800	119.42	119.42	119.42	119.42	
Grade 1, UL Listed Double Cylinder Deadbolt, "C" Keyway	E0141	CRB700	131.33	131.33	134.45	134.45	
		● ICCRB700	131.33	131.33	134.45	134.45	
Classroom Deadbolt lock Deadbolt thrown or retracted by key outside. Inside turn unit will retract bolt only. Bolt automatically deadlocks when fully thrown.	E0171	CRB600	107.88	107.88	110.99	110.99	
		● ICSCCRB600	122.40	122.40	122.40	122.40	

- (IC) Indicates deadbolt available with Interchangeable Core. Cores are compatible 6 or 7 pin with **Best, Falcon and Arrow**.
- (ICSC) Indicates deadbolt available with Large Format Interchangeable Core for Schlage. **Prices do not include cores.**
For IC Core pricing see pages **L119 – L120**. For Keying charges see page **L129**.





► **PACKAGING INCLUDES**

- Standard "C" 6-pin cylinder
- Standard UL Listed 2 3/4" backset, optional 2 3/8" backset available. Please specify.
- Latch: Backset latch size 1 1/8" x 2 1/4" faceplate.
- Strike: 1 1/8" x 2 3/4", packed with 3" screws with wood frame reinforcer.

► **KEYWAYS**

6-pin solid brass "C" keyway standard. Optional: Schlage E, Schlage C-K, Russwin D1-2-3-4, Corbin 59 / 60, Corbin-Russwin L4, Corbin-Russwin L4, Sargent LA-LB-LC, Falcon / Weiser E, Arrow A, Yale 8, Yale GA and Kwikset. Can also accept Medeco, Assa, Kaba and **Cal-Royal HSK** High Security Cylinders. See **page L129** for keying charges and Cylinder PART #.

► **ANTI MICROBIAL COATING**

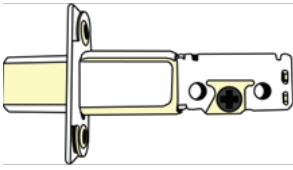
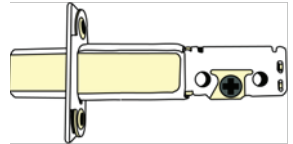
- Available on US26D and US32D finishes.
- **Add \$87.55 to List Price.**
- Specify "ANTB" when ordering.

88 ► **IC CORES, KEYING CHARGES**

For IC Core pricing see pages L119 – L120. For Keying charges see page L129.

► **ADDITIONAL PARTS & CHARGES FOR CRB SERIES**

Backsets: 2 3/8", NO EXTRA CHARGE if ordered with lock only. Otherwise **\$18.78 List Each.**

◆◆ STANDARD DISCOUNT ONLY ◆◆				
ILLUSTRATION	ITEM #	DESCRIPTION	FINISH	LIST PRICE
	B800-238	2 3/8" backset (2 1/4" x 1") faceplate	US3, US26D, US10B	\$18.78
	B800-234	2 3/4" backset (2 1/4" x 1 1/8") faceplate		

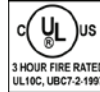




LOCKSETS PRICE LIST

Effective | APR 2025

T300 Series List Price COMMERCIAL / RESIDENTIAL HEAVY DUTY DEADBOLTS ANSI STANDARD A156.36, GRADE 2



LIFETIME WARRANTY

MEETS
The Buy American Act



- Optional Interchangeable Core for **Best, Falcon and Arrow**
- Optional Interchangeable Core for **Schlage Full Size Large Format**
- Optional Conversion Kit for up to 2 1/4" Thick Doors

UL360 / CL600	ULT362	ULT700	ULID363	ULID365

STOCK ITEM PRICES IN BOLD
NON-STOCK FINISHES AND DESIGNS AVAILABLE WITH FACTORY LEAD TIME AND SUBJECT TO MINIMUM ORDER

FUNCTION	ANSI	ITEM #	US26D	US32D	US3	US10B, 10BE	US1	US4	US15	US26, US10	US5	PCS / MC
UL Listed, Heavy Duty Single Cylinder Deadbolt	E0152	ULT360	\$67.83	\$67.83	\$67.83	\$72.86	\$72.86	\$81.87	\$69.46	\$67.83	\$70.74	20
		● ICULT360	70.25	70.25	70.25	75.20	75.20	72.08	71.88	70.25	73.08	
		● SCICULT360	70.25	70.25	70.25	75.20	75.20	72.08	71.88	70.25	73.08	
UL Listed, Heavy Duty Double Cylinder Deadbolt	E0142	ULT362	91.64	91.64	91.64	104.55	104.55	93.49	93.21	89.45	94.62	
		● ICULT362	96.26	96.26	96.26	99.72	99.72	98.09	97.88	94.19	99.23	
UL Listed, Classroom Deadbolt Lock <i>Fixed 2 3/4" backset latchbolt. 2 3/8" backset available upon request. Part # ULJHILADJ</i>	E0172	CL600	88.31	88.31	88.31	91.92	91.92	88.31	88.31	88.31	88.31	
		● ICCL600	92.99	92.99	92.99	98.44	98.44	92.99	92.99	92.99	92.99	
UL Listed, One Sided Deadbolt (No Outside Trim)	----	ULID363	37.64	37.64	37.64	41.32	41.32	41.32	41.32	41.32	41.32	
UL Listed, One Sided Deadbolt with External Plate	----	ULID365	42.03	42.03	42.03	46.50	46.50	46.50	46.50	46.50	46.50	
UL Listed, One-Way Deadbolt with Internal Plate	E1161	ULT700	64.14	64.14	64.14	70.59	70.59	70.59	70.59	70.59	70.59	
		● ICULT700	64.14	64.14	64.14	70.59	70.59	70.59	70.59	70.59	70.59	

- (IC) Indicates deadbolt available with Interchangeable Core. Cores are compatible 6 or 7 pin with **Best, Falcon and Arrow**.
- (SCIC) Indicates deadbolt available with **Schlage Full Size Large Format** Interchangeable Core. Prices do not include cores. For IC Core pricing see pages L119 – L120. For Keying charges see page L129.



ATSI Technical Services, Inc.
6174 State Route 88, Finleyville, PA 15332

• Office: 724-969-2595
• Cell/Text: 703-283-6192 • Fax: 413-677-7814
• Email: Sales@assatechnicalservicesinc.com



► **PACKAGING INCLUDES**

- Standard "C" 6-pin cylinder
- Standard : Adjustable UL Listed 3 Hour Fire Rating 2 3/8" or 2 3/4" latchbolt.
- Latch: Backset latch size 1" x 2 1/4" faceplate, packed with latch front adapter to convert 1" face plate for 1 1/8" wide door preparations
- Strike: 1 1/8" x 2 3/4", packed with 3" screws with wood frame reinforcer.

► **KEYWAYS**

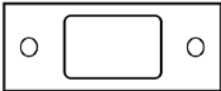
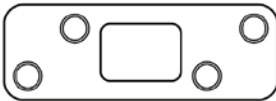


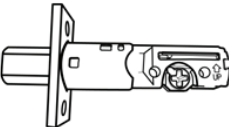
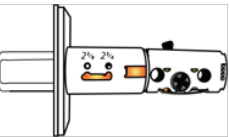
6-pin solid brass "C" keyway standard. Optional: Schlage E, Schlage C-K, Russwin D1-2-3-4, Arrow A, Corbin 59 / 60, Corbin-Russwin L4, Sargent LA-LB-LC, Falcon / Weiser E, Yale 8, Yale GA and Kwikset. Can also accept Medeco, Assa, Kaba and **Cal-Royal HSK** High Security Cylinders. See **page L129** for keying charges and Cylinder PART #.

8 ► **IC CORES, KEYING CHARGES**

For IC Core pricing see pages **L119 – L120**. For Keying charges see page **L129**.

► **ADDITIONAL PARTS & CHARGES FOR T300 SERIES**

Backsets: 2 3/8", **NO EXTRA CHARGE** if ordered with lock only. Otherwise **\$18.78 List Each**.

◆◆ STANDARD DISCOUNT ONLY ◆◆				
ILLUSTRATION	ITEM #	DESCRIPTION	FINISH	LIST PRICE
	T2STRK	Deadbolt strike 1 1/8" x 2 3/4"	US10B, 15, 26D, 3	\$2.98
	SS114358	Deadbolt Security Strike 1 1/4" x 3 5/8", 1/4" Radius.	US10B, 15, 26D, 3, 5	4.30
	CONVT360	Conversion Kit for 2 1/4" thick doors with tail piece and screws for ULT360 Single Cylinder Deadbolt	US10B, 26D, 3	8.79
	CONVT362	Conversion Kit for 2 1/4" thick doors with tail piece and screws for ULT362 Double Cylinder Deadbolt		
	ULT360ADJ	2 3/8" - 2 3/4" Adjustable Latch bolt for ULT360 and ULT362	US10B, 26D, 3	18.78
	ULJHILADJ	Adjustable Deadbolt Latch 2 3/8" or 2 3/4" for CL600 Classroom Deadbolt	US10B, 15, 26D, 3	18.78





SQ300 Series List Price

COMMERCIAL / RESIDENTIAL CONTEMPORARY SQUARE HEAVY DUTY DEADBOLTS ANSI STANDARD A156.36, GRADE 2



LIFETIME WARRANTY

MEETS
The Buy American Act

- Optional Interchangeable Core for **Best, Falcon and Arrow**
- Optional Interchangeable Core for **Schlage Full Size Large Format**

SQ-220 / SQ-600	SQ-330	SQ-700	SQ-363	SQ-365

STOCK ITEM PRICES IN BOLD
NON-STOCK FINISHES AND DESIGNS AVAILABLE WITH FACTORY LEAD TIME AND SUBJECT TO MINIMUM ORDER

FUNCTION	ANSI	ITEM #	US26D	US10B	US4	US15	US1	PCS / MC
Heavy Duty Single Cylinder Deadbolt, UL Listed	E0152	SQ-220	\$82.22	\$90.44	\$90.44	\$86.47	\$90.44	20
		Ⓜ ICSQ-220	82.22	90.44	90.44	86.47	90.44	
		Ⓜ ICSCSQ-220						
Heavy Duty Double Cylinder Deadbolt, UL Listed	E0142	SQ-330	109.15	119.07		114.82		
		Ⓜ ICSQ-330	109.15	119.07	119.07	114.82	119.07	
		Ⓜ ICSCSQ-330						
Classroom Deadbolt Lock. UL Listed. Deadbolt thrown or retracted by key outside. Inside turn unit will retract bolt only. Bolt automatically deadlocks when fully thrown.	E0172	SQ-600						
		Ⓜ ICSQ-600	90.44	99.51	99.51	95.12	99.51	
		Ⓜ ICSCSQ-600						
UL Listed One Sided Latch Bolt retracted by thumb turn, no outside trim. Visible from one side of door only.	----	SQ-363	48.20	52.45	52.45	50.61	52.45	
UL Listed One Sided Latch Bolt retracted by thumb turn unit. Blank plate on external trim to be used on bore holes 1 5/8" and 2 1/8" diameter.	----	SQ-365	63.79	69.46	69.46	66.97	69.46	
UL Listed One-Way Deadbolt Lock Deadbolt thrown or retracted by key outside. Blank plate on internal trim to be used on bore holes 1 5/8" and 2 1/8" diameter. Bolt automatically deadlocks when fully thrown. (Exposed Screws)	E1161	SQ-700						
		Ⓜ ICSQ-700	82.22	90.44	90.44	86.47	90.44	
		Ⓜ ICSCSQ-700						

- Ⓜ (IC) Indicates deadbolt available with Interchangeable Core. Cores are compatible 6 or 7 pin with **Best, Falcon and Arrow**.
- Ⓜ (ICSC) Indicates deadbolt available with **Schlage Full Size Large Format** Interchangeable Core. **Prices do not include cores.**
For IC Core pricing see pages L119 – L120. For Keying charges see page L129.





► **PACKAGING INCLUDES**

- Standard "C" 6-pin cylinder
- Standard : Adjustable UL Listed 3 Hour Fire Rating 2 3/8" or 2 3/4" latchbolt.
- Latch: Backset latch size 1" x 2 1/4" faceplate, packed with latch front adapter to convert 1" face plate for 1 1/8" wide door preparations
- Strike: 1 1/8" x 2 3/4", packed with 3" screws with wood frame reinforcer.


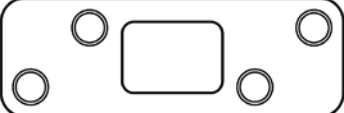
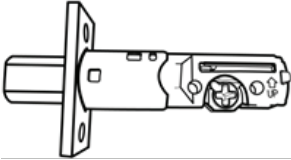
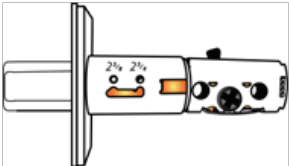
► **KEYWAYS**

6-pin solid brass "C" keyway standard. Optional: Schlage E, Schlage C-K, Russwin D1-2-3-4, Arrow A, Corbin 59 / 60, Corbin-Russwin L4, Sargent LA-LB-LC, Falcon / Weiser E, Yale 8, Yale GA and Kwikset. Can also accept Medeco, Assa, Kaba and **Cal-Royal HSK** High Security Cylinders. See **page L129** for keying charges and Cylinder PART #.

8 ► **IC CORES, KEYING CHARGES**

For IC Core pricing see pages **L119 – L120**. For Keying charges see page **L129**.

► **ADDITIONAL PARTS & CHARGES FOR SQ300 SERIES**

◆◆◆ STANDARD DISCOUNT ONLY ◆◆◆				
ILLUSTRATION	ITEM #	DESCRIPTION	FINISH	LIST PRICE
	T2STRK	Deadbolt strike 1 1/8" x 2 3/4"	US10B, 15, 26D, 3	\$2.98
	SS114358	Deadbolt Security Strike 1 1/4" x 3 5/8", 1/4" Rad.	US10B, 15, 26D, 3, 5	4.30
	ULT360ADJ	2 3/8" - 2 3/4" UL Listed Adjustable Deadbolt Latch	US10B, 26D, 3	18.78
	ULJHILADJ		US10B, 15, 26D, 3	





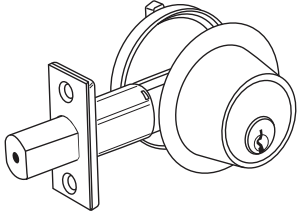

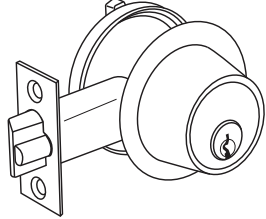
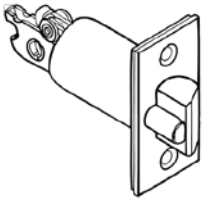
CB160 Series List Price

**STANDARD DUTY DEADBOLTS,
ANSI STANDARD - A156.36, GRADE 2**

COMMERCIAL / RESIDENTIAL GR 2 DEADBOLTS / DEAD LATCHES

Grade 2 Specifications, Equivalent to Schlage B160 - Series Deadbolts

**LIFETIME
WARRANTY**

			
CB160 (Single Cylinder Deadbolt) / CB162 (Double Cylinder Deadbolt)	ADP160	GL160 (Single Cylinder Gate Latch) / GL162 (Double Cylinder Gate Latch)	GL238 (2 3/8") GL234 (2 3/4")

STOCK ITEM PRICES IN BOLD
**NON-STOCK FINISHES AND DESIGNS AVAILABLE WITH FACTORY LEAD TIME
AND SUBJECT TO MINIMUM ORDER**

DESCRIPTION	ANSI	ITEM #	US3, 26D	US10B, 4, 5, 15	US26	US1	PCS / MC
Standard Duty Single Cylinder Deadbolt	E0152	CB160	\$49.84	\$52.76	\$52.76	\$52.76	36
Standard Duty Double Cylinder Deadbolt	E0142	CB162	64.52	67.44	---	67.44	
Single Cylinder Gate Latch	E0152	GL160 (2 3/8" backset)	99.66	102.59	102.59	---	
Double Cylinder Gate Latch	E0142	GL162 (2 3/8" backset)	114.29	117.21	---	---	
Single Cylinder GateLatch	E0152	GL160 / 234 (2 3/4" backset)	99.66	102.59	102.59	---	
Double Cylinder Gate Latch	E0142	GL162234 (2 3/4" backset)	114.29	117.21	---	---	

► **PACKAGING INCLUDES**

- 2 5/8" Diameter Adapter Ring for 2 1/8" Door Preparations
- Standard "C" 6-pin cylinder
- Adjustable 2 3/4" and 2 3/8" backset
- For gate latches Fixed 2 3/4" and 2 3/8" latch bolt
- Latch: Backset latch size 1" x 2 1/4" faceplate, packed with latch front adapter to convert 1" face plate for 1 1/8" wide door preparations
- Strike: 1 1/8" x 2 3/4"

► **KEYWAYS**

6-pin solid brass "C" keyway standard. Optional: Schlage E, Schlage C-K, Russwin D1-2-3-4, Corbin 59 / 60, Corbin-Russwin L4, Sargent LA-LB-LC, Falcon / Weiser E, Arrow A, Yale 8, Yale GA and Kwikset. Can also accept Medeco, Assa, Kaba and **Cal-Royal HSK** High Security Cylinders. See **page L129** for keying charges and Cylinder PART #.

► **KEYING CHARGES**

Refer to **page L129**.



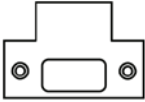


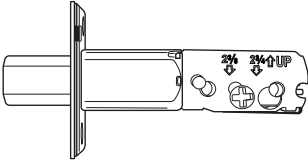
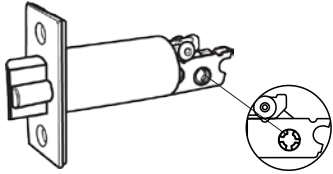
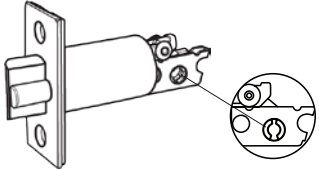




LOCKSETS PRICE LIST

Effective | APR 2025

► ADDITIONAL PARTS & CHARGES FOR CB160 SERIES

Backsets: 2 3/8", NO EXTRA CHARGE if ordered with lock only. Otherwise \$18.78 List Each.

◆◆ STANDARD DISCOUNT ONLY ◆◆					
ILLUSTRATION	ITEM #	DESCRIPTION	FINISH	LIST PRICE	
	TS	T-Strike	US10, 10B, 15, 26, 26D, 3, 4	\$3.18	
	T2STRK	Deadbolt Strike 1 1/8" X 2 3/4"	US10B, 15, 26D, 3	2.98	
	SS114358	Deadbolt Security Strike 1 1/4" x 3 5/8", 1/4" Rad.	US10B, 15, 26D, 3, 5	4.30	
	CB160ADJ	2 3/8" - 2 3/4" Adjustable Latch bolt for CB160	US10B, 26D, 3	18.78	
	GL238	2 3/8" backset gate latch and for double cylinder deadbolt		54.43	
	GL234	2 3/4" backset gate latch and for double cylinder deadbolt			
	SINGL238	2 3/8" backset gate latch and for single cylinder deadbolt			
	SINGL234	2 3/4" backset gate latch and for single cylinder deadbolt			
	ADP160	2 5/8" diameter, Adapter Ring for 2 1/8" door preparations			US10B, 15, 26, 26D, 3, 4, 5
	SMTT-160	2" diameter, Optional Small Thumbturn for 1 1/2" door preparations	US10B, 15, 26, 26D, 3		4.25



ATSI Technical Services, Inc.
6174 State Route 88, Finleyville, PA 15332

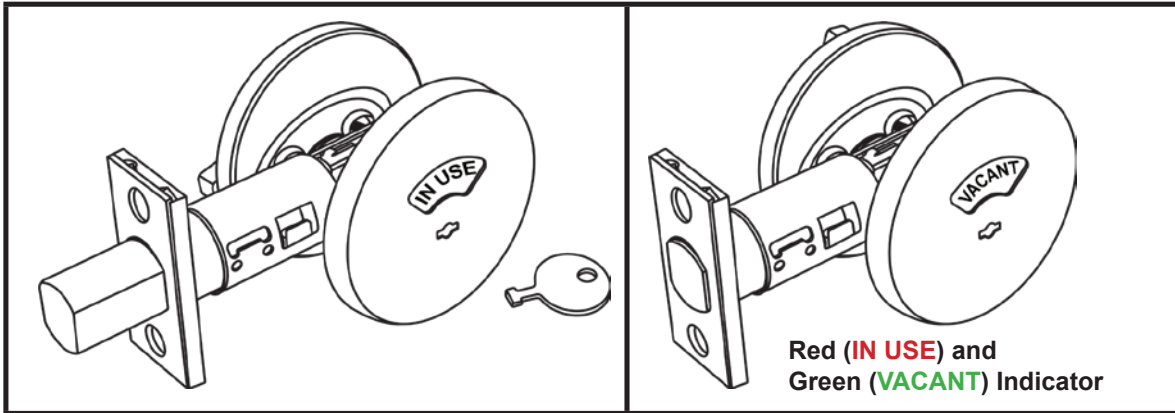


IND90-G2 Indicator Deadbolts

**COMMERCIAL INDICATOR DEADBOLTS,
ANSI A156.36, GRADE 2**



MEETS
The Buy American Act



STOCK ITEM PRICES IN BOLD
NON-STOCK FINISHES AND DESIGNS AVAILABLE WITH FACTORY LEAD TIME AND SUBJECT TO MINIMUM ORDER

ITEM #	DESCRIPTION	US26D, 26, 4, 3	US10B, 1	PCS / MC
IND90-G2	Indicator Deadbolt	\$55.28	\$58.12	20

► **PACKAGING INCLUDES**

- UL Listed Adjustable 2 3/4" and 2 3/8" backset
- 1 1/8" x 2 3/4" Deadbolt Security Strike with 2 pcs. # 10 x 3" wood screws
- 1 1/8" x 2 3/4" square corner strike
- 4 pcs. # 6 x 3/4" combination wood / machine screws
- UL Latch: Backset latch size 1" x 2 1/4" faceplate. Latch front adapter is provided to convert 1" face plate for 1 1/8" wide door preparations.
- Emergency Key included to unlock the deadbolt from the outside.

► **ADDITIONAL PARTS & CHARGES**

◆◆ STANDARD DISCOUNT ONLY ◆◆				
ILLUSTRATION	ITEM #	DESCRIPTION	FINISH	LIST PRICE
	ULJHILADJ	2 3/8" - 2 3/4" UL Listed Adjustable Deadbolt Latch	US3, 26D, 10B	\$18.78
	LFA18	Latch front adapter to convert 1" face plate to 1 1/8" wide door preparations	CLEAR	0.43
	T2STRK	Deadbolt Strike 1 1/8" x 2 3/4"	US3, 10B, 26D	2.98
	DBFLS	Deadbolt Full Lip Strike, Round Corner	US3, 10B, 26	2.27





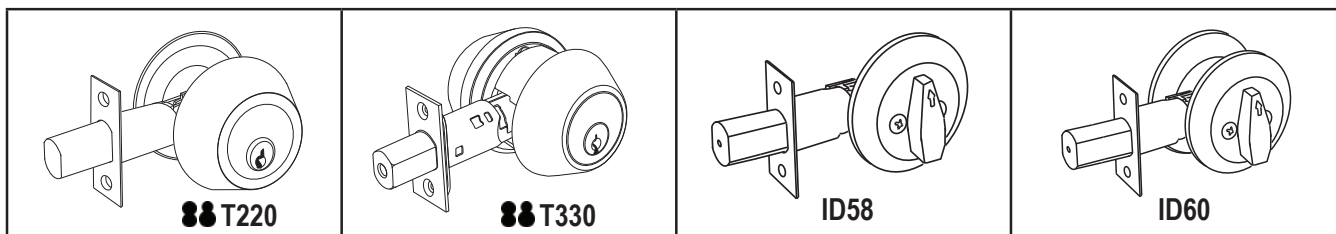
STANDARD DUTY DEADBOLTS Series

ANSI STANDARD- A156.36, GRADE 3

COMMERCIAL / RESIDENTIAL DEADBOLTS / DEAD LATCHES

- Optional Interchangeable Core for **Best, Falcon and Arrow**
- Optional Interchangeable Core for **Schlage Full Size** Format

MEETS
The Buy American Act



STOCK ITEM PRICES IN BOLD
NON-STOCK FINISHES AND DESIGNS AVAILABLE WITH FACTORY LEAD TIME AND SUBJECT TO MINIMUM ORDER

DESCRIPTION	ANSI	ITEM #	US3, 26D	US10B, 10BE, 10	US15	US26	US32D	US5	US4	US1	PCS / MC
Standard Duty Single Cylinder Deadbolt	E0153	T220	\$42.53	\$45.51	\$45.51	\$45.51	\$42.53	\$45.51	\$45.51	\$45.51	20
		• IC T220					42.53			45.51	
Standard Duty Double Cylinder Deadbolt	E0143	T330	56.70	59.68	59.68	59.68	56.70	59.68	59.68	59.68	
		• IC T330					56.70			59.68	

• (IC) Indicates functions available with Interchangeable Core. Cores are compatible 6 or 7 pin with **Best, Falcon and Arrow**. Prices do not include cores. For IC Core pricing see page L119. For Keying charges see page L129.

Standard Duty Single Cylinder Deadbolt with Schlage Big Format IC	E0153	• SCICT220	58.61	62.65	62.65	62.65	58.61	62.65	62.65	---	20
Standard Duty Double Cylinder Deadbolt with Schlage Big Format IC	E0143	• SCICT330	86.19	92.21	92.21	92.21	86.19	92.21	92.21	---	

• (SCIC) Indicates function available with **Schlage Full Size Format Interchangeable Core**. Prices do not include cores. For IC Core pricing see page L120. For Keying charges see page L129.

One Sided Deadbolt, No Outside Trim.	----	ID58	22.12	32.04	32.04	32.04	22.12	32.04	32.04	32.04	50
One Sided Deadbolt, Blank Plate is on External Trim	----	ID60	25.38	34.02	34.02	34.02	25.38	34.02	34.02	34.02	





LOCKSETS PRICE LIST

Effective | APR 2025

► PACKAGING INCLUDES

- Standard "C" 6-pin cylinder.
- Adjustable 2 3/4" and 2 3/8" backset.
- Latch bolt size: 1" x 2 1/4".
- Latch front adapter is supplied in packaging to convert 1" faceplate for 1 1/8" wide door preparations.

► KEYWAYS

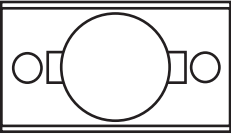
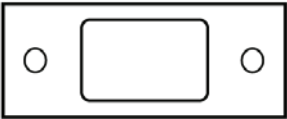
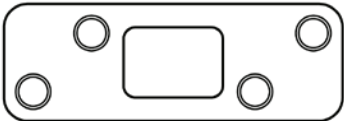
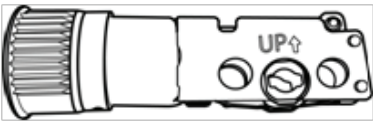
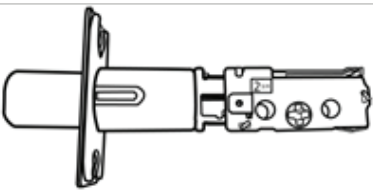
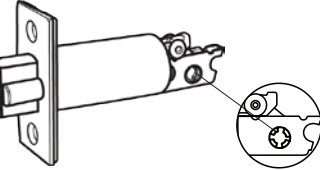
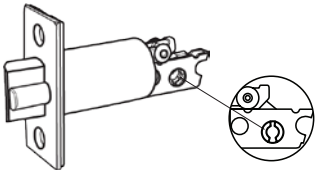
6-pin solid brass "C" keyway standard. Optional: Schlage E, Schlage C-K, Russwin D1-2-3-4, Corbin 59 / 60, Corbin-Russwin L4, Sargent LA-LB-LC, Falcon / Weiser E, Arrow A, Yale 8, Yale GA and Kwikset. Can also accept Medeco, Assa and Kaba High Security Cylinders. See page L129 for keying charges and Cylinder PART #.

► IC CORES, KEYING CHARGES

For IC Core pricing see pages L119 – L120. For Keying charges see page L129.

► ADDITIONAL PARTS & CHARGES FOR STANDARD DUTY DEADBOLTS SERIES

Backsets: 2 3/8", NO EXTRA CHARGE if ordered with lock only. Otherwise \$18.78 List Each.

◆◆ STANDARD DISCOUNT ONLY ◆◆				
ILLUSTRATION	ITEM #	DESCRIPTION	FINISH	LIST PRICE
	LFA18	Latch front adapter to convert 1" Plate to 1 1/8" wide door preparations	CLEAR	\$0.43
	T2STRK	Deadbolt strike 1 1/8" x 2 3/4"	US10B, 15, 26D, 3	2.98
	SS114358	Deadbolt Security Strike 1 1/4" x 3 5/8", 1/4" Rad.	US10B, 15, 26D, 3, 5	4.30
	T22DRI-6	2 3/8" Drive-in Latch bolt for T220 / T330 Deadbolt	ZINC	17.57
	T22DRI-3	2 3/4" Drive-in Latch bolt for T220 / T330 Deadbolt		
	T220ADJ	2 3/8"- 2 3/4" Adjustable Latch bolt for T220 / T330 Deadbolt	US10B, 26D, 3	18.78
	GL238	2 3/8" backset gate latch and for double cylinder deadbolt		54.43
	GL234	2 3/4" backset gate latch and for double cylinder deadbolt		
	SINGL238	2 3/8" backset gate latch and for single cylinder deadbolt		
	SINGL234	2 3/4" backset gate latch and for single cylinder deadbolt		

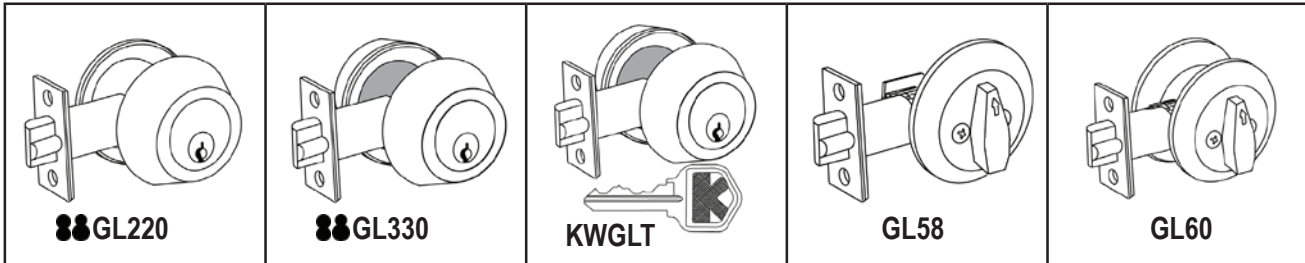


ATSI Technical Services, Inc.
6174 State Route 88, Finleyville, PA 15332



GATE LATCH DEAD LATCHES *Series List Price*

Optional Interchangeable Core for **Best, Falcon and Arrow**



STOCK ITEM PRICES IN BOLD. NON-STOCK FINISHES AND DESIGNS
AVAILABLE WITH FACTORY LEAD TIME AND SUBJECT TO MINIMUM ORDER

DESCRIPTION	ANSI	ITEM #	US3, 26D	US10B, 10BE, 5	US10, 15, 26, 4	PCS / MC
Single Cylinder Gate Latch, "C" Keyway (2 3/8" backset)	E0153	GL220 ICGL220	\$98.37	\$100.15	\$100.15	20
Single Cylinder Gate Latch, "C" Keyway (2 3/4" backset)	E0153	GL220234 ICGL220234	98.37	100.15	100.15	
Single Cylinder Gate Latch, Kwikset Keyway (2 3/8" backset)	E0153	KWGLT220	98.37	100.15	100.15	
Single Cylinder Gate Latch, Kwikset Keyway (2 3/4" backset)	E0153	KWGLT220234	98.37	100.15	100.15	
Double Cylinder Gate Latch, "C" Keyway (2 3/8" backset)	E0143	GL330 ICGL330	112.41	114.19	114.19	
Double Cylinder Gate Latch, "C" Keyway (2 3/4" backset)	E0143	GL330234 ICGL330234	112.41	114.19	114.19	
Double Cylinder Gate Latch, Kwikset Keyway (2 3/8" backset)	E0143	KWGLT330	112.41	114.19	114.19	
Double Cylinder Gate Latch, Kwikset Keyway (2 3/4" backset)	E0143	KWGLT330234	112.41	114.19	114.19	

DESCRIPTION	ITEM #	US3, 26D	US10B, 10, 15, 26, 4	US5	PCS / MC
Gate latch retracted by turn unit only no outside trim. Bore halfway through door for installation visible from one side of door only.	GL58 (2 3/8" backset)	\$77.33	\$86.05	\$86.05	50
Gate latch retracted by turn unit only. Blank plate is on external trim to be used on bore holes 1 5/8" x and 2 1/8" wide.	GL60 (2 3/8" backset)	80.80	89.58	89.58	
Gate latch retracted by turn unit only no outside trim. Bore halfway through door for installation visible from one side of door only.	GL58234 (2 3/4" backset)	77.33	86.05	86.05	
Gate latch retracted by turn unit only. Blank plate is on external trim to be used on bore holes 1 5/8" x and 2 1/8" wide.	GL60234 (2 3/4" backset)	80.80	89.58	89.58	

IC Indicates functions available with Interchangeable Core. Cores are compatible 6 or 7 pin with **Best, Falcon and Arrow**.
Prices do not include cores. For IC Core pricing see page L119. For Keying charges see page L129.





LOCKSETS PRICE LIST

Effective | APR 2025

► **PACKAGING INCLUDES**

- Standard "C" 6-pin cylinder or Kwikset KW
- Standard 2 3/8" backset or 2 3/4". Specify backset.
- Latch bolt size: 1 1/8" x 2 1/4"
- Strike size: 1 1/8" x 2 3/4"

8 ► **IC CORES, KEYING CHARGES**

For IC Core pricing see pages L119 – L120.
For Keying charges see page L129.

► **KEYWAYS**

6-pin solid brass "C" keyway standard.

► **ADDITIONAL PARTS & CHARGES FOR GATE LATCH DEAD LATCHES SERIES**

◆◆ STANDARD DISCOUNT ONLY ◆◆				
ILLUSTRATION	ITEM #	DESCRIPTION	FINISH	LIST PRICE
	GL238	2 3/8" backset gate latch and for double cylinder deadbolt	US3, 10B, 26D	\$54.43
	GL234	2 3/4" backset gate latch and for double cylinder deadbolt		
	SINGL238	2 3/8" backset gate latch and for single cylinder deadbolt		
	SINGL234	2 3/4" backset gate latch and for single cylinder deadbolt		
	TS	T-Strike	US3, 26D, 10B, 26, 4, 10, 15	3.18
	T2STRK	Deadbolt Strike 1 1/8" x 2 3/4"	US3, 10B, 26D, 15	2.98

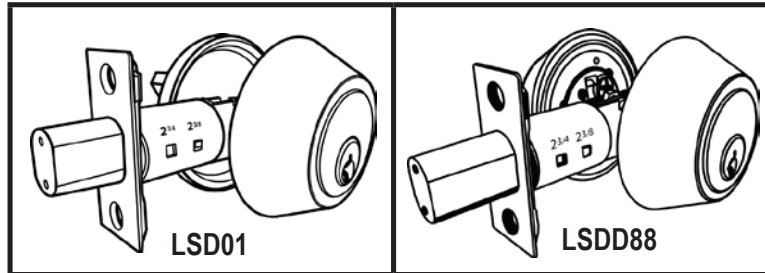




LSD Series List Price

LIGHT COMMERCIAL / RESIDENTIAL

STANDARD DUTY DEADBOLTS, ANSI A156.36, GRADE 3



STOCK ITEM PRICES IN BOLD
 NON-STOCK FINISHES AND DESIGNS AVAILABLE WITH FACTORY LEAD TIME
 AND SUBJECT TO MINIMUM ORDER

DESCRIPTION	ANSI	ITEM #	US3, 26D, US32D	US10B, 5, 15	US32	PCS / MC
Standard Duty Single Cylinder Deadbolt	E0153	LSD01	\$27.55	\$31.37	\$31.37	36
Standard Duty Double Cylinder Deadbolt	E0143	LSDD88	36.80	39.94	39.94	36

► **PACKAGING INCLUDES**

- Standard "C" 6-pin cylinder
- Adjustable 2 3/4" and 2 3/8" backset
- Latch: Backset latch size 1" x 2 1/4" faceplate. Latch front adapter is available to convert 1" face plate for 1 1/8" wide door preparations. See below.
- Strike size: 1 1/8" x 2 3/4"

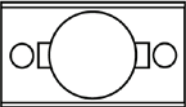

► **KEYWAYS**

6-pin solid brass "C" keyway standard. Optional: Schlage E, Schlage C-K, Russwin D1-2-3-4, Corbin 59 / 60, Corbin-Russwin L4, Sargent LA-LB-LC, Falcon / Weiser E, Arrow A, Yale 8, Yale GA and Kwikset. Can also accept Medeco, Assa, Kaba and **Cal-Royal HSK** High Security Cylinders. See **page L129** for keying charges and Cylinder PART #.

► **KEYING CHARGES**

Refer to page L129

► **ADDITIONAL PARTS**

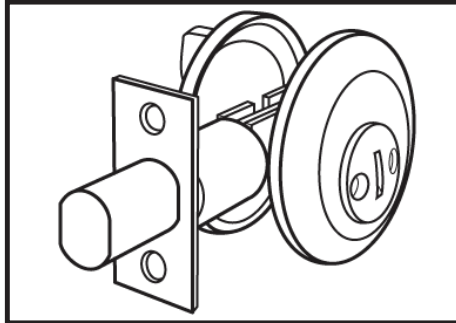
◆◆ STANDARD DISCOUNT ONLY ◆◆				
ILLUSTRATION	ITEM #	DESCRIPTION	FINISH	LIST PRICE
	LFA18	Latch front adapter to convert 1" face plate to 1 1/8" wide door preparations	CLEAR	\$0.43
	T2STRK	Deadbolt strike 1 1/8" x 2 3/4"	US10B, 15, 26D, 3	2.98
	SS114358	Deadbolt Security Strike 1 1/4" x 3 5/8", 1/4" Rad.	US10B, 15, 26D, 3, 5	4.30
	ED500ADJ	ED500 Adjustable Latch bolt, round corner 1" x 2 1/4"	US10B, 26D, 3	8.93





IND84 Indicator Deadbolts Series List Price

COMMERCIAL / RESIDENTIAL INDICATOR DEADBOLTS, ANSI A156.36, GRADE 3

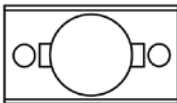
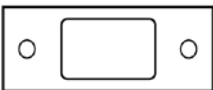
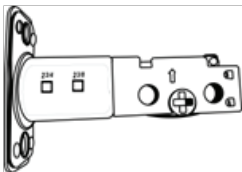


STOCK ITEM PRICES IN BOLD				
NON-STOCK FINISHES AND DESIGNS AVAILABLE WITH FACTORY LEAD TIME AND SUBJECT TO MINIMUM ORDER				
ITEM #	DESCRIPTION	US3, 4, 26D	US10B	PCS / MC
IND84	Indicator Deadbolt	\$48.48	\$52.38	36

► **PACKAGING INCLUDES**

- Adjustable 2 3/4" and 2 3/8" backset
- Latch: Backset latch size 1" x 2 1/4" faceplate. Latch front adapter is provided to convert 1" face plate for 1 1/8" wide door preparations. See below.
- Strike size: 1 1/8" x 2 3/4"

► **ADDITIONAL PARTS & CHARGES**

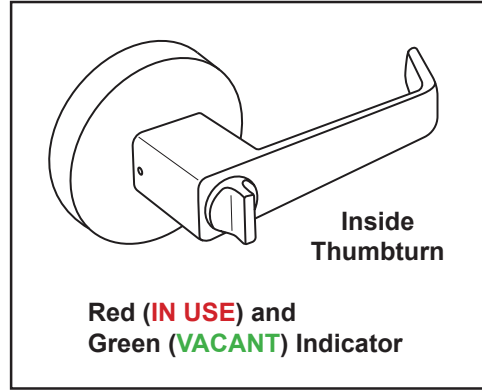
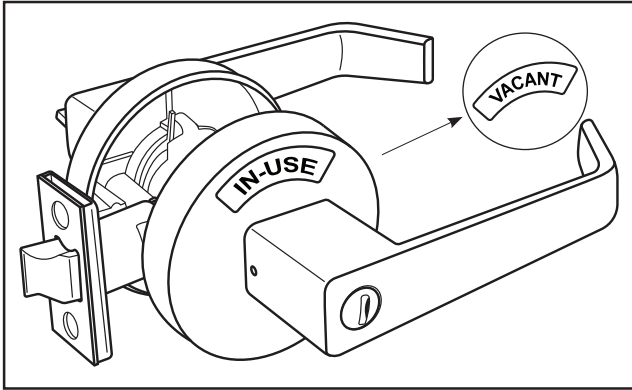
◆◆◆ STANDARD DISCOUNT ONLY ◆◆◆				
ILLUSTRATION	ITEM #	DESCRIPTION	FINISH	LIST PRICE
	LFA18	Latch front adapter to convert 1" face plate to 1 1/8" wide door preparations	CLEAR	\$0.43
	T2STRK	Deadbolt strike 1 1/8" x 2 3/4"	US3, 10B, 26D	2.98
	ED500ADJ	ED500 Adjustable Latch bolt, round corner 1" x 2 1/4"	US3, 10B, 26D	8.93





INDLEV-20 Series List Price

LIGHT COMMERCIAL GRADE PRIVACY INDICATOR LEVERSET



STOCK ITEM PRICES IN BOLD
NON-STOCK FINISHES AND DESIGNS AVAILABLE WITH FACTORY LEAD TIME AND SUBJECT TO MINIMUM ORDER

ITEM #	DESCRIPTION	US26D	US26, 19, 10B, 3	PCS/ MC
INDLEV-20	Privacy Indicator Leverset	\$179.40	\$198.01	20

► **PACKAGING INCLUDES**

- (1) 2 3/4" Backset and (1) 2 3/8" Backset
- 2 1/4" x 1" square corner faceplate packed with 1 1/8" plastic filler to convert 1" faceplate to 1 1/8" wide door preparations
- ASA478 ANSI Strike
- 1" bore diameter for latch, 2 1/8" diameter for lock housing

► **ADDITIONAL PARTS & CHARGES**

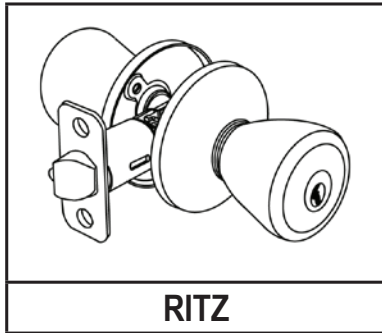
◆◆◆ STANDARD DISCOUNT ONLY ◆◆◆				
ILLUSTRATION	ITEM #	DESCRIPTION	FINISH	LIST PRICE
	IND-234	Privacy 2 3/4" Backset (Fixed) for INDLEV-20 Series	US26D	\$14.18
	IND-238	Privacy 2 3/8" Backset (Fixed) for INDLEV-20 Series	US26D	
	TS	T-Strike	US26D	3.18
	FLS	Full Lip Strike		
	ASAST	ASA Strike	US26D	3.23





ASHLEY Series List Price

RESIDENTIAL TUBULAR LOCKSETS, ANSI STANDARD A156.2, GRADE 3



RITZ

QUANTITY DISCOUNT
300 UNITS MIXED ▶▶ LESS 5%
600 UNITS MIXED ▶▶ LESS 10%

▶ KEYWAYS KW 5-PIN KWIKSET

STOCK ITEM PRICES IN BOLD
NON-STOCK FINISHES AND DESIGNS AVAILABLE WITH FACTORY LEAD TIME
AND SUBJECT TO MINIMUM ORDER

RITZ ----- RIZ SERIES

FUNCTIONS	ANSI	ITEM #	US3	US26D	US5	US15	US4, 15A, 10B	US26	PCS / MC
Entry KA / 3	F109	RIZ00	\$25.45	\$25.45	\$27.91	\$27.91	\$27.91	\$27.91	36
Storeroom KD	F86	RIZ05		25.45	27.91	27.91	27.91	27.91	
Privacy	F76	RIZ20	----	----	----	----	23.27	----	
Bathroom split	F76	RIZ20 / 26	20.79	20.79	23.27	----	20.79	----	
Passage	F75	RIZ30	20.00	----	----	----	22.39	----	
Dummy	----	RIZ40	----	7.91	8.91	8.91	8.91	----	

▶ PACKAGING INCLUDES

- Adjustable steel 2 3/8" and 2 3/4" backset (2 1/4" x 1", 1/4" radius). Drive in latch bolt also available on request. Square corner available on request on special factory order with lead time and subject to minimum quantity.
- All locksets are packed with full lip strike round corner 1/4" radius.
- Square corner available on request.
- Kwikset rekeyable 5-pin cylinder.





LOCKSETS PRICE LIST

Effective | APR 2025

► ADDITIONAL PARTS & CHARGES FOR ASHLEY SERIES

◆◆◆ STANDARD DISCOUNT ONLY ◆◆◆		
ITEM #	DESCRIPTION	LIST PRICE
DRESADJ	Entrance four way adjustable drive-in latch bolt, square corner	\$6.67
SRESADJ	Privacy, passage four way adjustable drive-in latch bolt, square corner	
ASHADJ	Entrance standard adjustable latch bolt, round corner 1" x 2 1/4"	
TS	T-Strike	3.18
FLS	Full lip strike	
ASAST	ANSI ASA strike (US3, 26D, 26)	3.23
	ANSI ASA strike (US10B, 10)	4.84
EXASA-175	Extended Lip ANSI Strike, 1 3/4" Lip Extension from Screw Center Line (US32D, DURO)	29.09
K1-KEY	Blank keys K1	1.00
KEYS	Extra cut keys	2.34
CRT800	Cylinder removal tool	1.20
LFA18	Latch front adapter to convert 1" faceplate to 1 1/8" wide door preparation	0.43
PDBFLS	Plastic Dust box for Full Lip Strike, 1" x 2 1/8", 7/16" Depth	1.98
PDB1214	Plastic Dust box for Residential Deadbolt Strike, 1 5/16" x 2 1/8", 1" Depth	
PDBTS	Plastic Dust box for T-Strike, 1 1/16" x 2 3/4", 1/2" Depth	
PDB118234	Plastic Dust box for Deadbolt T2STRK Strike, 1 1/16" x 2 3/4", 1" Depth	
PDB478	Plastic Dust box for ASA Strike, 1 3/16" x 4 7/8", 15/16" Depth	3.90
KEYING KITS		
KKWI200	Keying Kit - KWI Keyway	168.68
MOUNT		
RESMOUNT	3 hole mount for residential locks	103.48

► KEYING CHARGES

◆◆◆ STANDARD DISCOUNT ONLY ◆◆◆		
ITEM #	DESCRIPTION	LIST PRICE
KARES	Key Alike	\$3.47
MKRES	Master Key (Including KA Charges)	4.40
CMKRES	Builder Construction Master Key (Including KA & MK Charges)	6.10
GMKRES	Grand Master Key (Including KA, MK & CMK Charges)	7.88



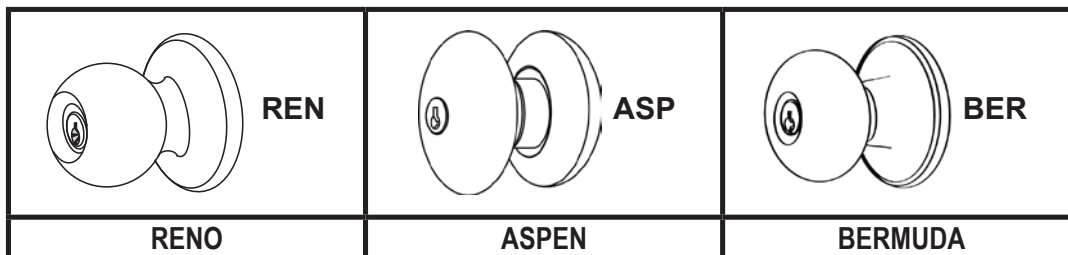


CHELSIE Series List Price

ANSI STANDARD A156.2 RESIDENTIAL TUBULAR LOCKSETS, LEVERS AND HANDLESETS, & ANSI A156.36 DEADBOLTS, GRADE 3



- ▶ **KEYWAYS (STD, "KW" 5-PIN KWIKSET) OPTIONAL 5-PIN SCHLAGE "C" & WEISER**
 - All locksets, handle sets and deadbolts are available with **Schlage "C"** and **Weiser** keyway on special factory order only, with no additional charge. Consult factory.
 - **SCHLAGE "C" KEYWAY OPTION:** For immediate stock shipment add **\$5.25 List** for keyed entrance lock and single cylinder deadbolts. Prefix C before Part # (Ex: REN00 with C keyway is CREN000)
 - **WEISER KEYWAY OPTION:** For keyed knob and leversets add **\$3.33 List**.
For Single Cylinder Deadbolts, add **\$4.97 List** and for Double Cylinder Deadbolts add **\$9.86 List**. Prefix **"W"** before Part # (Ex: REN00 with Weiser keyway is WREN00)



QUANTITY DISCOUNT


300 UNITS MIXED
▶▶ LESS 5%

600 UNITS MIXED
▶▶▶ LESS 10%

STOCK ITEM PRICES IN BOLD
NON-STOCK FINISHES AND DESIGNS AVAILABLE WITH FACTORY LEAD TIME AND SUBJECT TO MINIMUM ORDER


RENO ----- REN DESIGN

FUNCTIONS	ANSI	ITEM #	US15	US10B	US3, 26D, 32D	US5, 15A, 26	PCS / MC
Entry - KA / 3	F109	REN-00	\$25.68	\$30.03	\$25.68	\$28.27	36
Storeroom - KA / 3	F86	REN-05 ^{XXXX}					
Privacy	F76	REN-20	21.42	25.68	21.42	23.58	
Passage	F75	REN-30	20.09	24.42	20.09	22.05	
Dummy	----	REN-40	8.89	13.23	8.89	9.73	

 Prefix "UL" before Part # when ordering UL Listed, available on Entrance and Passage functions. Add \$4.47 List.
***REN05 US26 Non-Stock


ASPEN ----- ASP DESIGN

FUNCTIONS	ANSI	ITEM #	US3	US15	US10B	US5, 15A, 26, 26D	PCS / MC
Entry - KA / 3	F109	ASP-00	\$28.51	\$32.57	\$36.68	\$32.57	36
Storeroom - KA / 3	F86	ASP-05					
Privacy	F76	ASP-20	24.39	28.51	32.57	28.51	
Passage	F75	ASP-30	23.19	27.25	31.37	27.25	
Dummy	----	ASP-40	12.56	14.56	18.66	14.56	

 Prefix "UL" before Part # when ordering UL Listed, available on Entrance and Passage functions. Add \$4.47 List.

BERMUDA ----- BER DESIGN

FUNCTIONS	ANSI	ITEM #	US3	US15	US10B	US5, 15A, 26, 26D	PCS / MC
Entry - KA / 3	F109	BER-00	\$26.45	\$28.51	\$34.22	\$28.51	36
Storeroom - KA / 3	F86	BER-05					
Privacy	F76	BER-20	21.53	23.59	28.51	23.59	
Passage	F75	BER-30	20.34	22.39	26.84	22.39	
Dummy	----	BER-40	9.24	10.10	12.11	10.10	

 Prefix "UL" before Part # when ordering UL Listed, available on Entrance and Passage functions. Add \$4.47 List.





LOCKSETS PRICE LIST

Effective | APR 2025

► CHELSIE SERIES LEVERSET DESIGNS

Prefix "UL" before Part # when ordering UL Listed, available on Entrance and Passage functions. Add \$4.47 List.
* SH is for Specify Handing

QUANTITY DISCOUNT
300 UNITS MIXED
▶▶ LESS 5%
600 UNITS MIXED
▶▶ LESS 10%

STOCK ITEM PRICES IN BOLD
NON-STOCK FINISHES AND DESIGNS AVAILABLE
WITH FACTORY LEAD TIME AND SUBJECT TO MINIMUM ORDER

 MAY	FUNCTIONS		ANSI	ITEM #	US3, 15, 26D	US10B	US1	US5	US15A, 26	PCS / MC
	Entry - KA / 3	*SH	F109	MAY-00	\$33.63	\$38.08	\$38.08	\$36.99	\$36.99	
Storeroom - KA / 3	*SH	F86	MAY-05	30.41	34.94	34.94	33.63	33.63		
Privacy	*SH	F76	MAY-20	29.09	33.63	33.63	32.02	32.02		
Passage	*SH	F75	MAY-30	14.69	19.23	19.23	16.23	16.23		
MAYFAIR	Active Dummy	*SH	----	MAY-40	14.69	19.23	19.23	16.23	16.23	36

* SH is for Specify Handing

 SOP	FUNCTIONS		ANSI	ITEM #	US3, 15, 26D	US10B, 1	US5, 15A, 26	PCS / MC
	Entry - KA / 3		F109	SOP-00	\$33.63	\$38.08	\$36.99	
Storeroom - KA / 3		F86	SOP-05	30.41	34.94	33.63		
Privacy		F76	SOP-20	29.09	33.63	32.02		
Passage		F75	SOP-30	14.69	19.23	16.23		
SOPHIA	Active Dummy		----	SOP-40	14.69	19.23	16.23	36

 LEN	FUNCTIONS		ANSI	ITEM #	US3, 15, 26D	US10B, 1	US5, 26	US15A	PCS / MC
	Entry - KA / 3		F109	LEN-00	\$33.63	\$38.08	\$36.99	\$36.99	
Storeroom - KA / 3		F86	LEN-05	30.41	34.94	33.63	33.63		
Privacy		F76	LEN-20	29.09	33.63	32.02	32.02		
Passage		F75	LEN-30	14.69	19.23	16.23	16.23		
LENOX	Active Dummy		----	LEN-40	14.69	19.23	16.23	16.23	36

 BRI	FUNCTIONS		ANSI	ITEM #	US3, 15, 26D	US10B	US1	US5, 15A, 26	PCS / MC
	Entry - KA / 3		F109	BRI-00	\$33.63	\$38.08	\$38.08	\$40.34	
Storeroom - KA / 3		F86	BRI-05	30.41	34.94	34.94	33.63		
Privacy		F76	BRI-20	29.09	33.63	33.63	32.02		
Passage		F75	BRI-30	14.69	19.23	19.23	16.23		
BRISTOL	Active Dummy		----	BRI-40	14.69	19.23	19.23	16.23	36

 AUS	FUNCTIONS		ANSI	ITEM #	US3, 15	US10B	US1	US5	US26D	US15A, 26	PCS / MC
	Entry - KA / 3		F109	AUS-00	\$33.63	\$38.08	\$38.08	\$36.54	\$36.99	\$36.99	
Storeroom - KA / 3		F86	AUS-05	30.41	34.94	34.94	33.63	33.63	33.63		
Privacy		F76	AUS-20	29.09	33.63	33.63	32.02	32.02	32.02		
Passage		F75	AUS-30	14.69	19.23	19.23	16.23	16.23	16.23		
AUSTIN	Active Dummy		----	AUS-40	14.69	19.23	19.23	16.23	16.23	36	

 KOB	FUNCTIONS		ANSI	ITEM #	US3	US15, 26D	US10B, 1	US5, 15A, 26	PCS / MC
	Entry - KA / 3		F109	KOB-00	\$33.63	\$33.63	\$38.08	\$36.99	
Storeroom - KA / 3		F86	KOB-05	30.41	30.41	34.94	33.63		
Privacy		F76	KOB-20	29.09	29.09	33.63	32.02		
Passage		F75	KOB-30	14.69	14.69	19.23	16.23		
KOBE	Active Dummy		----	KOB-40	14.69	14.69	19.23	16.23	36



ATSI Technical Services, Inc.
6174 State Route 88, Finleyville, PA 15332






• Office: 724-969-2595
• Cell/Text: 703-283-6192 • Fax: 413-677-7814
• Email: Sales@assatechnicalservicesinc.com



LOCKSETS PRICE LIST

Effective | APR 2025

► CHELSIE SERIES HANDLESET DESIGNS

 MER	 SAV	 CAM	 BAB	 DEE
MERIDIAN	SAVANNAH	CAMBRIDGE	BAYBRIDGE	DEERFIELD

QUANTITY DISCOUNT

300 UNITS MIXED
▶▶ LESS 5%

600 UNITS MIXED
▶▶ LESS 10%

STOCK ITEM PRICES IN BOLD
NON-STOCK FINISHES AND DESIGNS AVAILABLE WITH FACTORY LEAD TIME AND SUBJECT TO MINIMUM ORDER

MERIDIAN ----- MER DESIGN

FUNCTIONS	ITEM #	PVD US3	US10B	US15, 26	US5	US15A	PCS / MC
Solid Brass Handle with single cylinder deadbolt KD	MER00	---	\$221.56	\$202.92	---	---	10
Dummy handle set with dummy deadbolt and matching trim	MER40	211.21	---	192.57	192.57	---	10

*** All prices above on the **MER Design** are for any design on knobs and lever sets for interior handle. **PRE Premier Design** is not available for interior handleset. All other trims designs are available. On **Chelsie Series** specify at time of order (Ex: MER00 / REN)

SAVANNAH ----- SAV DESIGN

FUNCTIONS	ITEM #	PVD US3	US10B	US5, 15, 26	US15A	PCS / MC
Solid Brass Handle with single cylinder deadbolt KD	SAV00	\$221.56	\$221.56	\$202.92	---	10
Dummy handle set with dummy deadbolt and matching trim	SAV40	211.21	211.21	192.57	---	10

*** All prices above on the **SAV Series** are for any design on knobs and lever sets for interior handle. **SIG Signature / PRE Premier Designs** are not available for interior handleset. All other trims designs are available. On **Chelsie Series** specify at time of order (Ex: SAV00 / REN)

CAMBRIDGE ----- CAM DESIGN

FUNCTIONS	ITEM #	PVD US3	US10B	US5	US15, 15A, 26	PCS / MC
Solid Brass Handle with single cylinder deadbolt KD	CAM00	---	---	---	\$182.64	10
Dummy handle set with dummy deadbolt and matching trim	CAM40	202.21	202.21	173.94	173.94	10

*** All prices above on the **CAM Design** are for any design on knobs and lever sets for interior handle. **PRE Premier Design** is not available for interior handleset. All other trims designs are available. On **Chelsie Series** specify at time of order (Ex: CAM00 / REN)

BAYBRIDGE ----- BAB DESIGN

FUNCTIONS	ITEM #	US15	US26	US15A	US10B	US3, 5	US26D	PCS / MC
Handle w/ single cylinder deadbolt	BAB-00	---	\$154.65	---	---	---	---	10
Dummy handle set with dummy deadbolt and matching trim	BAB-40	144.93	144.93	144.93	173.94	---	130.48	10

*** All prices above on the **BAB Design** are for design knob for interior handle. **PRE Premier and SIG Signature Designs** are not available for interior handleset. All other trims designs are available. Specify at time of order (Ex: BAB00 / LENTRIM is BAB00 with LEN lever design on interior.)

DEERFIELD ----- DEE DESIGN

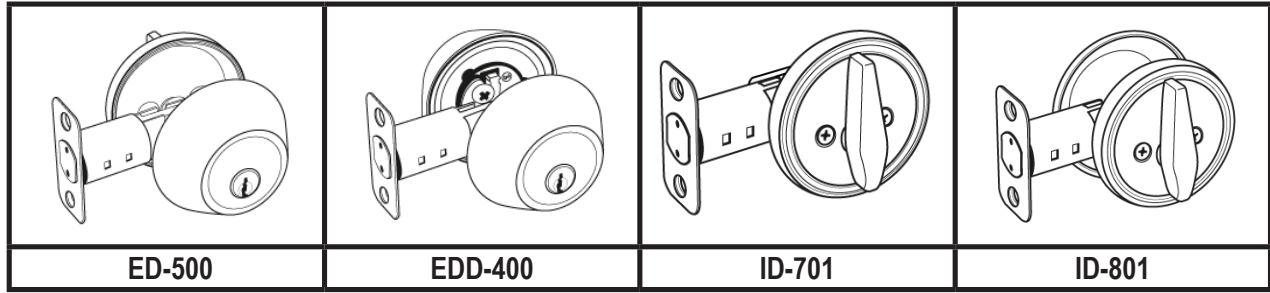
FUNCTIONS	ITEM #	US3	US15	US10B	US5, 15A, 26, 26D	PCS / MC
Handle with single cylinder deadbolt	DEE-00	---	\$169.11	---	\$169.11	10
Dummy handle set with dummy deadbolt and matching trim	DEE-40	144.93	159.48	188.46	159.48	10

*** All prices above on the **DEE Design** are for design knob for interior handle. **PRE Premier and SIG Signature Designs** are not available for interior handleset. All other trims designs are available. Specify at time of order (Ex: DEE00 / LENTRIM is DEE00 with LEN lever design on interior.)





► **CHELSIE SERIES DEADBOLT DESIGNS**



STOCK ITEM PRICES IN BOLD
NON-STOCK FINISHES AND DESIGNS AVAILABLE
WITH FACTORY LEAD TIME AND SUBJECT TO MINIMUM ORDER

FUNCTIONS	ITEM #	US3	US15, US26D	US10B	US1	US15A, US5	US32D	US26	PCS / MC
Single cylinder deadbolt	ED-500	\$23.83	\$23.83	\$28.06	\$28.06	\$25.90	\$23.83	\$25.90	36
Single cylinder deadbolt	ULED-500	32.22	32.22	36.45	37.13	34.38	32.87	34.38	
Double cylinder deadbolt	EDD-400	30.23	30.23	34.93	32.02	33.24	27.71	30.48	
One sided deadbolt	ID-701	13.11	15.36	18.38	19.07	15.36	15.36	15.94	
One sided deadbolt with exterior cover plate	ID-801	17.06	19.44	22.60	22.60	19.44	16.98	20.17	

► **LEVERSET PACKAGING INCLUDES**

- Adjustable steel 2 3/8" and 2 3/4" backset (2 1/4" x 1", 1/4" radius). Drive in latch bolt also available on request. Square corner available on request on special factory order with lead time and subject to minimum quantity.
- All locksets are packed with full lip strike round corner 1/4" radius. Square corner available on request.
- Kwikset rekeyable 5 pin cylinder.

► **DEADBOLT AND HANDLESET PACKAGING INCLUDES:**

- Adjustable steel 2 3/8" and 2 3/4" backset (2 1/4" x 1", 1/4" radius). Drive in latch bolt also available on request. Square corner available upon request on special factory order with lead time.
- Deadbolts packed with 1" x 2 1/4" strike round corner 1/4" radius and full lip strike 1/4" radius. Square corner available upon request. On special factory order with lead time.
- Security strike (1 1/4" x 3 5/8", 1/4" radius) with 3" screws available with an additional charge.
- Kwikset rekeyable 5 pin cylinder.

QUANTITY DISCOUNT
300 UNITS MIXED ►► LESS 5%
600 UNITS MIXED ►► LESS 10%





HERITAGE Series List Price

RESIDENTIAL LEVERS, **WITH TURN BUTTON** ANSI A156.2, GRADE 3

- ▶ **KEYWAYS** (STD, "KW" 5-PIN KWIKSET) OPTIONAL 5-PIN SCHLAGE "C" & WEISER
 - All locksets are available with **Schlage "C"** and **Weiser** keyway on special factory order only, with no additional charge. Consult factory.
 - **SCHLAGE "C" KEYWAY OPTION:** For immediate stock shipment, add **\$5.25 List** for keyed entrance lock.
Prefix "C" before Part # (Ex: AZU-00 with C keyway is CAZU-00)
 - **WEISER KEYWAY OPTION:** For keyed leversets, add **\$3.33 List**.
Prefix "W" before Part # (Ex: AZU-00 with Weiser keyway is WAZU-00)

Prefix "UL" before Part # when ordering UL Listed, available on Entrance and Passage functions. Add **\$4.47 List**.



STOCK ITEM PRICES IN BOLD
NON-STOCK FINISHES AND DESIGNS AVAILABLE WITH FACTORY LEAD TIME AND SUBJECT TO MINIMUM ORDER

AZURE (AZU) SERIES, with **Turn Button** (Optional Push Button, see next page)

	FUNCTIONS	ANSI	ITEM #	US3	US5	US1	US11P	US15, 26D	US26	PCS / MC
	Entry - KA / 3	F109	AZU-00	\$36.99	\$40.64	\$41.87	\$41.87	\$36.99	\$40.64	
Storeroom - KA / 3	F86	AZU-05								
Privacy	F76	AZU-20	33.48	36.99	38.45	38.45	33.48	36.99		
Passage	F75	AZU-30	32.02	35.24	36.99	36.99	32.02	35.24		
Active Dummy	----	AZU-40	16.16	17.83	21.12	21.12	16.16	17.83	36	

ALLURE (ALL) SERIES, with **Turn Button** (Optional Push Button, see next page)

	FUNCTIONS	ANSI	ITEM #	US3	US5	US1, 11P	US15, 26D	US26	PCS / MC
	Entry - KA / 3	F109	ALL-00	\$36.99	\$40.64	\$41.87	\$36.99	\$40.64	
Storeroom - KA / 3	F86	ALL-05							
Privacy	F76	ALL-20	33.48	36.99	38.45	33.48	36.99		
Passage	F75	ALL-30	32.02	35.24	36.99	32.02	35.24		
Active Dummy	----	ALL-40	16.16	17.83	21.12	16.16	17.83	36	

MEMPHIS (MEM) SERIES, with **Turn Button** (Optional Push Button, see next page)

	FUNCTIONS	ANSI	ITEM #	US3, 26D	US5, 26	US11P	US15	US1	PCS / MC
	Entry - KA / 3	F109	MEM-00	\$36.99	\$40.64	\$41.87	\$37.71	\$41.87	
Storeroom - KA / 3	F86	MEM-05							
Privacy	F76	MEM-20	33.48	36.99	38.45	34.50	38.45		
Passage	F75	MEM-30	32.02	35.24	36.99	33.77	37.13		
Active Dummy	----	MEM-40	16.16	17.83	21.12	16.16	21.12	36	

DELAWARE (DEL) SERIES, with **Turn Button** (Optional Push Button, see next page)

	FUNCTIONS	ANSI	ITEM #	US3, 26D	US5, 26	US11P	US15	US1	PCS / MC
	Entry - KA / 3	F109	DEL-00	\$36.99	\$40.64	\$41.87	\$37.71	\$41.87	
Storeroom - KA / 3	F86	DEL-05							
Privacy	F76	DEL-20	33.48	36.99	38.45	34.50	38.45		
Passage	F75	DEL-30	32.02	35.24	36.99	33.77	37.13		
Active Dummy	----	DEL-40	16.16	17.83	21.12	16.16	21.12	36	

▶ **LEVERSET PACKAGING INCLUDES**

- Kwikset rekeyable 5-pin cylinder
- 2 3/8" or 2 1/4" adjustable backset, size 1" x 2 1/4" round corner standard. Square corner option and drive-in latchbolt also available on special factory order
- Round Corner Full Lip Strike: 1 3/4" x 2 1/4"
- Keyed entry comes with lever / lever for exterior and interior
- 1" bore diameter for latch, 2 1/8" diameter for lock housing

QUANTITY DISCOUNT
300 UNITS MIXED ▶▶ **LESS 5%**
600 UNITS MIXED ▶▶▶ **LESS 10%**

◆◆◆ CONTINUED NEXT PAGE ◆◆◆





HERITAGE Series List Price

RESIDENTIAL LEVERS, **WITH PUSH BUTTON** ANSI A156.2, GRADE 3

- ▶ **KEYWAYS** (STD, "KW" 5-PIN KWIKSET) OPTIONAL 5-PIN SCHLAGE "C" & WEISER
 - All locksets are available with **Schlage "C"** and **Weiser** keyway on special factory order only, with no additional charge. Consult factory.
 - **SCHLAGE "C" KEYWAY OPTION:** For immediate stock shipment, add **\$5.25 List** for keyed entrance lock.
Prefix "C" before Part # (Ex: AZU-00 with C keyway is CAZU-00)
 - **WEISER KEYWAY OPTION:** For keyed leversets, add **\$3.33 List**.
Prefix "W" before Part # (Ex: AZU-00 with Weiser keyway is WAZU-00)

Prefix "UL" before Part # when ordering UL Listed, available on Entrance and Passage functions. Add \$4.47 List.



STOCK ITEM PRICES IN BOLD
NON-STOCK FINISHES AND DESIGNS AVAILABLE WITH FACTORY LEAD TIME AND SUBJECT TO MINIMUM ORDER

AZURE (AZU) SERIES, with **Push Button** (**Available in Entrance & Privacy functions only)

	FUNCTIONS	ANSI	ITEM #	US3	US5	US1	US11P	US15, 26D	US26	PCS / MC
	Entry - KA / 3	F109	**PAZU-00	\$40.03	\$43.67	\$44.91	\$44.91	\$40.03	\$43.67	
Storeroom - KA / 3	F86	AZU-05	36.99	40.64	41.87	41.87	36.99	40.64		24
Privacy	F76	**PAZU-20	36.52	40.03	41.49	41.49	36.52	40.03		
Passage	F75	AZU-30	32.02	35.24	36.99	36.99	32.02	35.24		36
Active Dummy	----	AZU-40	16.16	17.83	21.12	21.12	16.16	17.83		

ALLURE (ALL) SERIES, with **Push Button** (**Available in Entrance & Privacy functions only)

	FUNCTIONS	ANSI	ITEM #	US3	US5	US1, 11P	US15, 26D	US26	PCS / MC
	Entry - KA / 3	F109	**PALL-00	\$40.03	\$43.67	\$44.91	\$40.03	\$43.67	
Storeroom - KA / 3	F86	ALL-05	36.99	40.64	41.87	36.99	40.64		24
Privacy	F76	**PALL-20	36.52	40.03	41.49	36.52	40.03		
Passage	F75	ALL-30	32.02	35.24	36.99	32.02	35.24		36
Active Dummy	----	ALL-40	16.16	17.83	21.12	16.16	17.83		

MEMPHIS (MEM) SERIES, with **Push Button** (**Available in Entrance & Privacy functions only)

	FUNCTIONS	ANSI	ITEM #	US3, 26D	US5, 26	US11P	US15	US1	PCS / MC
	Entry - KA / 3	F109	**PMEM-00	\$40.03	\$43.67	\$44.91	\$40.75	\$44.91	
Storeroom - KA / 3	F86	MEM-05	36.99	40.64	41.87	37.71	41.87		24
Privacy	F76	**PMEM-20	36.52	40.03	41.49	37.54	41.49		
Passage	F75	MEM-30	32.02	35.24	36.99	33.77	37.13		36
Active Dummy	----	MEM-40	16.16	17.83	21.12	16.16	21.12		

▶ **LEVERSET PACKAGING INCLUDES**

- Kwikset rekeyable 5-pin cylinder
- 2 3/8" or 2 1/2" adjustable backset, size 1" x 2 1/4" round corner standard. Square corner option and drive-in latchbolt also available on special factory order
- Round Corner Full Lip Strike: 1 3/4" x 2 1/4"
- Keyed entry comes with lever / lever for exterior and interior
- 1" bore diameter for latch, 2 1/2" diameter for lock housing

QUANTITY DISCOUNT

300 UNITS MIXED ▶▶ **LESS 5%**

600 UNITS MIXED ▶▶ **LESS 10%**





VANGUARD Series List Price

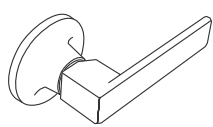
RESIDENTIAL LEVERS WITH TURN BUTTON - ANSI A156.2, GRADE 3
RESIDENTIAL DEADBOLTS - ANSI A156.36, GRADE 3


- ▶ **KEYWAYS (STD, "KW" 5-PIN KWIKSET) OPTIONAL 5-PIN SCHLAGE "C" & WEISER**
 - All locksets, and deadbolts are available with **Schlage "C"** and **Weiser** keyway on special factory order only, with no additional charge. Consult factory.
 - **SCHLAGE "C" KEYWAY OPTION:** For immediate stock shipment add **\$5.25 List** for keyed entrance lock and single cylinder deadbolts. Prefix C before Part # (Ex: MOD-00 with C keyway is CMOD-00)
 - **WEISER KEYWAY OPTION:** For keyed knob and leversets add **\$3.33 List**. For Single Cylinder Deadbolts, add **\$4.97 List** and for Double Cylinder Deadbolts add **\$9.86 List**. Prefix "W" before Part # (Ex: MOD-00 with Weiser keyway is WMOD-00)

STOCK ITEM PRICES IN BOLD
NON-STOCK FINISHES AND DESIGNS AVAILABLE WITH
FACTORY LEAD TIME AND SUBJECT TO MINIMUM ORDER

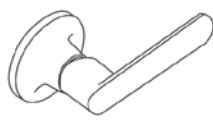
QUANTITY DISCOUNT
300 UNITS MIXED ▶▶ **LESS 5%**
600 UNITS MIXED ▶▶▶ **LESS 10%**


▶ **LEVERSET DESIGNS**
MODERNE (MOD) SERIES, with Turn Button

	FUNCTIONS	ANSI	ITEM #	US11P	US15	US26	US26D	US3	US5	US15A	PCS / MC
	Entry - KA / 3	F109	MOD-00	\$44.96	\$39.62	\$43.63	\$39.62	\$39.62	\$43.63	\$43.63	\$43.63
Storeroom - KA / 3	F86	MOD-05									
Privacy	F76	MOD-20	41.22	35.89	39.62	35.89	35.89	39.62	39.62	39.62	36
Passage	F75	MOD-30	39.62	34.36	37.79	34.36	34.36	37.79	37.79	37.79	
Active Dummy	----	MOD-40	22.67	17.31	19.16	17.31	17.31	19.16	19.16	19.16	

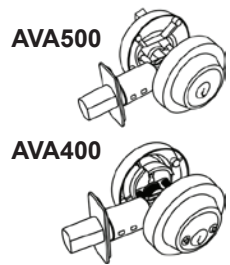
 Prefix "UL" before Part # when ordering UL Listed, available on Entrance and Passage functions. Add **\$4.47 List**.

NOVUS (NOV) SERIES, with Turn Button

	FUNCTIONS	ANSI	ITEM #	US11P	US15	US26	US26D	US3	US5	US15A	PCS / MC
	Entry - KA / 3	F109	NOV-00	\$44.96	\$39.62	\$43.63	\$39.62	\$39.62	\$43.63	\$43.63	\$43.63
Storeroom - KA / 3	F86	NOV-05									
Privacy	F76	NOV-20	41.22	35.89	39.62	35.89	35.89	39.62	39.62	39.62	36
Passage	F75	NOV-30	39.62	34.36	37.79	34.36	34.36	37.79	37.79	37.79	
Active Dummy	----	NOV-40	22.67	17.31	19.16	17.31	17.31	19.16	19.16	19.16	

 Prefix "UL" before Part # when ordering UL Listed, available on Entrance and Passage functions. Add **\$4.47 List**.

▶ **DEADBOLT DESIGNS**
AVANTI ----- AVA SERIES

	FUNCTIONS	ANSI	ITEM #	US11P	US1	US15, 26D	US26	US3	US5	US15A	PCS / MC
	Single Cylinder Deadbolt - KA / 3	E0153	AVA500	\$26.36	\$26.36	\$24.37	\$26.36	\$24.37	\$26.36	\$24.55	\$24.55
Double Cylinder Deadbolt - KA / 3	E0143	AVA400	33.76	33.76	31.46	33.45	31.46	33.45	33.45	33.45	

▶ **LEVERSET PACKAGING INCLUDES**

- Kwikset rekeyable 5 pin cylinder
- **6-way** 2 3/8" or 2 3/4" adjustable backset, size 1" x 2 1/4" round corner standard. Square corner option and drive-in latchbolt also available on special factory order.
- Round Corner Full Lip Strike: 1 3/4" x 2 1/4"
- Keyed entry comes with lever / lever for exterior and interior
- 1" bore diameter for latch, 2 1/8" diameter for lock housing

▶ **DEADBOLT PACKAGING INCLUDES:**

- Kwikset rekeyable 5 pin cylinder
- 2 3/8" or 2 3/4" adjustable backset, size 1" x 2 1/4" round corner standard; Square corner option and drive-in latchbolt also available on special factory order.
- Full 1" throw deadbolt
- 1" x 2 1/4" round corner strike standard



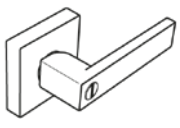


CONTEMPORARY Series List Price

ANSI STANDARD A156.2 RESIDENTIAL LEVERS & A156.36 DEADBOLTS, GRADE 3

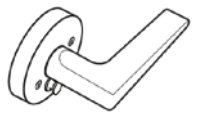
STOCK ITEM PRICES IN BOLD
NON-STOCK FINISHES AND DESIGNS AVAILABLE WITH FACTORY LEAD TIME AND SUBJECT TO MINIMUM ORDER

HOLLAND ----- HOL DESIGN

	FUNCTIONS	ANSI	ITEM #	US15	US10B, 1	US3, 26D	US5, 15A, 26	PCS / MC
	Entry - KA / 3 *NH	F109	HOL-00	\$62.19	\$66.39	\$62.19	\$66.39	18
Privacy *NH	F76	HOL-20	59.47	63.59	59.47	63.59	20	
Passage *NH	F75	HOL-30	56.68	60.86	56.68	60.86		
Dummy *NH	----	HOL-40	27.64	30.44	27.64	30.44	36	

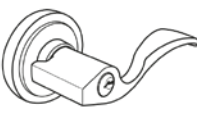
* NH is for Non-Handed (Reversible) **NOT AVAILABLE WITH UL LATCH** ☒

ATLAS ----- ATL DESIGN

	FUNCTIONS	ANSI	ITEM #	US15	US10B	US3, 26D	US1, 5, 15A, 26	PCS / MC
	Privacy *H	F76	ATL20	\$59.51	\$63.91	\$59.51	\$63.91	20
Passage *NH	F75	ATL30	56.66	60.99	56.66	60.99		
Dummy *NH	----	ATL40	27.63	30.49	27.63	30.49	36	

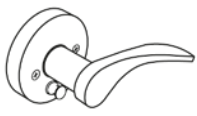
* NH is for Non-Handed (Reversible) * H is for Handed (Order Handling for Convenience) **NOT AVAILABLE WITH UL LATCH** ☒

JUPITER ----- JUP DESIGN

	FUNCTIONS	ANSI	ITEM #	US15	US10B	US3, 26D	US1, 5, 15A, 26	PCS / MC
	Entry - KA / 3 *H	F109	JUP-00	\$52.26	\$55.19	\$52.26	\$55.19	18
Privacy *H	F76	JUP-20	49.40	52.26	49.40	52.26	20	
Passage *H	F75	JUP-30	45.00	47.94	45.00	47.94		
Dummy *H	----	JUP-40	26.17	29.03	26.17	29.03	36	

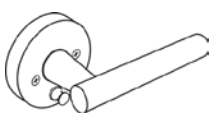
* H is for Handed (Order Handling for Convenience) **NOT AVAILABLE WITH UL LATCH** ☒

PHOENIX ----- PHO DESIGN

	FUNCTIONS	ANSI	ITEM #	US15	US10B	US3, 26D	US1, 5, 15A, 26	PCS / MC
	Entry - KA / 3 *H	F109	PHO-00	\$65.31	\$69.71	\$65.31	\$69.71	18
Privacy *H	F76	PHO-20	62.45	66.77	62.45	66.77	20	
Passage *H	F75	PHO-30	59.51	63.91	59.51	63.91		
Dummy *H	----	PHO-40	29.03	31.96	29.03	31.96	36	

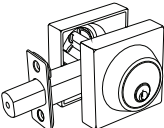
* H is for Handed (Order Handling for Convenience) **NOT AVAILABLE WITH UL LATCH** ☒

VANITY ----- VAN DESIGN

	FUNCTIONS	ANSI	ITEM #	US15	US10B	US3, 26D	US1, 5, 15A, 26	PCS / MC
	Privacy *H	F76	VAN-20	\$59.51	\$63.91	\$59.51	\$63.91	20
Passage *NH	F75	VAN-30	56.66	60.99	56.66	60.99		
Dummy *NH	----	VAN-40	27.63	30.49	27.63	30.49	36	

* NH is for Non-Handed (Reversible) * H is for Handed (Order Handling for Convenience) **NOT AVAILABLE WITH UL LATCH** ☒

ESQUIRE ----- ESQ DESIGN

	FUNCTIONS	ITEM #	US15	US10B	US3, 26D	US1	US5, 15A, 26	PCS / MC
	Square Single Cylinder Deadbolt *NH	ESQ-101	\$35.88	\$38.82	\$35.88	\$38.82	\$38.82	36
Square Double Cylinder Deadbolt *NH	ESQ-102	46.28	49.31	46.28	49.31	49.31		

* NH is for Non-Handed (Reversible) **NOT AVAILABLE WITH UL LATCH** ☒

- **LEVERSET & DEADBOLT PACKAGING INCLUDES:**
- Adjustable steel 2 3/8" and 2 3/4" backset (2 1/4" x 1", 1/4" radius). Drive in latch bolt also available on request. Square corner available on request on special factory order with lead time and subject to minimum quantity.

- All locksets and deadbolts are packed with full lip strike round corner 1/4" radius. Square corner available on request.
- Kwikset rekeyable 5 pin cylinder.
- Deadbolts are packed with Security strike (1 1/4" x 3 5/8", 1/4" radius) with 3" screws available with an additional charge.

QUANTITY DISCOUNT

300 UNITS MIXED ►► LESS 5%

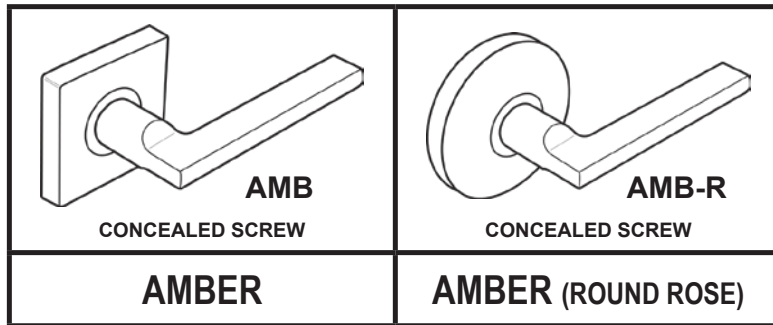
600 UNITS MIXED ►► LESS 10%





SUMMIT Series List Price

WITH PUSH BUTTON LOCKING MECHANISM AND AUTO RELEASE FEATURE, ANSI STANDARD A156.2, GRADE 3



ALL DESIGNS HAVE PUSH BUTTON LOCKING MECHANISM & AUTO RELEASE FOR IMMEDIATE EGRESS, PANIC EXIT STRUCTURE ON PRIVACY FUNCTION. KEYED ENTRY FOR AMBER DESIGN ONLY.

STOCK ITEM PRICES IN BOLD
NON-STOCK FINISHES AND DESIGNS AVAILABLE WITH FACTORY LEAD TIME AND SUBJECT TO MINIMUM ORDER

AMBER --- SQUARE ROSE STANDARD, with Turn Button (Entrance function) Available while supplies last

FUNCTIONS	ANSI	ITEM #	US15	US26	US10B	US1	US3, 26D	US5, 15A	PCS / MC	
Entrance	*NH	---	AMB-00	\$77.55	\$80.62	\$80.62	\$80.62	\$77.55	\$77.55	20
Privacy	*NH	F76	AMB-20	59.47	62.19	62.19	62.19	59.47	62.19	
Passage	*NH	F75	AMB-30	56.68	59.47	59.47	59.47	56.68	59.47	
Dummy	*NH	---	AMB-40	27.64	30.44	30.44	30.44	27.64	30.44	36

* NH is for Non-Handed **NOT AVAILABLE WITH UL LATCH** ☒

AMBER --- ROUND ROSE STANDARD Available while supplies last

FUNCTIONS	ANSI	ITEM #	US15	US26	US10B	US1	US3, 26D	US5, 15A	PCS / MC	
Privacy	*NH	F76	AMB-20R	\$59.47	\$62.19	\$62.19	\$62.19	\$59.47	\$62.19	20
Passage	*NH	F75	AMB-30R	56.68	59.47	59.47	59.47	56.68	59.47	
Dummy	*NH	---	AMB-40R	27.64	30.44	30.44	30.44	27.64	30.44	36

* NH is for Non-Handed **NOT AVAILABLE WITH UL LATCH** ☒

► **LEVERSET PACKAGING INCLUDES**

- Kwikset rekeyable 5-pin cylinder
- 2 3/8" or 2 3/4" adjustable backset, size 1" x 2 1/4" round corner standard
Square corner option and drive-in latchbolt also available on special factory order
- Round Corner Full Lip Strike: 1 3/4" x 2 1/4"
- 1" bore diameter for latch, 2 1/8" diameter for lock housing

QUANTITY DISCOUNT
300 UNITS MIXED ►► LESS 5%
600 UNITS MIXED ►► LESS 10%

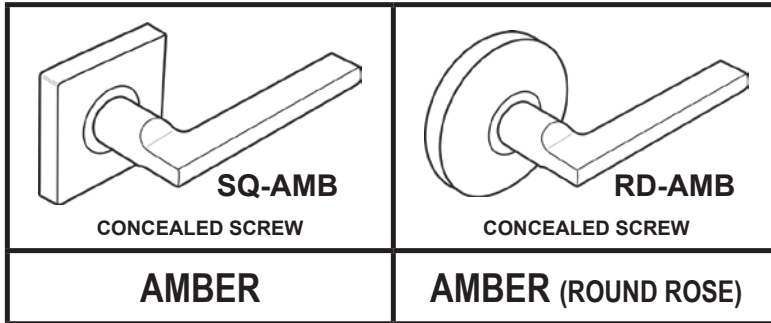
◆◆ CONTINUED NEXT PAGE ◆◆





SUMMIT Series List Price

WITH PUSH BUTTON LOCKING MECHANISM AND AUTO RELEASE FEATURE, ANSI STANDARD A156.2, GRADE 3



ALL DESIGNS HAVE PUSH BUTTON LOCKING MECHANISM & AUTO RELEASE FOR IMMEDIATE EGRESS, PANIC EXIT STRUCTURE ON PRIVACY FUNCTION. KEYED ENTRY FOR AMBER DESIGN ONLY.

STOCK ITEM PRICES IN BOLD
NON-STOCK FINISHES AND DESIGNS AVAILABLE WITH FACTORY LEAD TIME AND SUBJECT TO MINIMUM ORDER

AMBER ---- SQUARE ROSE STANDARD (**Entrance function, with Push Button) Replacement to AMB (Square Rose)

FUNCTIONS	ANSI	ITEM #	US15	US1	US26, 10B	US3, 26D	US5, 15A	PCS / MC
Entrance *NH	---	**SQ-AMB-00	\$77.55	\$80.62	\$80.62	\$77.55	\$77.55	20
Privacy *NH	F76	SQ-AMB-20	59.47	62.19	62.19	59.47	62.19	
Passage *NH	F75	SQ-AMB-30	56.68	59.47	59.47	56.68	59.47	
Dummy *NH	---	SQ-AMB-40	27.64	30.44	30.44	27.64	30.44	36

* NH is for Non-Handed **NOT AVAILABLE WITH UL LATCH** ☒

AMBER ---- ROUND ROSE STANDARD (**Entrance function, with Push Button) Replacement to AMB-R (Round Rose)

FUNCTIONS	ANSI	ITEM #	US15	US1	US26, 10B	US3, 26D	US5, 15A	PCS / MC
Entrance *NH	---	**RD-AMB-00	\$77.55	\$80.62	\$80.62	\$77.55	\$77.55	20
Privacy *NH	F76	RD-AMB-20	59.47	62.19	62.19	59.47	62.19	
Passage *NH	F75	RD-AMB-30	56.68	59.47	59.47	56.68	59.47	
Dummy *NH	---	RD-AMB-40	27.64	30.44	30.44	27.64	30.44	36

* NH is for Non-Handed **NOT AVAILABLE WITH UL LATCH** ☒

► **LEVERSET PACKAGING INCLUDES**

- Kwikset rekeyable 5-pin cylinder
- 2 3/8" or 2 3/4" adjustable backset, size 1" x 2 1/4" round corner standard
Square corner option and drive-in latchbolt also available on special factory order
- Round Corner Full Lip Strike: 1 3/4" x 2 1/4"
- 1" bore diameter for latch, 2 1/8" diameter for lock housing

QUANTITY DISCOUNT
300 UNITS MIXED ►► LESS 5%
600 UNITS MIXED ►► LESS 10%

◆◆ CONTINUED NEXT PAGE ◆◆

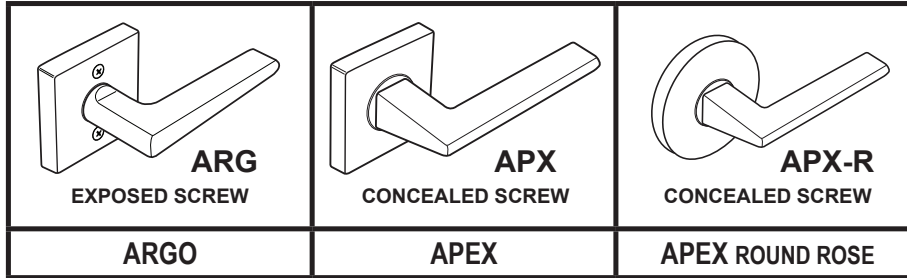




SUMMIT Series List Price

WITH PUSH BUTTON LOCKING MECHANISM AND AUTO RELEASE FEATURE, ANSI STANDARD A156.2, GRADE 3

ALL DESIGNS HAVE PUSH BUTTON LOCKING MECHANISM & AUTO RELEASE FOR IMMEDIATE EGRESS, PANIC EXIT STRUCTURE ON PRIVACY FUNCTION. KEYED ENTRY FOR AMBER DESIGN ONLY.



STOCK ITEM PRICES IN BOLD
NON-STOCK FINISHES AND DESIGNS AVAILABLE WITH FACTORY LEAD TIME AND SUBJECT TO MINIMUM ORDER

ARGO ----- **SQUARE ROSE** STANDARD

FUNCTIONS	ANSI	ITEM #	US15	US26	US10B	US1	US3, 26D	US5, 15A	PCS / MC	
Privacy	*NH	F76	ARG-20	\$62.35	\$66.95	\$68.41	\$68.41	\$62.35	\$66.95	20
Passage	*NH	F75	ARG-30	59.34	63.89	65.42	65.42	59.34	63.89	
Dummy	*NH	---	ARG-40	28.95	31.94	33.48	33.48	28.95	31.94	36

* NH is for Non-Handed **NOT AVAILABLE WITH UL LATCH** ☒

APEX ----- **SQUARE ROSE** STANDARD

FUNCTIONS	ANSI	ITEM #	US15	US26	US10B	US3, 26D	US1, 5, 15A	PCS / MC	
Privacy	*NH	F76	APX-20	\$65.42	\$68.41	\$68.41	\$65.42	\$68.41	20
Passage	*NH	F75	APX-30	62.35	65.42	65.42	62.35	65.42	
Dummy	*NH	---	APX-40	30.41	33.48	33.48	30.41	33.48	36

* NH is for Non-Handed **NOT AVAILABLE WITH UL LATCH** ☒

APEX ----- **ROUND ROSE** STANDARD

FUNCTIONS	ANSI	ITEM #	US15	US26	US10B	US3, 26D	US1, 5, 15A	PCS / MC	
Privacy	*NH	F76	APX-20R	\$65.42	\$68.41	\$68.41	\$65.42	\$68.41	20
Passage	*NH	F75	APX-30R	62.35	65.42	65.42	62.35	65.42	
Dummy	*NH	---	APX-40R	30.41	33.48	33.48	30.41	33.48	36

* NH is for Non-Handed **NOT AVAILABLE WITH UL LATCH** ☒

► LEVERSET PACKAGING INCLUDES

- Kwikset rekeyable 5-pin cylinder
- 2 3/8" or 2 3/4" adjustable backset, size 1" x 2 1/4" round corner standard Square corner option and drive-in latchbolt also available on special factory order
- Round Corner Full Lip Strike: 1 3/4" x 2 1/4"
- 1" bore diameter for latch, 2 1/8" diameter for lock housing

QUANTITY DISCOUNT
300 UNITS MIXED ►► LESS 5%
600 UNITS MIXED ►► LESS 10%





LOCKSETS PRICE LIST

Effective | APR 2025

► **ADDITIONAL PARTS & CHARGES FOR
CHELSIE, HERITAGE, VANGUARD, CONTEMPORARY, AND SUMMIT SERIES**

◆◆ STANDARD DISCOUNT ONLY ◆◆			
ILLUSTRATION	ITEM #	DESCRIPTION	LIST PRICE
	4DRIVE2-1	Entrance Four Way Adjustable Drive In Latch bolt, with removable Square Corner faceplate for knobsets	\$6.67
	4DRIVE2-2	Entrance Four Way Adjustable Drive In Latch bolt, with removable Square Corner faceplate for leversets	
	4DRIVP2-1	Privacy, Passage Four Way Adjustable Drive In Latch bolt, with removable Square Corner faceplate for knobsets	\$6.67
	4DRIVP2-2	Privacy, Passage Four Way Adjustable Drive In Latch bolt, with removable Square Corner faceplate for leversets	
	4DRIV31	Deadbolt Four Way Adjustable Drive-In Latch bolt, with removable Square Corner faceplate	8.93
	ENTK-4	Adjustable Dead Latch 2 3/8" or 2 3/4" with round corner faceplate for Entrance Knobsets	6.67
	PASK-6	Adjustable Spring Latch 2 3/8" or 2 3/4" with round corner faceplate for Passage Knobsets	
	ENTL-5	Adjustable Dead Latch 2 3/8" or 2 3/4" with round corner faceplate for Entrance Leversets	
	PASL-7	Adjustable Spring Latch 2 3/8" or 2 3/4" with round corner faceplate for Passage Leversets	
	DB-8	Adjustable Deadbolt Latch 2 3/8" or 2 3/4" for Deadbolts	8.93
FOR USE with Chelsie Series Leversets and Deadbolt (REN, ASP, BER, MAY, SOP, LEN, BRI, AUS, KOBE, and ED-500), Heritage Series Leversets (ALL, AZU, MEM, and DEL), and Vanguard Series Leversets (MOD and NOV) ONLY.			
	ULENTK-4	UL-Listed Adjustable Dead Latch 2 3/8" or 2 3/4" with round corner faceplate for Entrance Knobsets	10.55
	ULPASK-6	UL-Listed Adjustable Spring Latch 2 3/8" or 2 3/4" with round corner faceplate for Passage Knobsets	
	ULENTL-5	UL-Listed Adjustable Dead Latch 2 3/8" or 2 3/4" with round corner faceplate for Entrance Leversets	
	ULPASL-7	UL-Listed Adjustable Spring Latch 2 3/8" or 2 3/4" with round corner faceplate for Passage Leversets	
	ULDB-8	UL-Listed Adjustable Deadbolt Latch 2 3/8" or 2 3/4" for Deadbolts	13.83





LOCKSETS PRICE LIST

Effective | APR 2025

► **ADDITIONAL PARTS & CHARGES FOR
CHELSIE, HERITAGE, VANGUARD, CONTEMPORARY, AND SUMMIT SERIES**

◆◆ STANDARD DISCOUNT ONLY ◆◆			
ILLUSTRATION	ITEM #	DESCRIPTION	LIST PRICE
	TS	T-Strike	\$3.18
	FLS	Full Lip Strike	
	DBFLS	Deadbolt Full Lip Strike, Round Corner	2.27
	ASAST	ANSI ASA Strike (US3, 26D, 26)	3.23
		ANSI ASA Strike (US10B, 10, 1)	4.84
	EXASA-175	Extended Lip ANSI Strike 1 3/4" Lip Extension from Screw Center Line (US32D, DURO)	29.09
	SS114358	Security Strike 1 1/4" x 3 5/8", 1/4" Radius with 2 pcs. each of 3" and 1 1/4" Screws (US3, 5, 15, 26D, 10B)	4.30
	K1-KEY	Blank Keys K1	1.00
	KEYS	Extra Cut Keys	2.34
	LFA18	Latch Front Adapter To Convert 1" Faceplate To 1 1/8" Wide Door Preparation	0.43
	PDBFLS	Plastic Dust box for Full Lip Strike, 1" x 2 1/8", 7/16" Depth	1.98
	PDB1214	Plastic Dust box for Residential Deadbolt Strike, 1 5/16" x 2 1/8", 1" Depth	
	PDBTS	Plastic Dust box for T-Strike, 1 1/16" x 2 3/4", 1/2" Depth	
	PDB118234	Plastic Dust box for Deadbolt T2STRK Strike, 1 1/16" x 2 3/4", 1" Depth	
	PDB478	Plastic Dust box for ASA Strike, 1 3/16" x 4 7/8", 15/16" Depth	3.90
◆ KEYING KITS			
	KKWI200	Keying Kit - KWI Keyway	168.68
◆ MOUNT			
	RESMOUNT	3 Hole Mount For Residential Locks	103.48

◆◆ STANDARD DISCOUNT ONLY ◆◆		
ITEM #	DESCRIPTION	LIST PRICE
KARES	Key alike	\$3.47
MKRES	Master key (Including KA charges)	4.40
CMKRES	Builder construction master key (Including KA & MK Charges)	6.10
GMKRES	Grand master key (Including KA, MK)	7.88



ATSI Technical Services, Inc.
6174 State Route 88, Finleyville, PA 15332

• Office: 724-969-2595
• Cell/Text: 703-283-6192 • Fax: 413-677-7814
• Email: Sales@assatechnicalservicesinc.com



LEGACY Series List Price

RESIDENTIAL LEVERS A156.2, GRADE 3

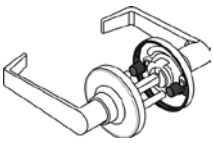


► KEYWAYS (STD, "KW" 5-PIN KWIKSET) OPTIONAL 5-PIN SCHLAGE "C" & WEISER

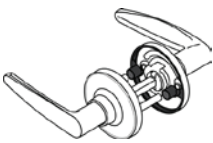
- All locksets are available with **Schlage "C"** and **Weiser** keyway on special factory order with no additional charge, or from stock with additional charges. See below.
- **SCHLAGE "C" KEYWAY OPTION:** For immediate stock shipment add **\$5.60 List** for keyed locks. Prefix "C" before Part # (Ex: ZUL00 with C keyway is CZUL00)
- **WEISER KEYWAY OPTION:** For immediate stock shipment add **\$5.60 List** for keyed locks. Prefix "W" before Part # (Ex: ZUL00 with Weiser keyway is WZUL00)
- Prefix "UL" before Part # when ordering UL Listed, available on Entrance, Storeroom, Privacy, Passage functions. Add **\$6.59 to List**

STOCK ITEM PRICES IN BOLD
NON-STOCK FINISHES AND DESIGNS AVAILABLE WITH FACTORY LEAD TIME AND SUBJECT TO MINIMUM ORDER

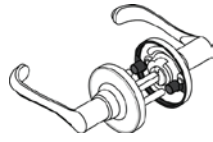
CABERNET ----- CAB DESIGN

	FUNCTIONS	ANSI	ITEM #	US15, US26D	US11P	US1	US5	15A/26	US3	PCS / MC
	Entrance w/ Push Button	F109	CAB00	\$47.85	\$53.09	\$53.09	\$47.85	\$53.09	\$45.45	24
	Storeroom	F86	CAB05	47.85	53.09	53.09	47.85	53.09	45.45	24
	Privacy w/ Push Button	F76	CAB20	37.88	52.16	52.16	34.89	38.75	33.17	24
	Passage	F75	CAB30	33.55	51.44	51.44	28.91	32.10	27.44	24
	Dummy	--	CAB40	15.62	22.79	22.79	15.36	17.01	14.56	24

ZULATTI ----- ZUL DESIGN

	FUNCTIONS	ANSI	ITEM #	US15, US26D	US11P	US1	US5	15A/26	US3	PCS / MC
	Entrance w/ Push Button	F109	ZUL00	\$47.85	\$53.09	\$53.09	\$47.85	\$53.09	\$45.45	24
	Storeroom	F86	ZUL05	47.85	53.09	53.09	47.85	53.09	45.45	24
	Privacy w/ Push Button	F76	ZUL20	37.88	52.16	52.16	34.89	38.75	33.17	24
	Passage	F75	ZUL30	33.55	51.44	51.44	28.91	32.10	27.44	24
	Dummy	--	ZUL40	15.62	22.79	22.79	15.36	17.01	14.56	24

DUCATI ----- DUC DESIGN

	FUNCTIONS	ANSI	ITEM #	US15	US26D	US11P	US1	US5	15A/26	US3	PCS / MC
	Entrance w/ Push Button	F109	DUC00	\$50.30	\$50.30	\$55.88	\$55.88	\$50.30	\$55.88	\$46.31	24
	Storeroom	F86	DUC05	50.30	50.30	55.88	55.88	50.30	55.88	46.31	24
	Privacy w/ Push Button	F76	DUC20	40.87	40.87	46.78	46.78	39.93	44.38	36.74	24
	Passage	F75	DUC30	36.62	36.62	42.66	42.66	33.29	36.95	30.63	24
	Dummy	--	DUC40	16.89	16.89	18.74	18.74	15.95	17.74	14.68	24

◆◆ CONTINUED NEXT PAGE ◆◆





LEGACY Series List Price

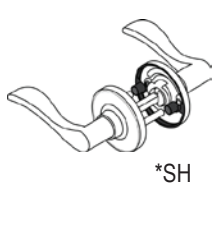
RESIDENTIAL LEVERS A156.2, GRADE 3



MEETS
The Buy American Act

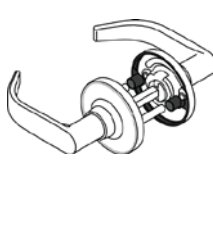
➤ Prefix "UL" before Part # when ordering UL Listed, available on Entrance, Storeroom, Privacy, Passage functions. Add \$6.59 to List

NAPA ----- NAP DESIGN

 *SH	FUNCTIONS	ANSI	ITEM #	US15	US26D	US11P	US1	US5	15A/26	US3	PCS / MC
	Entrance w/ Push Button	F109	NAP00	\$54.81	\$54.81	\$60.86	\$60.86	\$54.81	\$60.86	\$50.43	24
	Storeroom	F86	NAP05	54.81	54.81	60.86	60.86	54.81	60.86	50.43	24
	Privacy w/ Push Button	F76	NAP20	43.80	43.80	49.77	49.77	43.39	48.25	39.93	24
	Passage	F75	NAP30	39.67	39.67	45.59	45.59	37.08	41.20	34.09	24
	Dummy	--	NAP40	18.28	18.28	20.73	20.73	17.15	19.01	15.75	24

*SH is for Specify Handing

DENMARK ----- DEN DESIGN

 *SH	FUNCTIONS	ANSI	ITEM #	US15	US26D	US11P	US1	US5	15A/26	US3	PCS / MC
	Entrance w/ Push Button	F109	DEN00	\$54.81	\$54.81	\$60.86	\$60.86	\$54.81	\$61.39	\$50.43	24
	Storeroom	F86	DEN05	54.81	54.81	60.86	60.86	54.81	61.39	50.43	24
	Privacy w/ Push Button	F76	DEN20	43.80	43.80	49.77	49.77	43.39	48.25	39.93	24
	Passage	F75	DEN30	39.67	39.67	45.59	45.59	37.08	37.08	34.09	24
	Dummy	--	DEN40	18.28	18.28	20.14	20.14	17.15	17.15	15.75	24

VIARGENTO ----- VIA DESIGN

 *SH	FUNCTIONS	ANSI	ITEM #	US15	US26D	US11P	US1	US5	15A/26	US3	PCS / MC
	Entrance w/ Push Button	F109	VIA00	\$54.81	\$54.81	\$60.86	\$60.86	\$54.81	\$60.86	\$50.43	24
	Storeroom	F86	VIA05	54.81	54.81	60.86	60.86	54.81	60.86	50.43	24
	Privacy w/ Push Button	F76	VIA20	43.80	43.80	49.77	49.77	43.39	48.25	39.93	24
	Passage	F75	VIA30	39.67	39.67	45.59	45.59	37.08	41.20	34.09	24
	Dummy	--	VIA40	18.28	18.28	20.73	20.73	17.15	19.01	15.75	24

*SH is for Specify Handing

▶ LEVERSET PACKAGING INCLUDES

- 2 3/8" or 2 3/4" 4-way adjustable backset, size 1" x 2 1/4" round corner standard, convertible to drive-in latch. Square corner face plate and 5" round corner backsets optional.
- All locksets are packed with full lip strike round corner 1/4" radius
- Screw Guiding Posts for easy screw alignment and tightening making installation fast and easy.
- Push button release on entrance and privacy from inside by turning lever.
- Kwikset rekeyable 5 pin cylinder

QUANTITY DISCOUNT
300 UNITS MIXED ▶▶ LESS 5%
600 UNITS MIXED ▶▶ LESS 10%





CLIPPER Series List Price

RESIDENTIAL DEADBOLTS A156.36, GRADE 3

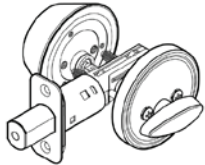
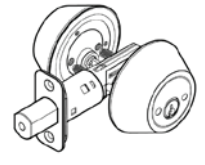
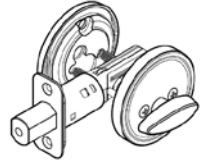
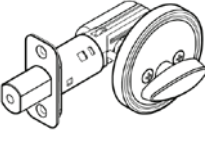


MEETS
The Buy American Act

► **KEYWAYS (STD, "KW" 5-PIN KWIKSET) OPTIONAL 5-PIN SCHLAGE "C" & WEISER**

- All deadbolts are available with **Schlage "C"** and **Weiser** keyway on special factory order with no additional charge, or from stock with additional charges. See below.
- **SCHLAGE "C" KEYWAY OPTION:** For immediate stock shipment **add \$5.60 List** for single and double cylinder deadbolts. Prefix "C" before Part # (Ex: CLP500 with C keyway is CCLP500)
- **WEISER KEYWAY OPTION:** For immediate stock shipment **add \$5.60 List** for single and double cylinder deadbolts. Prefix "W" before Part # (Ex: CLP500 with Weiser keyway is WCLP500)
- Prefix "UL" before Part # when ordering UL Listed. **Add \$7.37 to List.**

STOCK ITEM PRICES IN BOLD
NON-STOCK FINISHES AND DESIGNS AVAILABLE WITH FACTORY LEAD TIME AND SUBJECT TO MINIMUM ORDER

	FUNCTIONS	ITEM #	US15, 26D	US11P	US1	US3	US5	PCS / MC
	Single Cylinder Deadbolt	CLP500	\$28.63	\$31.86	\$31.86	\$26.40	\$28.63	24
	Double Cylinder Deadbolt	CLP400	34.80	38.68	38.68	32.09	34.80	24
	One Sided Deadbolt with Cover	CLP801	23.97	26.63	26.63	22.04	23.97	24
	One Sided Deadbolt	CLP701	15.44	17.16	17.16	14.22	15.44	24

► **DEADBOLT PACKAGING INCLUDES:**

- 2 3/8" or 2 3/4" 4-way adjustable backset, size 1" x 2 1/4" round corner standard, convertible to drive-in latch. Square corner face plate and 5" round corner backsets optional
- Deadbolts packed with 1" x 2 1/4" square corner strike standard
- Optional round corner full lip strike also available
- Security strike (1 1/4" x 3 5/8" x 1/4" radius) with 3" screws available with an additional charge
- Kwikset rekeyable 5 pin cylinder

QUANTITY DISCOUNT
300 UNITS MIXED ►► **LESS 5%**
600 UNITS MIXED ►► **LESS 10%**





LOCKSETS PRICE LIST

Effective | APR 2025

► ADDITIONAL PARTS AND CHARGES FOR LEGACY AND CLIPPER SERIES

◆◆ STANDARD DISCOUNT ONLY ◆◆				
ILLUSTRATION	ITEM#	DESCRIPTION	LIST PRICE	
	LGGEN-5 US32D	5" Entrance Deadlatch Round Corner for Legacy Series	\$9.86	
	LGGEN-5 US11P			
	LGPA-5 US32D	5" Privacy / Passage Spring Latch Round Corner for Legacy Series		
	LGPA-5 US11P			
	LGST-5 US32D	5" Storeroom Dead Latch Round Corner for Legacy Series		
	LGST-5 US11P			
	LGDB-5 US32D	5" Deadbolt Latch Round Corner for Clipper Series		
	LGDB-5 US11P			
	LGGEN-1 US32D	Adjustable Entrance 4-Way Dead Latch 2 3/8" or 2 3/4" Round Corner w/ Drive-in Collar for Legacy Series		5.67
	LGGEN-1 US11P			
	LGPA-3 US32D	Adjustable Privacy / Passage 4-Way Spring Latch 2 3/8" or 2 3/4" Round Corner w/ Drive-in Collar for Legacy Series		
	LGPA-3 US11P			
	LGDB-2 US32D	Adjustable 4-Way Deadbolt Latch 2 3/8" or 2 3/4" Round Corner w/ Drive-in Collar for Clipper Series	6.59	
	LGDB-2 US11P			
	LGSCEN-9 US32D	Square Corner Faceplate for Storeroom / Entrance Legacy Series	0.72	
	LGSCEN-9 US11P			
	LGSCPP-8 US32D	Square Corner Faceplate for Privacy / Passage Legacy Series		
	LGSCPP-8 US11P			
	LGSCDB-7 US32D	Square Corner Faceplate for Deadbolt Clipper Series		
	LGSCDB-7 US11P			
ULLGEN SERIES - USE FOR LEGACY LEVERS AND CLIPPER DEADBOLTS ONLY				
	ULLGEN-1 US15	UL-Listed Adjustable Dead Latch 2 3/8" or 2 3/4" with round corner faceplate for Entrance and Storeroom Leversets		8.85
	ULLGEN-1 US11P			
	ULLGPAS-3 US32D	UL-Listed Adjustable Spring Latch 2 3/8" or 2 3/4" with round corner faceplate for Privacy and Passage Leversets		
	ULLGPAS-3 US11P			
	ULLGDB-2 US10B	UL-Listed Adjustable Deadbolt Latch 2 3/8" or 2 3/4" for Deadbolts	9.64	
	ULLGDB-2 US11P			
	ULLGDB-2 US15			



ATSI Technical Services, Inc.
6174 State Route 88, Finleyville, PA 15332



LOCKSETS PRICE LIST

Effective | APR 2025

▶ ADDITIONAL PARTS AND CHARGES FOR LEGACY AND CLIPPER SERIES

◆◆ STANDARD DISCOUNT ONLY ◆◆			
ILLUSTRATION	ITEM#	DESCRIPTION	LIST PRICE
	TS	T-Strike	\$3.18
	FLS	Full Lip Strike	
	DBFLS	Deadbolt Full Lip Strike, Round Corner	2.27
	ASAST	ANSI ASA Strike (US3, 26D, 26)	3.23
		ANSI ASA Strike (US10B, 10)	4.84
	EXASA-175	Extended Lip ANSI Strike 1 3/4" Lip Extension from Screw Center Line (US32D, DURO)	29.09
	SS114358	Security Strike 1 1/4" x 3 5/8", 1/4" Radius with 2pcs each of 3" and 1 1/4" Screws (US3, 5, 15, 26D, 10B)	4.30
	K1-KEY	Blank Keys K1	1.00
	KEYS	Extra Cut Keys	2.34
	LFA18	Latch Front Adapter To Convert 1" Faceplate To 1 1/8" Wide Door Preparation	0.43
	PDBFLS	Plastic Dust box for Full Lip Strike, 1" x 2 1/8", 7/16" Depth	1.98
	PDB1214	Plastic Dust box for Residential Deadbolt Strike, 15/16" x 2 1/8", 1" Depth	
	PDBTS	Plastic Dust box for T-Strike, 1 1/16" x 2 3/4", 1/2" Depth	
	PDB118234	Plastic Dust box for Deadbolt T2STRK Strike, 1 1/16" x 2 3/4", 1" Depth	
	PDB478	Plastic Dust box for ASA Strike, 1 3/16" x 4 7/8", 15/16" Depth	3.90
◆ KEYING KITS			
	KKWI200	Keying Kit - KWI Keyway	168.68
◆ MOUNT			
	RESMOUNT	3 Hole Mount For Residential Locks	103.34

KEYING CHARGES		◆◆ STANDARD DISCOUNT ONLY ◆◆
ITEM #	DESCRIPTION	LIST PRICE
KARES	Key alike	\$3.47
MKRES	Master key (Including KA charges)	4.40
CMKRES	Builder construction master key (Including KA & MK Charges)	6.10
GMKRES	Grand master key (Including KA, MK)	7.88



ATSI Technical Services, Inc.
6174 State Route 88, Finleyville, PA 15332

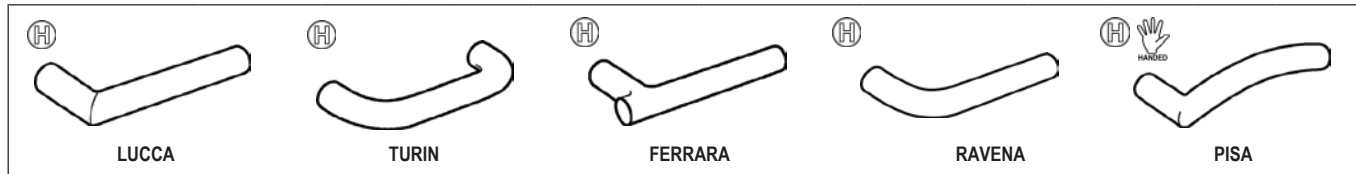
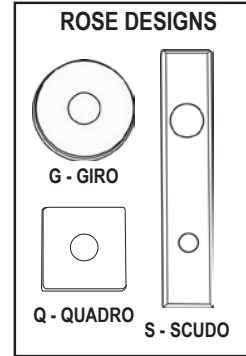


ITALIA Series List Price

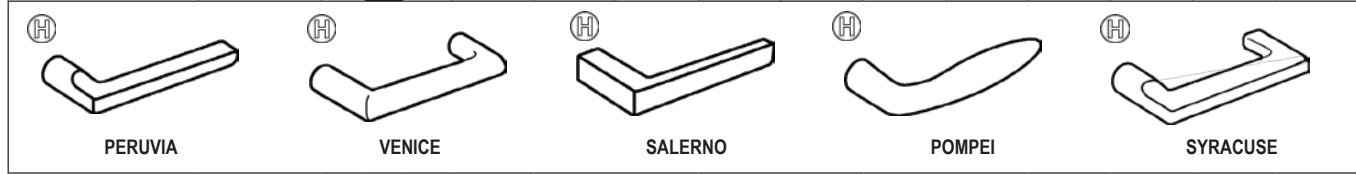
STAINLESS STEEL LOCKSETS, KNOBSETS, ESCUTCHEONS, ANSI STANDARD A156.2, GRADE 3

STOCK ITEM PRICES IN BOLD
NON-STOCK FINISHES AND DESIGNS AVAILABLE WITH FACTORY LEAD TIME AND SUBJECT TO MINIMUM ORDER

HOW TO ORDER					
DDD-FFB-[H]R US32X					
DESIGN (ddd)	FUNCTION (FF)	BACKSET (b)	HANDING (H)	ROSE (R)	FINISH (US32X)
See Lever / Knob designs in the table below	00 - Entrance 20 - Privacy 30 - Passage 40 - Single Dummy	8 - 2 3/8" (standard) 4 - 2 3/4"	L - Left Hand R - Right Hand SPECIFY for Handed Levers or Scudo Privacy	G - Giro Q - Quadro S - Scudo	US32D - Satin SS US32 - Polished SS US1 - Black



LEVER DESIGNS	FUNCTION + 2 3/8" BACKSET STD			HANDING	ROSE DESIGN									PCS / MC					
					G (ROUND)			Q (SQUARE)			S (ESCUTCHEON)			Q	S				
					US32D	US32	US1	US32D	US32	US1	US32D	US32	US1	G	S				
Lucca - LUC Turin - TUR Ferrara - FER Ravenna - RAV *Pisa - PIS	ENTRANCE w/ deadbolt	00	8	L / R *Handed										\$198.45	\$218.30	\$218.30		24	6
	PRIVACY	20	8		\$94.97	\$104.90	\$104.90	\$104.90	\$116.24	\$116.24	**172.94	**189.95	**189.95	24					
	PASSAGE	30	8		94.97	104.90	104.90	104.90	116.24	116.24	172.94	189.95	189.95						
	DUMMY (SINGLE)	40			51.03	56.70	56.70	56.70	62.37	62.37	86.47	94.97	94.97		36				



LEVER DESIGNS	FUNCTION + 2 3/8" BACKSET STD			HANDING	ROSE DESIGN									PCS / MC					
					G (ROUND)			Q (SQUARE)			S (ESCUTCHEON)			Q	S				
					US32D	US32	US1	US32D	US32	US1	US32D	US32	US1	G	S				
Peruvia - PER Venice - VEN Salerno - SAL Pompei - POM Syracuse - SYR	ENTRANCE w/ deadbolt	00	8	Non-handed										\$198.45	\$218.30	\$218.30		24	6
	PRIVACY	20	8		\$109.15	\$120.49	\$120.49	\$120.49	\$133.25	\$133.25	**172.94	**189.95	**189.95	24					
	PASSAGE	30	8		109.15	120.49	120.49	120.49	133.25	133.25	172.94	189.95	189.95						
	DUMMY (SINGLE)	40			55.28	60.95	60.95	60.95	66.62	66.62	86.47	94.97	94.97		36				

HANDED HOLLOW SOLID

◆◆ CONTINUED NEXT PAGE ◆◆

****Specify Handing when ordering**
Privacy function with Scudo rose design

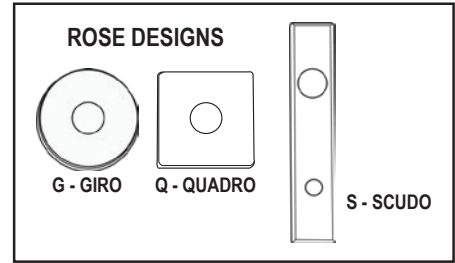
QUANTITY DISCOUNT
300 UNITS MIXED ►► LESS 5%
600 UNITS MIXED ►► LESS 10%





ITALIA Series List Price

STAINLESS STEEL LOCKSETS, KNOBSETS, ESCUTCHEONS, ANSI STANDARD A156.2, GRADE 3



				SIENA				LIVORNO				VICENZA				BRESCIA			
SOLID LEVER DESIGNS	FUNCTION + 2 3/4" BACKSET STD			HANDING	ROSE DESIGN									PCS / MC					
					G (ROUND)			Q (SQUARE)			S (ESCUTCHEON)			Q	S				
					US32D	US32	US1	US32D	US32	US1	US32D	US32	US1	G	S				
*Siena - SIE *Livorno - LIV *Vicenza - VIC Brescia - BRE	ENTRANCE w/ deadbolt	00	8	L / R*Handed										\$218.30	\$239.56	\$239.56			
	PRIVACY	20	8		\$123.32	\$136.08	\$136.08	\$136.08	\$148.84	\$148.84	**189.95	**208.37	**208.37	24	6				
	PASSAGE	30	8		123.32	136.08	136.08	136.08	148.84	148.84	189.95	208.37	208.37						
	DUMMY (SINGLE)	40			59.54	66.62	66.62	66.62	73.71	73.71	94.97	104.20	104.20	36					
				PADERNO				PAVIA				PALERMO							
KNOB DESIGNS	FUNCTION + 2 3/4" BACKSET STD			HANDING	ROSE DESIGN									PCS / MC					
					G (ROUND)			Q (SQUARE)			S (ESCUTCHEON)			Q	S				
					US32D	US32	US1	US32D	US32	US1	US32D	US32	US1	G	S				
Paderno - PAD Palermo - PAL Pavia - PAV	ENTRANCE w/ deadbolt	00	8	Non-handed										\$239.56	\$263.66	\$263.66			
	PRIVACY	20	8		\$133.25	\$146.00	\$146.00	\$146.00	\$160.18	\$160.18	**208.37	**229.64	**229.64	24	6				
	PASSAGE	30	8		133.25	146.00	146.00	146.00	160.18	160.18	208.37	229.64	229.64						
	DUMMY (SINGLE)	40			66.62	73.71	73.71	73.71	80.80	80.80	104.20	114.82	114.82	36					

► **STANDARD PACKAGING INCLUDES**

GIRO AND QUADRO ROSE STYLE LEVERSETS / KNOBSETS

- Non-handed 2 3/4" backset (2 1/4" x 1") square corner, standard
- Full lip strike round corner 1/4" radius, T-Strike, 1 1/8" x 2" square corner

SCUDO ESCUTCHEON STYLE

- Schlage "C" 5-pin cylinder on deadbolt (Entrance Function)
- Non-handed 2 3/4" backset (2 1/4" x 1") square corner, standard
- Full lip strike round corner 1/4" radius, T-Strike, 1 1/8" x 2" square corner

► **OPTIONS**

- Optional 2 3/4" backset
- See PARTS and ACCESSORIES page for options.

QUANTITY DISCOUNT

300 UNITS MIXED ►► LESS 5%

600 UNITS MIXED ►► LESS 10%

****Specify Handing when ordering**

Privacy function with Scudo rose design





LOCKSETS PRICE LIST

Effective | **APR 2025**

► ADDITIONAL PARTS & CHARGES FOR ITALIA SERIES

◆◆ STANDARD DISCOUNT ONLY ◆◆				
ILLUSTRATION	ITEM#	DESCRIPTION	UOM	LIST PRICE
	APS PVC	Anti-pry Shield PVC material	EACH	\$3.18
	APS ZINC	Anti-pry Shield Zinc material		
	CTPAS238	Passage 2 3/8" backset (fixed)	EACH	19.85
	CTPRI238	Privacy 2 3/8" backset (fixed)		
	CTPAS234	Passage 2 3/4" backset (fixed)		
	CTPRI234	Privacy 2 3/4" backset (fixed)		
	CTPRIPIN US32D	Privacy Pin Satin Stainless Steel Finish	EACH	1.91
	CTPRIPIN US32	Privacy Pin Polished Stainless Steel Finish		
	ALLENKEY	Allen Key	EACH	0.79
	EMRELPIN	Emergency Release Pin	EACH	0.63
	TS	T-Strike	EACH	3.18
	FLS	Full Lip Strike		
	ITA-FP US32D	Latch Face Plate Italia Series	EACH	0.80
	ITA-FP US32	Latch Face Plate Italia Series		
	ITA-SB	Plastic Strike Box Italia Series	EACH	1.98
	ITA-SETSCREW	M4 x 0.7 Lever / Knob set screws Italia Series	EACH	0.35
	ITA-SCREWPACK	8-32 x 1 1/2" Screws for lock body Italia Series (PAIR)	PAIR	0.72
	ITA-COMBISCREW	8-32 x 1" Combination metal-wood screws Italia Series (PAIR)		0.35

► For Keying charges see page L129.



ATSI Technical Services, Inc.
6174 State Route 88, Finleyville, PA 15332

Page
L113

• Office: 724-969-2595
• Cell/Text: 703-283-6192 • Fax: 413-677-7814
• Email: Sales@assatechnicalservicesinc.com



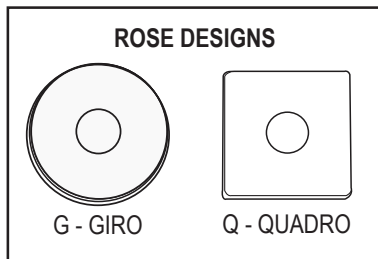
ITALIA Series List Price

STAINLESS STEEL MORTISE LOCKS, ANSI STANDARD A156.13, GRADE 1

STOCK ITEM PRICES IN BOLD
NON-STOCK FINISHES AND DESIGNS AVAILABLE WITH FACTORY LEAD TIME AND SUBJECT TO MINIMUM ORDER

FUNCTIONS	ANSI	FINISHES			PCS / MC
		US32D	US32	US19	
◀Single cylinder without deadbolt					
NM8050 - Office / Entrance	F04				6
NM8070 - Classroom	F05	\$425.45	\$463.74	\$463.74	
NM8080 - Storeroom	F07				
◀Single cylinder with deadbolt					
NM8453 - Entrance	F20	437.95	477.20	477.20	6
NM8456 - Corridor	F13				
NM8495 - Keyed Privacy with Indicator	----	540.21	540.21	540.21	
NM8465 - Closet / Storeroom with Deadbolt	----	433.90	476.78	476.78	
NM8473 - Dormitory / Bedroom	F21				
◀Double cylinder without deadbolt					
NM8082 - Asylum / Institution	F30	452.45	493.22	493.22	6
◀Double cylinder with deadbolt					
NM8466 - Storeroom	F14	452.45	493.22	493.22	6
◀Other Functions					
NM8440 - Privacy with Deadbolt	F19	410.24	447.23	447.23	6
NM8445 - Privacy with Deadbolt, Coin Turn & Indicator	F19B	516.56	563.10	563.10	
NM8010 - Passage	F01	366.35	399.39	399.39	

🔑 All keyed lock functions are available with **Best, Falcon and Arrow, Schlage, Corbin / Russwin, Sargent, and Yale Large Format Interchangeable Cores** (See page L17 for additional charges). Prices do not include cores. For IC Core pricing see pages L119 – L120. For Keying charges see page L129.



QUANTITY DISCOUNT

300 UNITS MIXED ▶▶ LESS 5%

600 UNITS MIXED ▶▶ LESS 10%

ORDERING FOR NM SERIES MORTISE LOCK

The Lever and Knob designs can also be used for our NM Series Mortise Locks. To order, refer to functions in the NM Series page and choose a function, indicate handing, lever / knob design, rose design (G or Q) and finish: **NMnnnnHH-ddd-r US32x**

e.g. :
To order NM8080 function LH in SIENA lever design with round rose in US32D finish use:

NM8080LH-SIE-G US32D





ITALIA Series List Price

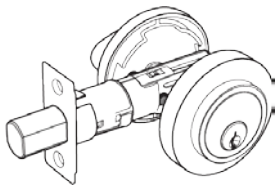
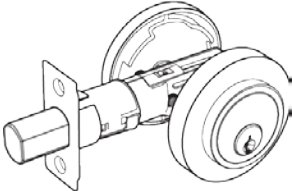
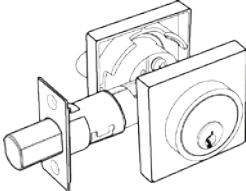
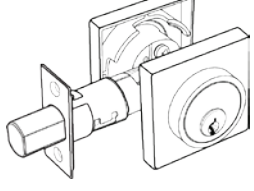
STAINLESS STEEL DEADBOLTS WITH GRADE 1 LATCH

ANSI STANDARD A156.36, GRADE 3

► KEYWAY standard 5-PIN SCHLAGE "C"

- Latch Bolt: Grade 1, 4-way Drive-In, Brass, Satin Nickel bolt
- Latch Backset: Adjustable 2 3/8 (60) and 2 3/4 (70)
- Handing: Non-Handed
- Latch Faceplate: 1" x 2 1/4" (25 x 57)
- Deadbolt Strike: 1 1/8" x 2 3/4" (29 x 70) square corner (standard)
- Security Strike: 1 1/8" x 2 3/4" x 3/32" (29 x 70 x 2) (standard)
- Keying service available

► DEADBOLT DESIGNS

			
RND-504 / RND-508 SINGLE CYLINDER	RND-404 DOUBLE CYLINDER	SQR-504 / SQR-508 SINGLE CYLINDER	SQR-404 DOUBLE CYLINDER
ROUND		SQUARE	

STOCK ITEM PRICES IN BOLD
NON-STOCK FINISHES AND DESIGNS AVAILABLE WITH FACTORY LEAD TIME AND SUBJECT TO MINIMUM ORDER

DEADBOLT ----- ITALIA SERIES

FUNCTIONS		ANSI	ITEM #	US32D	US32	US1	PCS / MC
Single Cylinder Round Deadbolt	for 1 3/4" Door Thickness	E0153	RND-504	\$72.29	\$79.38	\$79.38	18
	for 1 3/8" Door Thickness		RND-508				
Single Cylinder Square Deadbolt	for 1 3/4" Door Thickness	E0153	SQR-504				
	for 1 3/8" Door Thickness		SQR-508				
Double Cylinder Round Deadbolt	for 1 3/4" Door Thickness	E0143	RND-404	82.22	90.72	90.72	
Single Cylinder Round Deadbolt	for 1 3/4" Door Thickness		SQR-404				

► For Keying charges see page L129.

QUANTITY DISCOUNT
300 UNITS MIXED ►► LESS 5%
600 UNITS MIXED ►► LESS 10%





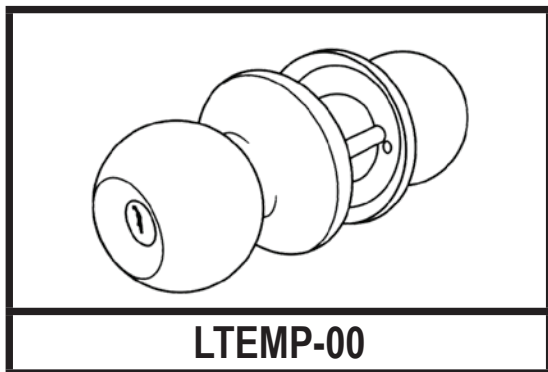
LTEMP-00 Series List Price

TEMPORARY LOCKSETS



► **KEYWAYS**

- All locksets are available with **Kwikset** keyway **Keyed Alike** only, not re-keyable
- **Temporary Lock Usage**
- For Wood and Metal Doors
- Fits 1 3/8" to 1 3/4" Thick doors
- Reversible for Right and Left Handed doors



QUANTITY DISCOUNT

300 UNITS MIXED ►► **LESS 5%**

600 UNITS MIXED ►► **LESS 10%**

STOCK ITEM PRICES IN BOLD
NON-STOCK FINISHES AND DESIGNS AVAILABLE WITH FACTORY LEAD TIME
AND SUBJECT TO MINIMUM ORDER

LTEMP ----- RENO DESIGN

ITEM #	FUNCTIONS	US32D	PCS / MC
LTEMP-00	Entry - KA (Keyed Alike)	\$16.31	36

► **PACKAGING INCLUDES**

- Adjustable steel 2 3/8" and 2 3/4" backset (2 1/4" x 1, 1/4" radius)
- Packed with full lip strike round corner, 1/4" radius
- Kwikset, not re-keyable





REPLACEMENT CYLINDERS . . .

- Made to Original Manufacturers' Keying Specifications
- All Cylinders drilled for 6-pins
- Can be keyed with original pins
- Packed with appropriate accessories

STANDARD DISCOUNT ONLY

ILLUSTRATION	ITEM#	DESCRIPTION	KEYED	LIST PRICE EA	FINISH
KEY-IN-KNOB/LEVER & DEADBOLT CYLINDER (Packed with tailpiece assortment pack)					
<p>TAILPIECE ASSORTMENT PACK INCLUDED</p>	KKARA-4	6-pin Arrow "A"	5-pin	\$20.06	US26D
	KKC59-4	6-pin Corbin 60 Russwin 59	5-pin		
	KKCL4-4	6-pin Corbin L1 thru L4	6-pin		
	KKKW5-4	6-pin Kwikset	5-pin		
	KKRD1-4	6-pin Russwin D-1 thru 4	6-pin		
	KKSCC-4	6-pin Schlage "C"	6-pin		
	KKSCE-4	6-pin Schlage "E"	6-pin		
	KKSCF-4	6-pin Schlage "F"	6-pin		
	KKSCP-4	6-pin Schlage C-K	5-pin		
	KKSLA-4	6-pin Sargent "LA" thru "LC"	6-pin		
	KKSRA-4	6-pin Sargent "RA"	6-pin		
	KKWFE-4	6-pin Weiser / Falcon "E"	5-pin		
	KKYA8-4	6-pin Yale 8 (E1R)	5-pin		
KKYGA-4	6-pin Yale "GA"	6-pin			
1-1/4" MORTISE CYLINDERS (Packed with Adams Rite and Yale Cams)					
<p>ADAMS RITE AND YALE CAMS INCLUDED</p>	KMARA-4	6-pin Arrow "A"	5-pin	27.79	US26D
	KMC59-4	6-pin Corbin 60 Russwin 59	5-pin		
	KMCL4-4	6-pin Corbin L1 thru L4	6-pin		
	KMKW5-4	6-pin Kwikset	5-pin		
	KMRD1-4	6-pin Russwin D-1 thru 4	6-pin		
	KMSCC-4	6-pin Schlage "C"	6-pin		
	KMSCE-4	6-pin Schlage "E"	6-pin		
	KMSCF-4	6-pin Schlage "F"	6-pin		
	KMSCP-4	6-pin Schlage C-K	5-pin		
	KMSLA-4	6-pin Sargent "LA" thru "LC"	6-pin		
	KMSRA-4	6-pin Sargent "RA"	6-pin		
	KMWFE-4	6-pin Weiser / Falcon "E"	5-pin		
	KMYA8-4	6-pin Yale 8 (E1R)	5-pin		
KMYGA-4	6-pin Yale "GA"	6-pin			

► For Keying charges see page L129





CYLINDERS / KEYS & KEYING

PRICE LIST *Effective* | **APR 2025**

REPLACEMENT CYLINDERS . . . **STANDARD DISCOUNT ONLY**

- Made to Original Manufacturers' Keying Specifications
- Can be keyed with original pins
- All Cylinders drilled for 6-pins
- Packed with appropriate accessories

ILLUSTRATION	ITEM#	DESCRIPTION	KEYED	LIST EA	FINISH
MORTISE CYLINDER CAMS					
	KC-S1	Mortise Cylinder Adams Rite Cam		\$1.14	---
	KC-S3	Mortise Cylinder Yale Mortise Lock Cam			
	KC-S4	Mortise Cylinder Russwin Mortise Lock Cam			
	KC-S5	Mortise Cylinder Falcon Mortise Lock Cam			
	KC-S6	Mortise Cylinder Cal-Royal Panic Trim Cam		1.49	
	KC-S7	Mortise Cylinder CRP Mortise Lock -- (SC Series)			
	KC-S9	Mortise Cylinder NESC Panic Trim			

MORTISE CYLINDER ACCESSORIES					
 THMBMORT100	THMBMORT100	1" Mortise Cylinder with Thumbturn		19.91	US26D
				20.70	US10B,3
 BLNKMORT100	BLNKMORT100	1" Blank Mortise Cylinder		19.91	US26D
				20.70	US10B,3
 MCCR1814 MCCR3812	MCCR1814	Mortise Cylinder Compression Ring 1/8" to 1/4"		12.69	US26D, US10B, 3
	MCCR3812	Mortise Cylinder Compression Ring 3/8" to 1/2"			
 CGR175	CGR175	Cylinder Guard Ring 1 3/4" base and 1/2" projection with Wave Washer and Spacing Collar		8.09	US26D, 10B US3, 4
				8.49	US15
 MCRC250	MCRC250	Free Spinning Cylinder Guard Ring 1/4"		4.59	US26D, US15, US10B, 3

ILLUSTRATION	ITEM#	DESCRIPTION	KEYED	LIST EA	FINISH
RIM CYLINDERS					
 MOUNTING PLATE AND SCREWS INCLUDED	KR-AR-A	Arrow "A"	5-pin	27.79	US26D
	KR-C-59	Corbin 60 Russwin 59	5-pin		
	KR-C-L4	Corbin L1 thru L4	6-pin		
	KR-KW-5	Kwikset	5-pin		
	KR-R-D1	Russwin D-1 thru 4	6-pin		
	KR-SC-C	Schlage "C"	6-pin		
	KR-SC-E	Schlage "E"	6-pin		
	KR-SC-F	Schlage "F"	6-pin		
	KR-SC-P	Schlage C-K	5-pin		
	KR-S-LA	Sargent "LA" thru "LC"	6-pin		
	KR-S-RA	Sargent "RA"	6-pin		
	KR-WF-E	Weiser / Falcon "E"	5-pin		
	KR-YA-8	Yale 8 (E1R)	5-pin		
	KR-Y-GA	Yale "GA"	6-pin		

► For Keying charges see page L129



ATSI Technical Services, Inc.
6174 State Route 88, Finleyville, PA 15332

• Office: 724-969-2595
• Cell/Text: 703-283-6192 • Fax: 413-677-7814
• Email: Sales@assatechnicalservicesinc.com



RIM AND MORTISE CYLINDERS . . .

STANDARD DISCOUNT ONLY

6-pin SCHLAGE "C" KEYWAY MORTISE AND RIM CYLINDERS				
ILLUSTRATION	ITEM #	DESCRIPTION	FINISH	LIST PRICE (EACH)
	CX96RIMKD	6-pin Schlage "C" keyway 1 1/8" Rim Cylinder with mounting plate & screws	US26D	19.91
			US10B, 3	20.70
	AMORTCYL118	6-pin Schlage "C" Keyway Mortise Cylinder 1 1/8" length, with ADAMS RITE cam	US26D	19.91
			US10B, 3	20.70
	AMORTCYL114	6-pin Schlage "C" Keyway Mortise Cylinder 1 1/4" length, with ADAMS RITE cam	US26D	19.91
			US10B, 3	20.70
	CMORTCYL118	6-pin Schlage "C" Keyway Mortise Cylinder 1 1/8" length, with CLOVER LEAF cam	US26D	19.91
			US10B, 3	20.70
	CMORTCYL114	6-pin Schlage "C" Keyway Mortise Cylinder 1 1/4" length, with CLOVER LEAF cam	US26D	19.91
			US10B, 3	20.70
US19	22.78			
6-pin SCHLAGE "C" KEYWAY EUROPEAN PROFILE MORTISE CYLINDERS				
<p>SINGLE CYLINDER</p> <p>DOUBLE CYLINDER</p> <p>SINGLE CYLINDER WITH TURN</p> <p>BATHROOM CYLINDER</p>	KE-SCC-S-A	Single Cylinder 45mm Schlage "C", 6-pin rekeyable	US15	25.30
	KE-SCC-D-C	Double Cylinder 60mm Schlage "C", 6-pin rekeyable		27.08
	KE-SCC-D-D	Double Cylinder 70mm Schlage "C", 6-pin rekeyable		30.69
	KE-SCC-C-C	Single Cylinder with turn 60mm Schlage "C", 6-pin rekeyable		30.69
	KE-SCC-C-D	Single Cylinder with turn 70mm Schlage "C", 6-pin rekeyable		34.23
	KE-P-C	Bathroom Cylinder 60mm		22.96
	KE-P-D	Bathroom Cylinder 70mm		26.24
EASY REMOVABLE SCREW FOR RE-KEYING				

► For Keying charges see page L129





CYLINDERS / KEYS & KEYING

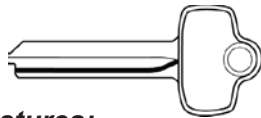
PRICE LIST *Effective* | **APR 2025**

BEST / FALCON 6 & 7-PIN SMALL FORMAT INTERCHANGEABLE CORES (SFIC) HOUSING & KEY BLANKS

KEY SECTIONS (A, B, C, D, E, F, G, H, J, K, L, M, Q, TB)

*All above keyways in stock for immediate shipment

MEETS
The Buy American Act



STANDARD DISCOUNT ONLY

Features:

- Operates on Best / Falcon Small Format Interchangeable Cores locksets, deadbolts, rim and Mortise cylinders
- Operates on all of Cal-Royal's keyed locksets prepared for small format Best / Falcon A, B, C, D, E, F, G, H, J, K, L, M, Q, TB keyways

KEY SECTIONS	UNCOMBINATED	LIST EA.	MASTER KEYED	LIST EA.	KEY BLANKS	LIST EA.		
A B	*6PUC A (6-pins)	US4, US26D \$22.96	6PCCA-MK (6-pins)	US4, US26D \$41.74	KBSF-A	NICKEL PLATED \$1.20		
	*7PUC A (7-pins)		7PCC A-MK (7-pins)		KBSF-B			
7PUC B (7-pins)	7PCC B-MK (7-pins)		KBSF-C					
	C D		7PUC C (7-pins)		7PCC C-MK (7-pins)		KBSF-D	
7PUC D (7-pins)			7PCC D-MK (7-pins)		KBSF-E			
E F	7PUC E (7-pins)		7PCC E-MK (7-pins)		KBSF-F			
	7PUC F (7-pins)		7PCC F-MK (7-pins)		KBSF-G			
G H	7PUC G (7-pins)		7PCC G-MK (7-pins)		KBSF-H			
	7PUC H (7-pins)		7PCC H-MK (7-pins)		KBSF-J			
J K L	7PUC J (7-pins)		7PCCA US19 in stock - \$25.26		7PCC J-MK (7-pins)		7PCC A-MK US4, US26D in stock - \$45.91	KBSF-K
	7PUC K (7-pins)		7PCC K-MK (7-pins)		KBSF-L			
	7PUC L (7-pins)		7PCC L-MK (7-pins)		KBSF-M			
M Q TB	7PUC M (7-pins)	7PCC M-MK (7-pins)	KBSF-Q					
	7PUC Q (7-pins)	7PCC Q-MK (7-pins)	KBSF-TB					
	7PUC TB (7-pins)	7PCC TB-MK (7-pins)						

ILLUSTRATION	ITEM #	DESCRIPTION	FINISH	LIST EA.
	308-602	Best / Falcon and Arrow 6 / 7-pin Small Format Interchangeable Core Rim Cylinder with mounting plate & screws	US26D	\$34.45
			US10B, 3	36.00
	307-601	Best / Falcon and Arrow 6 / 7-pin Small Format Interchangeable Core Mortise Cylinder, with ADAMS RITE cam, 1 1/4"	US26D	34.45
			US10B, 3	36.00
			US19	39.60
	ICH961387	Best / Falcon and Arrow 6 / 7-pin Small Format Interchangeable Core Mortise Cylinder, CLOVER LEAF cam 1 1/4" length. To be used with Cal-Royal NM Series mortise locks	US26D	45.92
			US10B, 3	47.57
ITEM # CONSTRUCTION CORES				
ICCC	Temporary 6-pin construction cores are available. Construction cores will be charged on a separate memo billing for 6 months. \$41.74 List Each. On return to the factory credit will be issued.			
ICCC7	Temporary 7-pin construction cores are available. Construction cores will be charged on a separate memo billing for 6 months. \$41.74 List Each. On return to the factory credit will be issued.			
ICPTT	Plastic thumb turns available for non-secured areas. \$7.94 List Each.			

► Standard Master Key Cylinders see above pricing. For other Keying charges see page L129.



ATSI Technical Services, Inc.
6174 State Route 88, Finleyville, PA 15332

Page
L119

• Office: 724-969-2595
• Cell/Text: 703-283-6192 • Fax: 413-677-7814
• Email: Sales@assatechnicalservicesinc.com



CYLINDERS / KEYS & KEYING

PRICE LIST *Effective* | **APR 2025**

LARGE FORMAT 6-Pin INTERCHANGEABLE CORE (LFIC) & HOUSING

Features:

- Operates on all **Schlage, Sargent, Russwin, Yale Large Format Interchangeable Cores** locksets, deadbolts, rim and mortise cylinders.
- Operates on Cal-Royal's Commander Grade 2 leversets with large format, Genesys Grade 1 leversets with large format IC Core, T220 Series deadbolts with large format IC Core.

STANDARD DISCOUNT ONLY

ILLUSTRATION	ITEM #	DESCRIPTION	FINISH	LIST PRICE (EA.)
	3000 ICC	6-pin "C" keyway combined Schlage large format IC core cylinder KA# 111111 with "C" keys	US3, US26D	\$57.33
	4000ICCK	6-pin "C-K" keyway combined Schlage large format IC core cylinder KA# 111111 with "E" keys		
	5000ICE	6-pin "E" keyway combined Schlage large format IC core cylinder KA# 111111 with "E" keys		
	1000ICC	6-pin "C" keyway combined Schlage large format IC core cylinder KD and MK		
	2000 ICC	Temporary 6-pin Schlage large format IC Core Construction Cores (Keyed Alike) will be charged on a separate memo billing for 6 months. On return to the factory credit will be issued.		75.34
	KL-LAD-SA	Sargent LA-LB-LC LFIC 6-pin Uncombined	US26D	63.44
	KL-RD1-CR	Corbin / Russwin D1-D4 LFIC 6-pin Uncombined		
	KL-YGA-YA	YALE GA LFIC 6-pin Uncombined		

LARGE FORMAT 6-pin INTERCHANGEABLE CORE MORTISE AND RIM CYLINDERS

	6000ICMA	Schlage Large Format Interchangeable Core Mortise Cylinder (1 1/2" long), with Adams Rite Cam	US3, US10B, US26D	46.92
	7000ICMC	Schlage Large Format Interchangeable Core Mortise Cylinder (1 1/2" long), with Cloverleaf Cam To be used with Cal-Royal NM Series Mortise locks. Can also be used with Cal-Royal SC Series Mortise locks (with LFCAMSCHL-7 Schlage Cam).		
	8000 ICRIM	Schlage Large Format Interchangeable Core Rim Cylinder with mounting plate and screws		
	KM-LFH-SA	Sargent Large Format Interchangeable Core Mortise Cylinder (1 1/2" long), with Adams Rite Cam OPTIONAL RIM PACK	US26D	46.92
	KM-LFH-CR	Corbin / Russwin Large Format Interchangeable Core Mortise Cylinder (1 1/2" long), with Adams Rite Cam OPTIONAL RIM PACK		
	KM-LFH-YA	YALE Large Format Interchangeable Core Mortise Cylinder with Adams Rite Cam 1 1/2" long OPTIONAL RIM PACK		
	RIM PACK	Mortise-Rim Combo component parts pack	---	3.47

Other CAMS available. See HSK Accessories pages L123 - L125

► For Keying charges see page L129



ATSI Technical Services, Inc.
6174 State Route 88, Finleyville, PA 15332

Page
L120

• Office: 724-969-2595
• Cell/Text: 703-283-6192 • Fax: 413-677-7814
• Email: Sales@assatechnicalservicesinc.com



RESTRICTED KEY CONTROL REPLACEMENT CYLINDERS LIST Price

- Provide restricted key control by utilizing the HSK patented key control system
- Can be MASTER KEYED and / or KEYED ALIKE in combination with HSK HIGH SECURITY CYLINDERS
- Refer to HSK Pricelist for keying changes

STANDARD DISCOUNT ONLY

ILLUSTRATION	ITEM#	DESCRIPTION	LIST PRICE	FINISH	
6-pin, 0-BITTED KEY-IN-KNOB / LEVER & DEADBOLT REPLACEMENT CYLINDERS					
	KKCRL-6	Key-In-Knob / Lever Replacement Cylinder 6-pin "0 Bitted" Includes 2 Standard keys / Lever Tailpiece (other tailpieces available)	\$33.17	US26D	
	KKCRLSD-6	Single Cylinder Deadbolt Replacement Cylinder 6-pin "0 Bitted" Includes 2 keys			
	KKCRLDD-6	Double Cylinder Deadbolt Replacement Cylinder (2 required) 6-pin "0 Bitted" Includes 2 keys	66.34 / set of 2		
7-pin, UNCOMBINATED REPLACEMENT CYLINDER / SMALL FORMAT IC CYLINDERS					
	7PUCCRS	Uncombined Small Format Interchangeable Core Conventional SFIC, 7-pin Does not include keys	42.81		
6-pin, 0-BITTED MORTISE / RIM CYLINDERS					
	KMCRL-4	1 1/4" 6-pin "0 Bitted" Mortise Cylinder, comes with Adams Rite Cam. Other cams are available as HSK Includes 2 keys. OPTIONAL RIM PACK	47.91		
	RIM PACK	Mortise-Rim Combo component parts pack	3.47		
KEY BLANKS					
	KBCRL-6	Key Blanks for use with Full Size replacement cylinders 50 pieces per box	3.12		
	KBCRS-7	Key blanks for use with 7PUCCRS Small Format Interchangeable Cores. 50 pieces per box			
TAILPIECE KIT					
	KT-H-PK	<ul style="list-style-type: none"> • KIKLCAP-01 • KIKLCAP-02 • LZTPSD-01 • LZTPDD-01 • LZTPDD-02 • TPWASHER • KIKLZTP-01 • KIKLZTP-02 • KIKLZTP-03 • KIKLZTP-04 • KIKLZTP-05 • KIKLZTP-06 	11.90	---	

► For Keying charges see page L129





CRP HSK HIGH SECURITY *List Price*

EXCLUSIVE PATENTED SIDE BAR KEYWAY

STANDARD DISCOUNT ONLY

MEETS
The Buy American Act

ILLUSTRATION	ITEM #	DESCRIPTION	LIST PRICE EA.	FINISH
	KIKL5 (Includes 2 Keys and all Tailpieces & Caps shown)	Universal 5-pin Grade 3 0-bitted OB Key-In-Knob / Lever & Deadbolt Cylinder	\$61.95	US26D, US3
		Universal 5-pin Keyed Different KD Grade 3 Key-In-Knob / Lever & Deadbolt Cylinder	68.60	
	KIKL6 (Includes 2 Keys and all Tailpieces & Caps shown)	UL-Listed Universal 6-pin 0-bitted OB Key-In-Knob / Lever & Deadbolt Cylinder	61.95	
		UL-Listed Universal 6-pin Keyed Different KD Key-In-Knob / Lever & Deadbolt Cylinder	68.60	
	ULKIKL (Includes 2 Keys and all Tailpieces & Caps shown)	ANSI / BHMA A156.30 Certified & UL-Listed Universal 6-pin 0-bitted OB Key-In-Knob / Lever & Deadbolt Cylinder	84.06	
		ANSI / BHMA A156.30 Certified & UL-Listed Universal 6-pin Keyed Different KD Key-In-Knob / Lever & Deadbolt Cylinder	88.45	
	LFIC6 (Includes 2 Keys)	6-pin 0-bitted OB Schlage Large Format Interchangeable Core	87.75	
		6-pin Keyed Different KD Schlage Large Format Interchangeable Core	98.09	
	ULLFIC6 (Includes 2 Keys)	ANSI / BHMA A156.30 Certified & UL-Listed 6-pin "A" 0-bitted OB Schlage Large Format Interchangeable Core	109.15	
		ANSI / BHMA A156.30 Certified & UL-Listed 6-pin "A" Keyed Different KD Schlage Large Format Interchangeable Core	115.74	
	SFIC7 (Includes 2 Keys)	7-pin 0-bitted OB Small Format Interchangeable Core Cylinder	72.29	
		7-pin Keyed Different KD Small Format Interchangeable Core Cylinder	80.38	
	ANSFIC7 (Includes 2 Keys)	ANSI / BHMA A156.30 Certified 7-pin 0-bitted OB "A" Small Format Interchangeable Core Cylinder	91.44	
		ANSI / BHMA A156.30 Certified 7-pin 0-bitted KD "A" Small Format Interchangeable Core Cylinder	96.60	
<p>Adams Rite Cam Standard</p> <p>RIM PACK</p>	MRC114 (Includes 2 Keys)	6-pin 1 1/4" 0-bitted OB Mortise-Rim Combination Cylinder Rim Pack Included	72.29	US26D
		6-pin 1 1/4" 0-bitted KD Mortise-Rim Combination Cylinder Rim Pack Included	79.66	
	ULMRC114 (Includes 2 Keys)	ANSI / BHMA A156.30 Certified & UL-Listed 6-pin 1 1/4" "A" 0-bitted OB Mortise-Rim Combination Cylinder (Rim Pack Included)	91.44	
		ANSI / BHMA A156.30 Certified & UL-Listed 6-pin 1 1/4" "A" Keyed Different KD Mortise-Rim Combination Cylinder (Rim Pack Included)	97.31	
	MRC118 (Includes 2 Keys)	6-pin 1 1/8" 0-bitted OB Mortise-Rim Combination Cylinder Rim Pack Included	72.29	
		6-pin 1 1/8" Keyed Different KD Mortise-Rim Combination Cylinder (Rim Pack Included)	79.66	
	ULMRC118 (Includes 2 Keys)	ANSI / BHMA A156.30 Certified & UL-Listed 6-pin 1 1/8" "A" 0-bitted OB Mortise-Rim Combination Cylinder (Rim Pack Included)	91.44	
		ANSI / BHMA A156.30 Certified & UL-Listed 6-pin 1 1/8" "A" Keyed Different KD Mortise-Rim Combination (Rim Pack Included)	97.31	
MRCLFIC-2-H	Mortise-Rim Combination Large Format IC Housing Adams Rite Cam Standard (Rim Pack Included)	50.90		
MRCSFIC-1-H	ANSI / BHMA A156.30 Certified Mortise-Rim Combination Small Format IC Housing Adams Rite Cam Standard (Rim Pack Included)			
	KBL5	5-pin sidebar keyway Key Blank For Key-In-Knob / Lever, Schlage LFIC and Mortise / Rim Cylinders	6.95	
	KBL6	6-pin sidebar keyway Key Blank For Key-In-Knob / Lever, Schlage LFIC and Mortise / Rim Cylinders		
	KBLSF7	7-pin sidebar keyway Key Blank For Small Format Interchangeable Core		
	KCK6	Schlage LFIC, 6-pin Key-In-Knob / Lever and Mortise / Rim Cylinder sidebar keyway Control Key		

► For Keying charges see page L129

Standard **Schlage** Pinning kits are used for all cylinders except for Small Format, which uses Best pinning kits





CRP HSK HIGH SECURITY *List Price*

ACCESSORIES

STANDARD DISCOUNT ONLY

MEETS
The Buy American Act

ILLUSTRATION	ITEM #	DESCRIPTION	PACK QUANTITY	LIST PRICE/PACK
MORTISE-RIM CYLINDER COMBO and Small Format IC Housing COMPONENTS (NON-UL)				
	CAMADAM-1	Adams Rite Cam	5	\$3.18
	CAMYALE-2	Yale Wide Cam		
	CAMYALE-2A	Yale Standard Cam		
	CAMRUSS-3	Corbin Russwin Cam		
	CAMFLCN-4	Falcon Cam		
	CAMCRP-5	Cal-Royal Cam (for Storeroom function)		
	CAMCRP-6	Cal-Royal NM Series Mortise Lock Cam		
	CAMSCHL-7	Schlage Cam		
	CAMSGNT-8	Sargent Offset Cam		
CAMSCREW	Cam Screw	25	3.33	
MORTISE AND KIKL CYLINDER COMPONENTS (NON-UL)				
	SIDEBAR-1	Side Bar	10	9.64
	SPIN1	Side Pin #1	10	9.92
	SPIN2	Side Pin #2		
	SPIN3	Side Pin #3		
	SPIN4	Side Pin #4		
	SIDEBARSPRING	Spring for Side Bar	20	1.20
	KIKSPRING	Spring for Screw Cap	25	2.27
	MRTPINSPRING	Mortise Pin Spring	50	2.98
	KIKPINSPRING	Top Pin Spring		
	LZTPSD-01	Lazy Tailpiece Long for Single Cylinder	10	14.18
	LZTPDD-01	Lazy Tailpiece Short for Double Cylinder Black		2.98
	LZTPDD-02	Lazy Tailpiece Short for Double Cylinder Gold	10	5.82
	TPWASHER	Black Washer to retain Long Tailpiece LZTPSD-01	10	5.82
	KIKLZTP-01	Lazy Tailpiece for Knob / Lever 5/8"	5	7.23
	KIKLZTP-02	Lazy Tailpiece for Knob / Lever 5/8"		
	KIKLZTP-03	Lazy Tailpiece for Knob / Lever 7/8"		
	KIKLZTP-04	Lazy Tailpiece for Knob / Lever 15/16"		
KIKLZTP-05	Lazy Tailpiece for Knob / Lever 1 5/32"			
KIKLZTP-06	Lazy Tailpiece for Knob / Lever 1 5/32" Narrow Tip			
	ALLNSCRW-BLK	Allen Screw Black	25	3.33
	KIKPIN	Pin for Screw Cap		43.88
	KIKLCAP-01	KIKL Cap Long	10	31.61
	KIKLCAP-02	KIKL Cap Short		26.72
	MSHRMTPIN	Mushroom Top Pin	50	9.64
	RIM PACK	Mortise-Rim Combo component parts pack	1	3.47
SMALL FORMAT INTERCHANGEABLE CORE (SFIC) CYLINDER HOUSING COMPONENTS				
	SFICSPIN1	SFIC Side Pin #1	10	9.92
	SFICSPIN2	SFIC Side Pin #2		
	SFICSPIN3	SFIC Side Pin #3		
	SFICSIDEBAR	SFIC Side Bar	25	9.64
	SFICCCCLIP	SFIC "C" Clip		8.51
	SFICSBSPR	SFIC Side Bar Spring		1.49
	SFICALLNSCRW	SFIC Allen Screw		23.60
	SFICSPR	SFIC Pin Spring		50

Standard Schlage Pinning kits are used for all cylinders except for Small Format, which uses Best pinning kits





CRP HSK HIGH SECURITY *List Price*

ACCESSORIES

STANDARD DISCOUNT ONLY

MEETS
The Buy American Act

ILLUSTRATION	ITEM #	DESCRIPTION	PACK QUANTITY	LIST PRICE/PACK
LARGE FORMAT INTERCHANGEABLE CORE (LFIC) CYLINDER HOUSING COMPONENTS				
	LFCAMADAM-1	LFIC Adams Rite Cam	5	\$11.77
	LFCAMYALE-2	LFIC Yale Wide Cam		
	LFCAMYALE-2A	LFIC Yale Standard Cam		
	LFCAMRUSS-3	LFIC Corbin Russwin Cam		
	LFCAMFLCN-4	LFIC Falcon Cam		
	LFCAMSCHL-7	LFIC Schlage Cam		
	LFCAM105	LFIC Cal-Royal Cam (for Storeroom Function)		
	LFCAMSCRW	LFIC Cam Screw	15	3.26
MORTISE-RIM CYLINDER COMBO and Small Format IC Housing COMPONENTS (UL-LISTED)				
	ULCAMADAM-1	UL-Listed Adams Rite Cam	5	11.77
	ULCAMYALE-2	UL-Listed Yale Wide Cam		
	ULCAMYALE-2A	UL-Listed Yale Standard Cam		
	ULCAMRUSS-3	UL-Listed Corbin Russwin Cam		
	ULCAMFLCN-4	UL-Listed Falcon Cam		
	ULCAMSCHL-7	UL-Listed Schlage Cam		
	ULCAMSGNT-8	UL-Listed Sargent Offset Cam		
	CAMSCREW	Cam Screw	25	3.33
MORTISE AND KIKL CYLINDER COMPONENTS (UL-LISTED)				
	ALLNSCRW-SS	Allen Screw Stainless Steel	25	16.59
	ULMSHRMTPIN	UL-Listed Mushroom Top Pin	50	27.28
	SSBPIN0	Stainless Steel Bottom Pin#0	12	2.77
	SSBPIN1	Stainless Steel Bottom Pin#1		
	SSBPIN2	Stainless Steel Bottom Pin#2		
	SSBPIN3	Stainless Steel Bottom Pin#3		
	SSBPIN4	Stainless Steel Bottom Pin#4		
	SSBPIN5	Stainless Steel Bottom Pin#5		
	SSBPIN6	Stainless Steel Bottom Pin#6		
	SSBPIN7	Stainless Steel Bottom Pin#7		
	SSBPIN8	Stainless Steel Bottom Pin#8		
	SSBPIN9	Stainless Steel Bottom Pin#9		
OTHER ACCESSORIES				
SEE NEXT PAGE	REGCARD	High Security Plastic Registration Card	10	33.95
	KITPARTS-1	Parts Kit for CRP High Security	1	214.32
	KITSTDPIN-2	Standard Pin Kit for CRP High Security		165.92
	KITULPIN-3	UL-Pinning Kit for CRP High Security		118.08
	KITULPIN-4	UL-Parts Kit for CRP High Security		243.60
	KITSFICPARTS-5	SFIC Parts		130.41
	KITCAM5-6	Small & Large Format Cams UL & Non-UL		218.36

Standard Schlage Pinning kits are used for all cylinders except for Small Format, which uses Best pinning kits



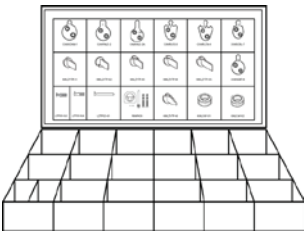
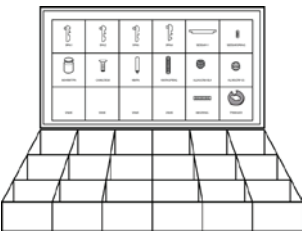
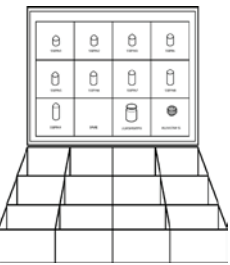
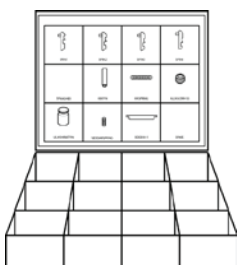
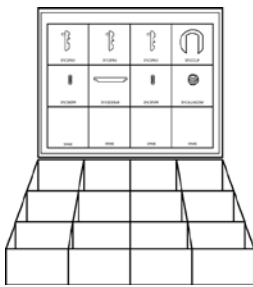
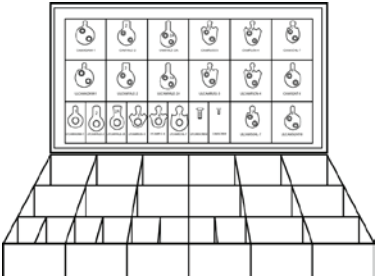
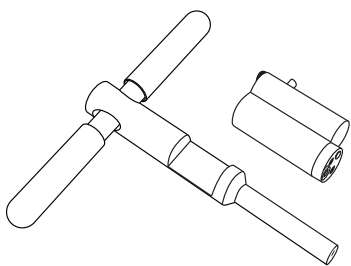


CRP HSK HIGH SECURITY *List Price*

ACCESSORIES

STANDARD DISCOUNT ONLY

MEETS
The Buy American Act

<p>KITPARTS-1 \$214.32</p>  <p>CAMADAM-1 x 10, CAMYALE-2 x 10, CAMYALE-2A x 10, CAMRUSS-3 x 10, CAMFLCN-4 x 10, CAMSCHL-7 x 10, CAMSGNT-8 x 10, KIKLCAP-01 x 10, KIKLCAP-02 x 10, RIMPACK x 2, KIKLZTP-01 x 5, KIKLZTP-02 x 5, KIKLZTP-03 x 5, KIKLZTP-04 x 5, KIKLZTP-05 x 5, KIKLZTP-06 x 5, LZTPDD-BLK x 20, LZTPDD-GLD x 20, LZTPSD-01 x 10</p>	<p>KITSTDPIN-2 \$165.92</p>  <p>ALLNSCRW-SS x 25, ALLNSCRW-BLK x 25, KIKPINSRING x 100, KIKSPRING x 25, CAMSCREW x 25, SIDEBAR-1 x 10, MSHRMPIN x 50, KIKPIN x 25, SPIN1 x 10, SPIN2 x 10, SPIN3 x 10, SPIN4 x 10, TPWASHER x 10, SIDEBARSPRING x 20</p>	
<p>KITULPIN-3 \$118.08</p>  <p>SSBPIN0 x 24, SSBPIN1 x 24, SSBPIN2 x 24, SSBPIN3 x 24, SSBPIN4 x 24, SSBPIN5 x 24, SSBPIN6 x 24, SSBPIN7 x 24, SSBPIN8 x 24, SSBPIN9 x 24, ULMSHRMPIN x 50, ALLNSCRW-SS x 25</p>	<p>KITULPIN-4 \$243.60</p>  <p>SPIN1 x 20, SPIN2 x 20, SPIN3 x 20, SPIN4 x 20, TPWASHER x 20, KIKPIN x 25, KIKSPRING x 25, ALLNSCRW-SS x 25, ULMSHRMPIN x 100, SIDEBARSPRING x 20, SIDEBAR-1 x 10</p>	<p>KITSFICPARTS-5 \$130.41</p>  <p>SFICSPIN1 x 20, SFICSPIN2 x 20, SFICSPIN3 x 20, SFICCLIP x 25, SFICSPR x 50, SFICSIDEBAR x 10, SFICSPR x 25, SFICALLNSCRW x 25</p>
<p>KITCAM-6 \$218.36</p>  <p>LFCAMADAM-1 x 5, LFCAMFLCN-4 x 5, LFCAMRUSS-3 x 5, LFCAMSCHL-7 x 5, LFCAMSCRW x 30, LFCAMYALE-2 x 5, LFCAMYALE-2A x 5, MRTSPINSRING x 50, ULCAMADAM-1 x 5, ULCAMFLCN-4 x 5, ULCAMRUSS-3 x 5, ULCAMSCHL-7 x 5, CAMSCREW x 25, ULCAMSGNT-8 x 5, ULCAMYALE-2 x 5, ULCAMYALE-2A x 5, CAMADAM-1 x 5, CAMYALE-2 x 5, CAMYALE-2A x 5, CAMRUSS-3 x 5, CAMFLCN-4 x 5, CAMSCHL-7 x 5, CAMSGNT-8 x 5</p>	<p>SHTOOL \$236.72</p>  <p>SFIC HOUSING POLL SHEAR TOOL (Used for converting regular SFIC Housing to HSK SFIC Housing)</p>	



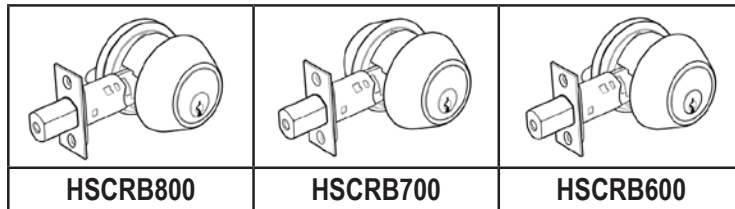


CRP HSK HIGH SECURITY LIST Price

STANDARD DISCOUNT ONLY

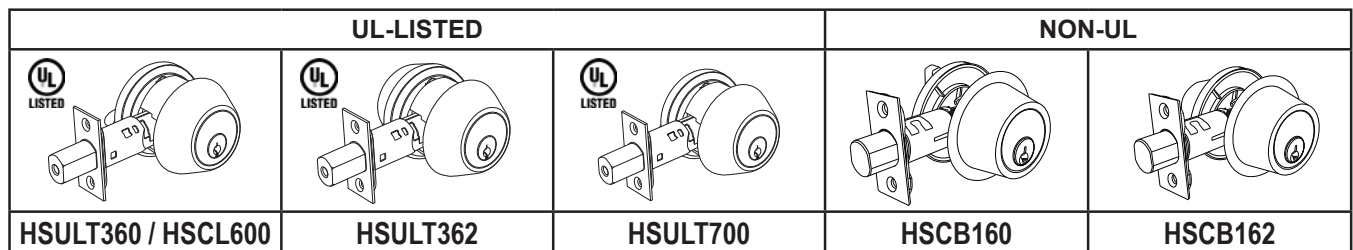
STOCK ITEM PRICES IN BOLD. NON-STOCK FINISHES AND DESIGNS AVAILABLE WITH FACTORY LEAD TIME AND SUBJECT TO MINIMUM ORDER

HSK HEAVY DUTY GRADE 1 DEADBOLTS



FUNCTION	ANSI	ITEM #	US26D	US3, 15	US10B 4, 5, 26	PCS / MC
Grade 1, UL Listed, "HSK" Keyway Single Cylinder Deadbolt	E0151	HSCRB800	\$173.36	\$173.36	\$176.49	20
Grade 1, UL Listed, "HSK" Keyway Double Cylinder Deadbolt	E0141	HSCRB700	199.94	199.94	203.05	
Classroom Deadbolt lock, Deadbolt thrown or retracted by key outside. Inside turn unit will retract bolt only. Bolt automatically deadlocks when fully thrown	E0171	HSCRB600	176.49	176.49	179.61	

HSK HEAVY DUTY GRADE 2 DEADBOLTS



FUNCTION	ANSI	ITEM #	US3	US26D	US10B	US4	US15	US10	US26	US5	PCS / MC
Heavy Duty Single Cylinder Deadbolt, UL Listed	E0152	HSULT360	\$136.43	\$136.43	\$141.47	\$150.47	\$138.06	\$136.43	\$136.43	\$139.34	20
Heavy Duty Double Cylinder Deadbolt, UL Listed	E0142	HSULT362	160.25	160.25	173.15	162.09	161.81	158.06	158.06	163.23	
Classroom deadbolt lock UL Listed	E0172	HSCL600	156.93	156.93	160.53	156.93	156.93	156.93	156.93	156.93	
One-Way Deadbolt Lock UL Listed	E1161	HSULT700	132.75	132.75	139.20	139.20	139.20	139.20	139.20	139.20	
Heavy Duty Single Cylinder Deadbolt	E0152	HSCB160	121.77	121.77	124.89	124.89	124.89	---	124.89	124.89	36
Heavy Duty Double Cylinder Deadbolt	E0142	HSCB162	137.43	137.43	140.55	140.55	140.55	---	---	140.55	

► For Keying charges see page L129





CRP COMBI KEY SYSTEM *List Price*

EXCLUSIVE PATENTED COMBINATION KEYWAY

ILLUSTRATION	ITEM #	DESCRIPTION	LIST PRICE EA.	FINISH
	KK-COS-NS (Includes 2 Keys and all Tailpieces & Caps shown)	Key-In-Knob / Lever Replacement Cylinder, 6-pin "0-bitted". Includes 2 keys / Lever Tailpiece. (other tailpieces available on request)	\$31.91	US26D
	6PUC-COS (NO keys included)	Uncombined Small Format Interchangeable Core Conventional SFIC, 6-pins. Does not include keys.	41.11	
	KM-COS-4 (Includes 2 Keys and all Tailpieces & Caps shown)	1 1/4" 6-pin "0-bitted" Mortise Cylinder. Cylinder comes with Adams Rite Cam - other cams are available as HSK. Optional Rim Conversion Package available. See page L107 (RIM PACK) . Includes 2 keys.	46.08	
	KL-COS-SC (Includes 2 Keys)	Schlage Large Format, 6-pin "0-bitted". Includes 2 keys.	65.21	
	KL-COS-YA (Includes 2 Keys)	Yale Combi 6-pin Large Format IC control key for Schlage and Yale Large Format 6-pin uncombined. Does not include keys.		
	KL-COS-SA (Includes 2 Keys)	Sargent Combi 6-pin Large Format IC control key for Schlage and Yale Large Format 6-pin uncombined. Does not include keys.		
	KL-COS-CR (Includes 2 Keys)	Corbin / Russwin Large Format uncombined. Does not include keys.		
	COSCK	Combi Control Key for LFIC (Schlage and Yale cores).	4.97	
	KP-I	Combi SFIC (Best / Falcon A-2 Pins)	8.51 / 100 pcs	
	KP-C2	Combi Large Diameter Cylinders (A-2 Pinning)		
	KP-I4	Combi SFIC (Best / Falcon A-4 Pins)		
	KP-C4	Combi Large Diameter Cylinders (A-4 Pinnings)		
	KBCOS6	Combi 6-pin key blank	3.69	
EUROPEAN PROFILE CYLINDERS				
	KE-COS-S (Includes 2 Keys)	1 3/4" (45mm) length, 6-pin standard, 0-bitted. 2 keys included. Half Cylinder	31.91	US26D
	KE-COS-D (Includes 2 Keys)	2 3/4" (70mm) length, 6-pin standard, 0-bitted. 2 keys included. Double Cylinder	63.79	
	KE-COS-C (Includes 2 Keys)	2 3/4" (70mm) length, 6-pin standard, 0-bitted. 2 keys included. Thumbturn Cylinder	53.17	

► For Keying charges see page L129





CRP COMBI PINNING KITS *List Price*



COMBI C2 / C4 Full Size Pinning Kit \$318.94 LIST
DUAL COMBI A2 / A4 / C2 / C4
Small Format & Full Size Pinning Kit \$474.86 LIST

CRP PINNING KIT FOR COMBI CYLINDERS			
KP-I	KP-I4	KP-C2	KP-C4
<ul style="list-style-type: none"> • SFIC pins for keying (same as BEST A2) 	<ul style="list-style-type: none"> • SFIC pins for keying (same as BEST A4) 	<ul style="list-style-type: none"> • Full size pins C2 large diameter cylinders 	<ul style="list-style-type: none"> • Full size pins C4 large format diameter cylinders
A2 SFIC PINS	A4 SFIC PINS	C2 FULL SIZE PINS	C4 FULL SIZE PINS
<p>(2-19) Master Pins</p> <p>KP-I-2M KP-I-8M KP-I-14M KP-I-3M KP-I-9M KP-I-15M KP-I-4M KP-I-10M KP-I-16M KP-I-5M KP-I-11M KP-I-17M KP-I-6M KP-I-12M KP-I-18M KP-I-7M KP-I-13M KP-I-19M</p>	<p>(1-11) Master Pins</p> <p>• KP-I4-1M • KP-I4-6M • KP-I4-2M • KP-I4-8M • KP-I4-3M • KP-I4-9M • KP-I4-4M • KP-I4-10M • KP-I4-5M • KP-I4-11M</p>	<p>(2-9) Master Pins</p> <p>• KP-C2-2M • KP-C2-6M • KP-C2-3M • KP-C2-7M • KP-C2-4M • KP-C2-8M • KP-C2-5M • KP-C2-9M</p>	<p>(1-5) Master Pins</p> <p>• KP-C4-1M • KP-C4-2M • KP-C4-3M • KP-C4-4M • KP-C4-5M</p>
<p>(0-9) Bottom Pins</p> <p>• KP-I-0B • KP-I-5B • KP-I-1B • KP-I-6B • KP-I-2B • KP-I-7B • KP-I-3B • KP-I-8B • KP-I-4B • KP-I-9B</p>	<p>(0-5) Bottom Pins</p> <p>• KP-I4-0B • KP-I4-3B • KP-I4-1B • KP-I4-4B • KP-I4-2B • KP-I4-5B</p>	<p>(0-9) Bottom Pins</p> <p>• KP-C2-0B • KP-C2-5B • KP-C2-1B • KP-C2-6B • KP-C2-2B • KP-C2-7B • KP-C2-3B • KP-C2-8B • KP-C2-4B • KP-C2-9B</p>	<p>(0-5) Bottom Pins</p> <p>• KP-C4-0B • KP-C4-3B • KP-C4-1B • KP-C4-4B • KP-C4-2B • KP-C4-5B</p>
ACCESSORIES			
KIKLCAP-01 KIKLCAP-02 LZTPSD-01 LZTPDD-01 LZTPDD-02 TPWASHER	KIKLZTP-01 KIKLZTP-02 KIKLZTP-03 KIKLZTP-04 KIKLZTP-05 KIKLZTP-06		
<p>KT-H-PK</p> <ul style="list-style-type: none"> • KIKLCAP-01 • KIKLCAP-02 • LZTPSD-01 • LZTPDD-01 • LZTPDD-02 • TPWASHER 	<div style="border: 1px solid black; padding: 5px; text-align: center;"> <p>SEE PAGE L123 FOR PRICING</p> </div> <ul style="list-style-type: none"> • KIKLZTP-01 • KIKLZTP-02 • KIKLZTP-03 • KIKLZTP-04 • KIKLZTP-05 • KIKLZTP-06 	<p>KBCOS6 COMBI 6-pin key blank</p>	<p>COSCK COMBI 6-pin Large Format IC control key for Schlage and Yale</p>





KEYS & KEYING ...

For Commercial Grade Locksets

STANDARD DISCOUNT ONLY
NO ADDITIONAL DISCOUNT ALLOWED

COMMERCIAL LOCKSETS, CONVENTIONAL CYLINDER KEYING CHARGES (NOT INCLUDING RESIDENTIAL LOCKSETS)

ITEM #	DESCRIPTION	LIST PRICE
KA	Key Alike / 0-bitted	5.54 / cylinder
MK	Master Keying (Including KA charges)	11.06 / cylinder
GMK	Grand Master Keying (Including KA & MK charges)	14.18 / cylinder
GGMK	Grand Grand Master Keying (Including KA & MK charges)	19.15 / cylinder
CMK	Construction Master Keying (Including KA & MK charges) N/A on HSK & COMBI	17.36 / cylinder
KM	Key Marking letters or numbers (AA1, AA2, ...) on key bow or cylinder core	4.19 / key
DND	Do Not Duplicate	2.70 / key
CMARK	Cylinder Marking	4.97 / cylinder
ECK	Extra Cut Key (2 keys standard per lock)	2.55 / key
CECK	Extra Cut Combi Keys (2 keys standard per lock)	6.67 / key
HECK	Extra Cut High Security Keys (2 keys standard per lock) HSK	9.51 / key
CRSC15	Schlage "C" Key Blanks (5 pins)	0.72 / key
CRSC16	Schlage "C" Key Blanks (6-pins)	
CRKW1	Kwikset Key Blanks (5 pins)	

2nd / 3rd Level keying systems will require additional charges
REQUEST QUOTE

◆ KEYING KITS		
KKC100	Keying Kit - "C" Keyway	168.68 each
KKWI200	Keying Kit - KWI Keyway	

See Keying Policies at our website regarding keying systems

COMMERCIAL LOCKSETS INTERCHANGEABLE CORE (LFIC, SFIC) KEYS & KEYING CHARGES

ICKA	Key Alike / 0-bitted	18.01 / cylinder
ICMK	Master Keying (Including KA charges)	
ICGMK	Grand Master Keying (Including KA & MK charges)	21.20 / cylinder
ICGGMK	Grand Grand Master Keying (Including KA, MK & GMK charges)	24.31 / cylinder
IECK	SFIC & LFIC Extra Cut Keys	5.25 / key
CONKEY	Extra Cut Control Keys for Best Falcon and Arrow	
CONKEY-1	Extra Cut Control Keys for Schlage "C"	
CONKEY-2	Extra Cut Control Keys for Schlage "E"	
CONKEY-3	Extra Cut Control Keys for Yale "GA"	6.39 / key
KB-LF-GA	Control Key Blank for Yale "GA"	4.25 / key
KB-LF-SC	Control Key Blank for Schlage "C"	3.18 / key
KB-LF-SE	Control Key Blank for Schlage "E"	

Two control keys are supplied with each Masterkey System at no charge

For HSK, CRL, CRS and COMBI Cylinders see HSK Service Manual on our website

OTHER ACCESSORIES

ITEM #	DESCRIPTION	LIST PRICE
PDBFLS	Plastic Dust box for Full Lip Strike	\$1.98
PDB1214	Plastic Dust box for Residential Deadbolt Strike	
PDBTS	Plastic Dust box for T-Strike	
PDB118234	Plastic Dust box for Deadbolt T2STRK Strike	
PDB478	Plastic Dust box for ASA Strike	3.90
LFA18	Latch front adapter to convert 1" plate to 1 1/8" wide door preparations (Clear)	0.43





RESIDENTIAL KEYING *List Price*

STANDARD DISCOUNT ONLY

KEYING CHARGES		
ITEM #	DESCRIPTION	LIST PRICE
KARES	Key alike	\$3.47
MKRES	Master key (Including KA charges)	4.40
CMKRES	Builder construction master key (Including KA & MK Charges)	6.10
GMKRES	Grand master key (Including KA, MK)	7.88

